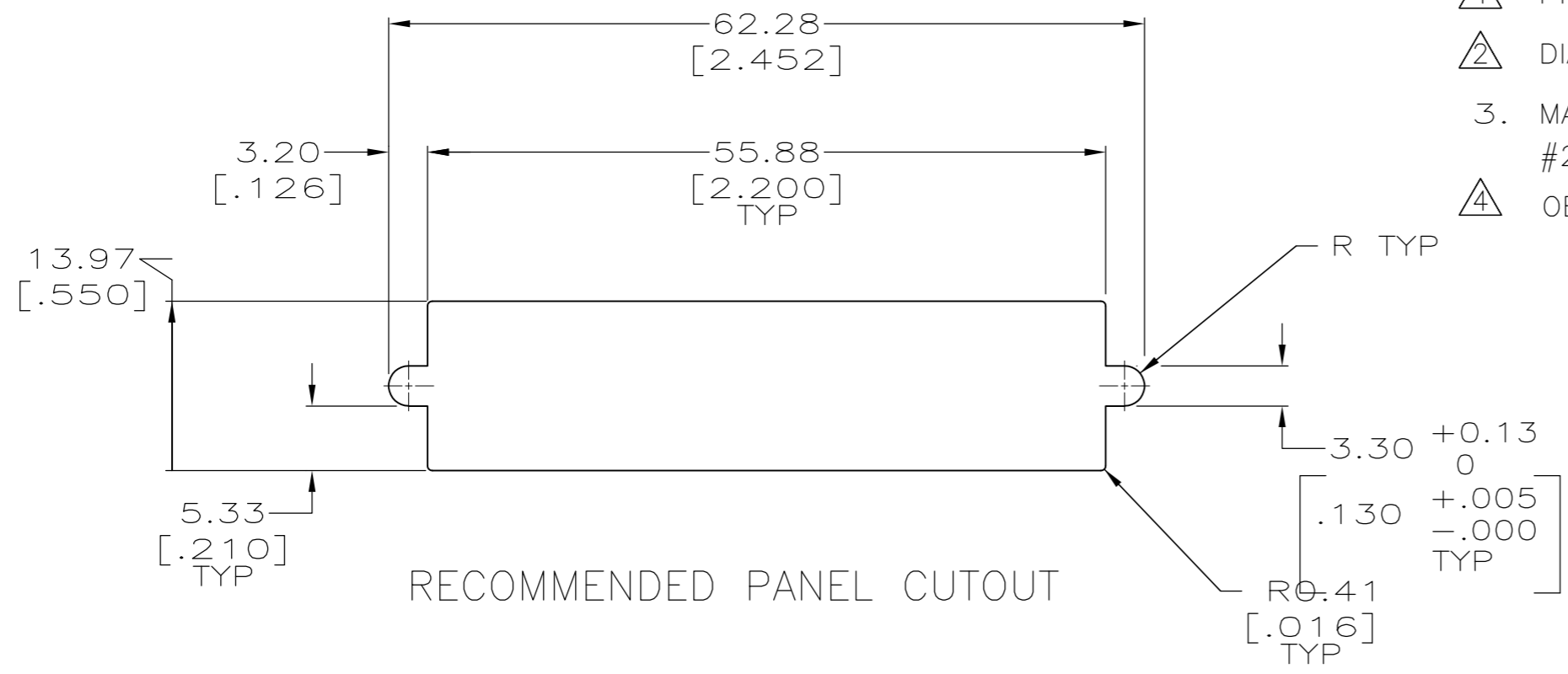
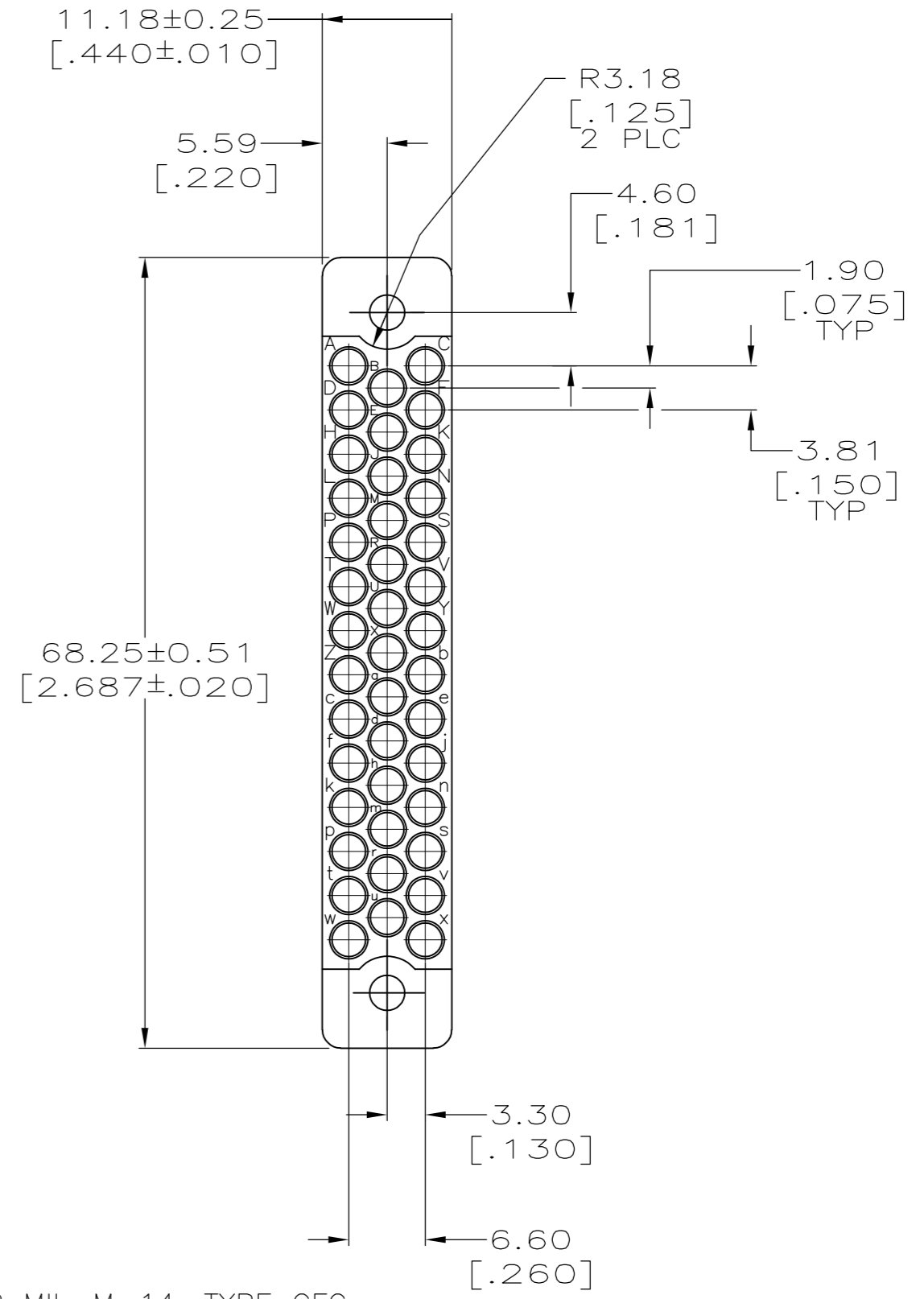
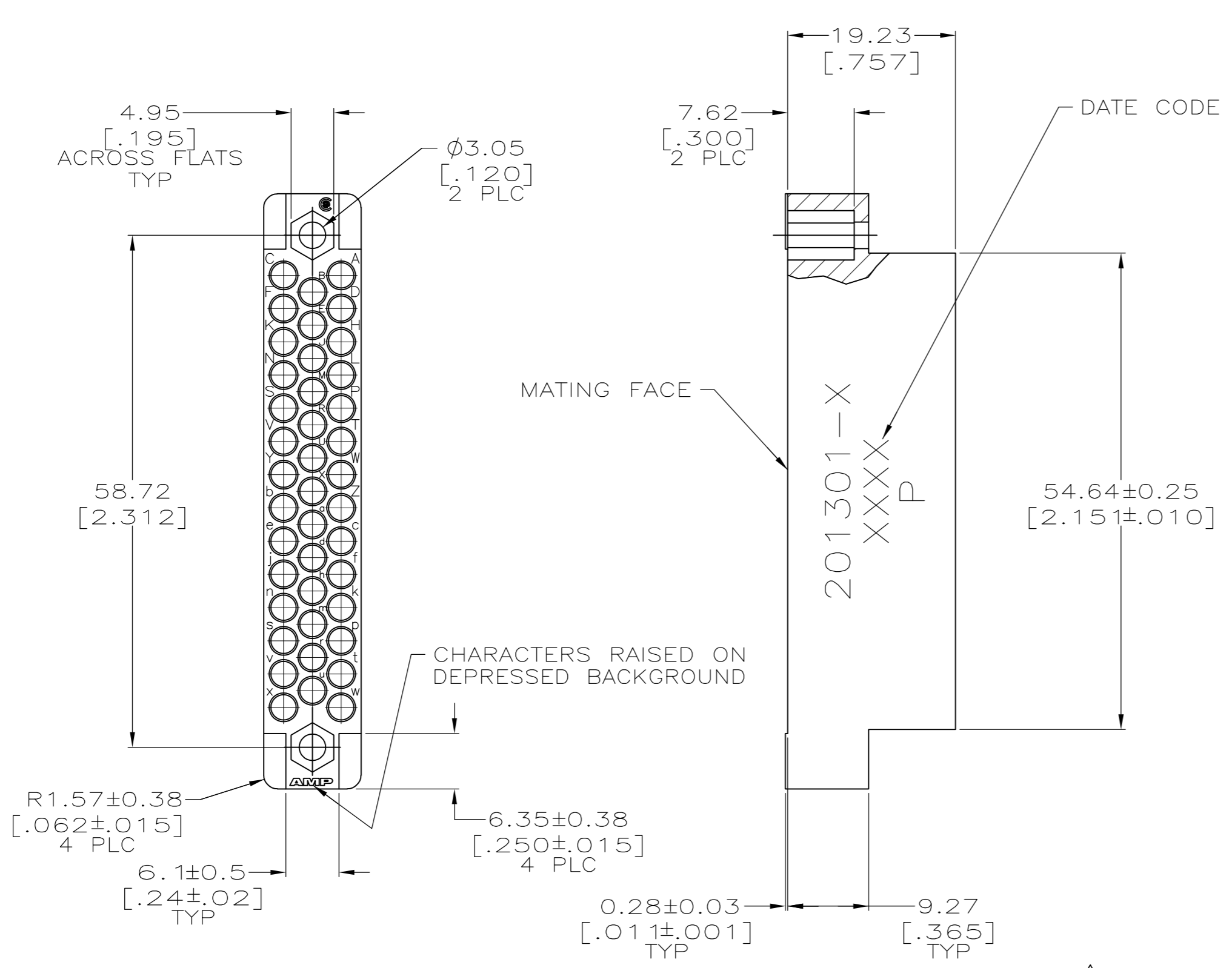


LOC	DIST	REVISIONS			
P	LTR	DESCRIPTION	DATE	DWN	APVD
		W	REDRAWN W/O CHANGE PER EC 0020-1300-95	21 FEB 96	-
		W1	REVISED PER ECO-09-020935	09SEP09	KK AEG



- ① PHENOLIC, BLACK, PER MIL-M-14, TYPE CFG.
- ② DIALYL PHTHALATE, BLUE, PER MIL-M-14, TYPE SDG-F.
- 3. MATES WITH BLOCK 201302 AND ACCOMODATES TYPE II #20 CONTACTS.
- ④ OBSOLETE PARTS: OBSOLETE CIS STREAMLINING PER D.RENAUD/D.SINISI

MATERIAL	PART NUMBER
④ OBSOLETE	② 201301-2
	① 201301-1

THIS DRAWING IS A CONTROLLED DOCUMENT FOR AMP INCORPORATED. IT IS SUBJECT TO CHANGE AND THE CONTROLLING ENGINEERING ORGANIZATION SHOULD BE CONTACTED FOR THE LATEST REVISION.		DWN C.REIFSNYDER 21 FEB 96	AMP Incorporated Harrisburg, PA 17105-3608	
DIMENSIONS: mm [INCHES]		CHK R.STONE 29 FEB 96	BLOCK, MALE, 41 PLACE, MINIATURE RECTANGULAR, M SERIES	
TOLERANCES UNLESS OTHERWISE SPECIFIED: 0 PLC ±- 1 PLC ±- 2 PLC ±0.13 [.005] 3 PLC ±- 4 PLC ±- ANGLES ±- FINISH -		APVD G.A.STEINHAUER 20 MAR 96	NAME	
MATERIAL SEE TABLE		PRODUCT SPEC	SIZE	CAGE CODE
		APPLICATION SPEC	A2	00779
		WEIGHT	DRAWING NO C-201301	
		CUSTOMER DRAWING	SCALE	SHEET
			2:1	1 OF 1