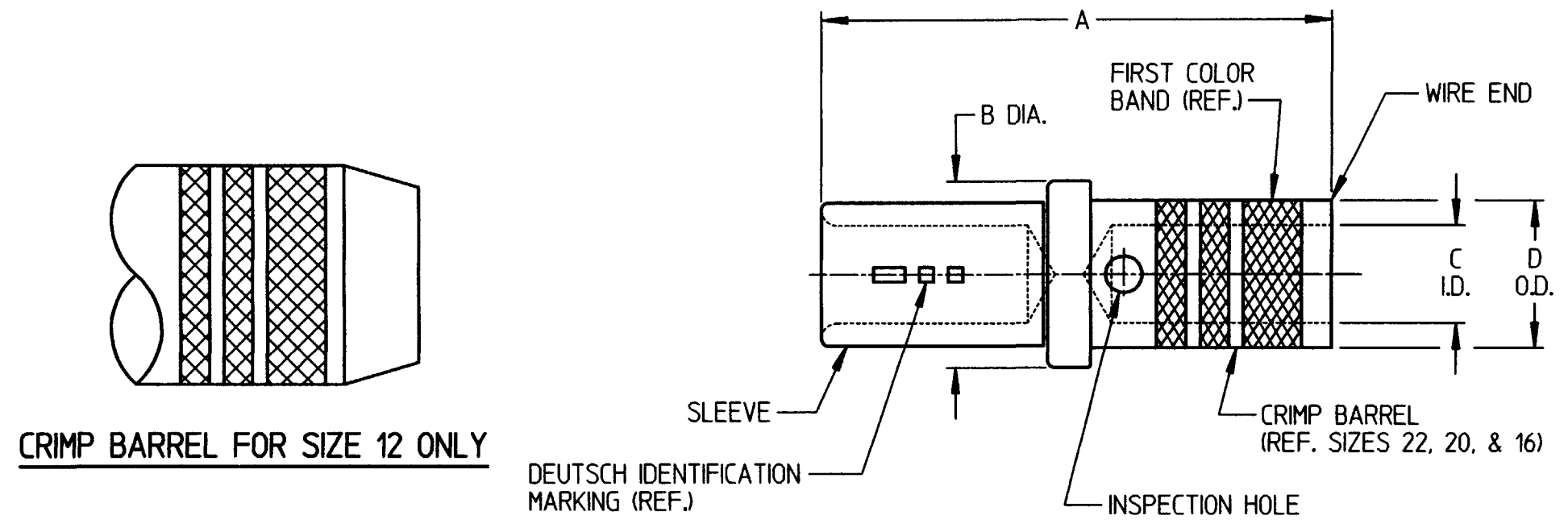


PROPERTY OF DEUTSCH E.C.D.
 This drawing contains proprietary information that shall not be disclosed, duplicated, nor used in whole or in part for any purpose other than to evaluate this drawing.

L 1625-1-0000

REVISIONS			
REV	DESCRIPTION	DATE	APPROVED
L	REVISED PER E.O. C2164	11-13-95	B.J.H.



SIZE	DEUTSCH PART NO.	EQUIVALENT MILITARY PART NO.	COLOR BANDS			A MAX	B MAX	C MIN	D MAX	WEIGHT (LBS.)	WIRE GAGE RANGE	CRIMP TOOL	CRIMP TOOL POSITIONER	STRIP LENGTH	INSERTION/REMOVAL TOOL	UNWIRED REMOVAL TOOL
			FIRST	SECOND	THIRD											
22	CTS-S22/22	M39029/22-191	BROWN	WHITE	BROWN	.336	.0615	.0335	.048	.00011	22 THRU 26	MH860 (M22520/7-01)	86-19 (M22520/7-11)	.207 ± .030	M81969/14-01	81517-23
20	CTS-S20/20	M39029/22-192	BROWN	WHITE	RED	.358	.094	.046	.070	.00027	20 THRU 24	MH860 (M22520/7-01) AF8 (M22520/1-01)	86-20 (M22520/7-12) TH343 (RED)	.207 ± .030	M81969/14-10	M15574-20
16	CTS-S16/16	M39029/22-193	BROWN	WHITE	ORANGE	.358	.130	.066	.103	.00050	16 THRU 20	MH860 (M22520/7-01) AF8 (M22520/1-01)	86-21 (M22520/7-13) TH343 (BLUE)	.207 ± .030	M81969/14-03	M15574-16
12	CTS-S12/12	M39029/22-605	BLUE	BLACK	GREEN	.455	.171	.096	.152	.00145	12, 14	AF8 (M22520/1-01)	TP405 OR TH343 (YELLOW)	.225 ± .020	M81969/16-03 M81969/8-10	M15574-16

- ⚠ THE SAME UNWIRED TOOL IS USED FOR SIZE 16 & 12 CONTACTS. THIS TOOL IS A KIT ASSEMBLY & FEATURES SEPARATE TIPS.
3. FINISH: SOCKET BODY - GOLD PER MIL-G-45204, TYPE II, CLASS 1, OVER A SUITABLE UNDERPLATING, EXCLUDING SILVER.
 SOCKET SLEEVE - PASSIVATED.
 2. MATERIAL: SOCKET BODY - COPPER ALLOY PER MIL-C-39029, TYPE A.
 SOCKET SLEEVE - STAINLESS STEEL.
 1. DIMENSIONS ARE IN INCHES UNLESS OTHERWISE SPECIFIED.

SIGNATURE & DATE	
DR	LASHWAY 5-7-81
CHK	TIM HOLT 5-11-81
PE	MAC DONALD 5-7-81
APPD	
SCALE	NONE WT SEE TAB

SOCKET CONTACT INFORMATION DRAWING
 CRIMP TYPE
 SIZE 22 THRU 12
 FOR CTJ SERIES MODULE
 ENVELOPE

CP	MATL CODE
DEUTSCH ENGINEERED CONNECTING DEVICES 36033 Whittier Ave. Hemet, California	
B DWG SIZE	1625-1-0000
CODE 11139	SHEET 1 OF 1

1625-1-0000-L