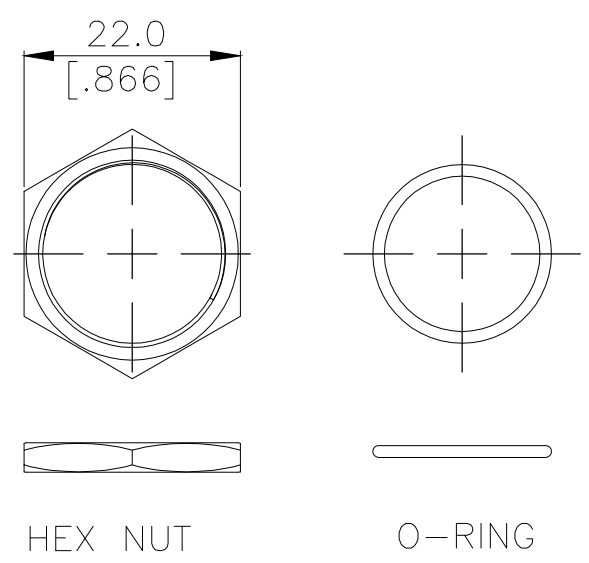
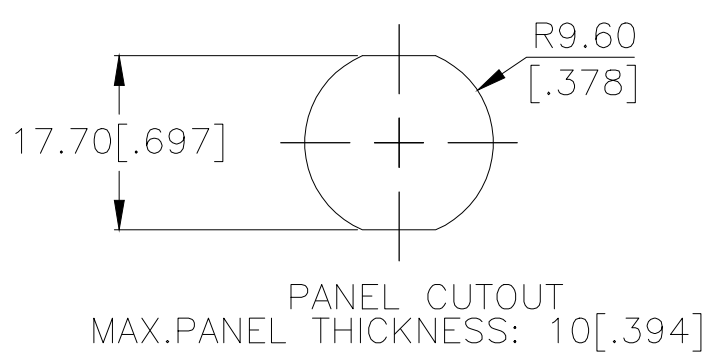
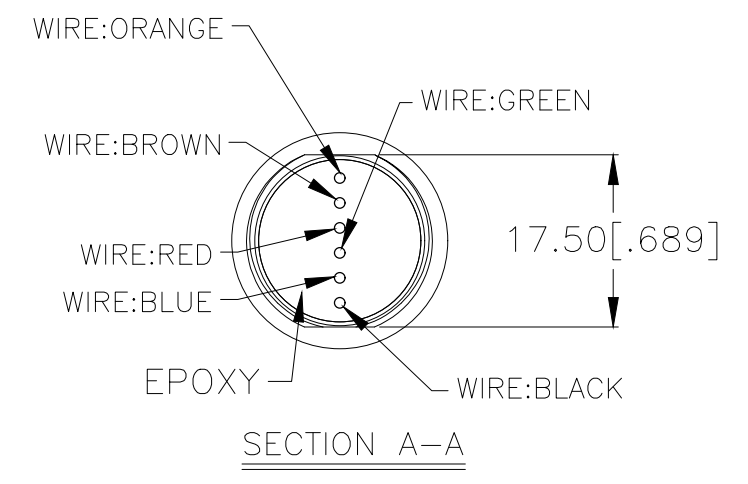
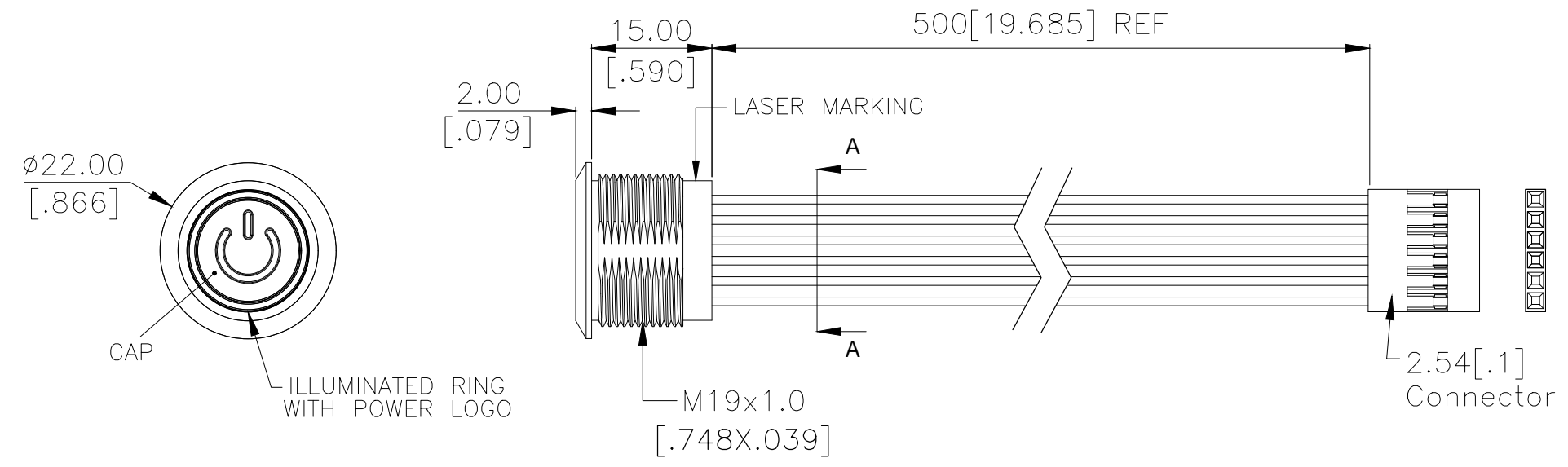
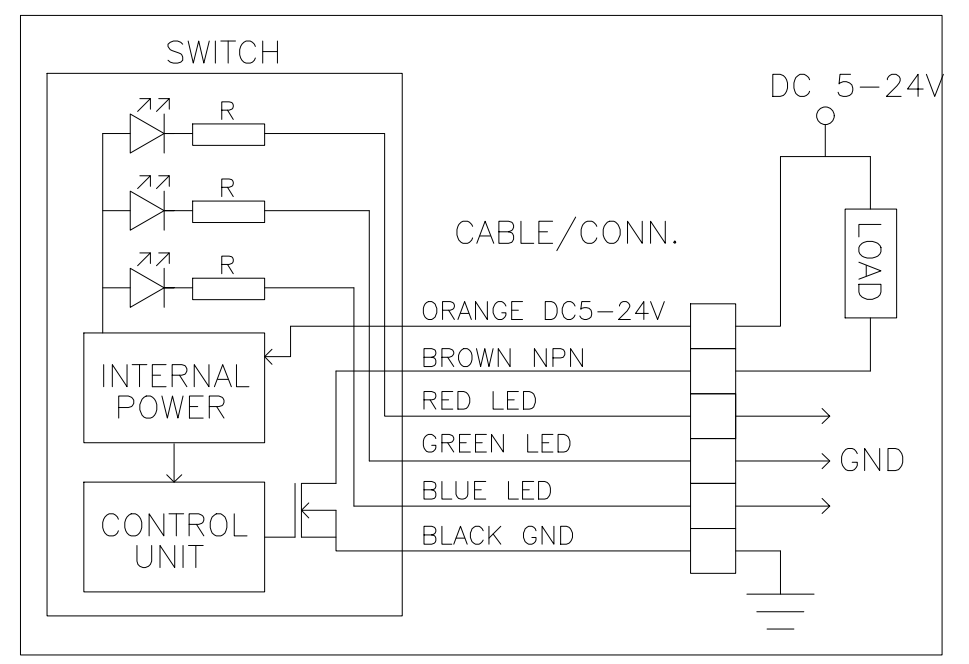


THIS DRAWING IS UNPUBLISHED. RELEASED FOR PUBLICATION
 © COPYRIGHT - TE Connectivity Ltd. ALL RIGHTS RESERVED.

P	LTR	DESCRIPTION	DATE	DWN	APVD
1		NEW DRAWING	28SEP2018	GCM	AS



INDICATOR			
SWITCH	LED		
	RED	GREEN	BLUE
OFF	USER		
ON	USER		



APPLICABLE FOR TE P/N:

2342835-1
2342835-3
2342835-5
2342835-7
2342835-8
2342835-9

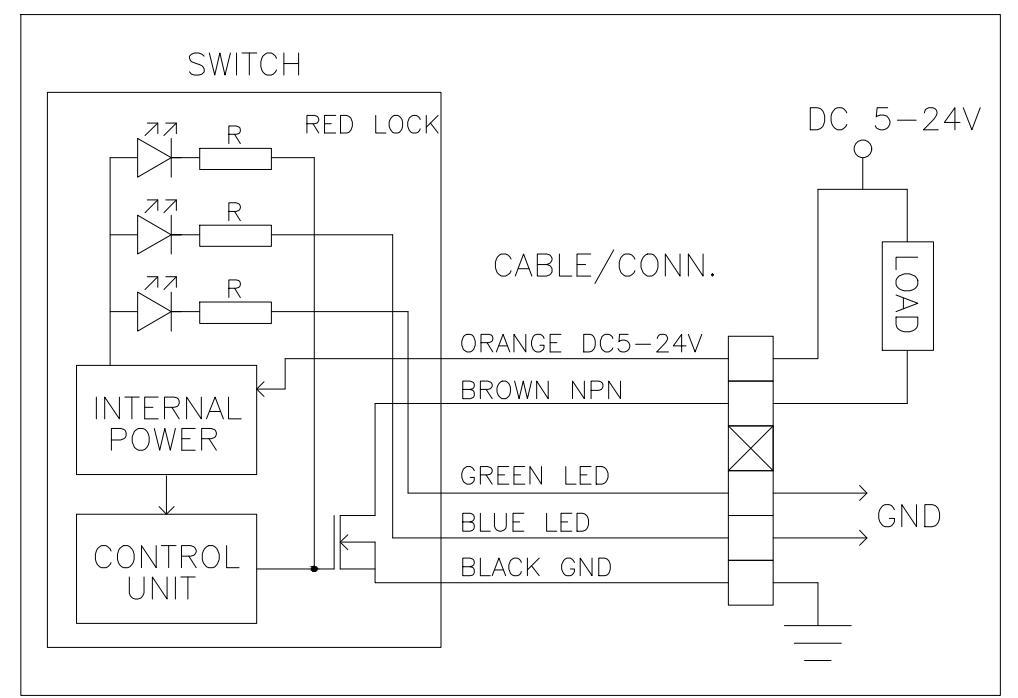
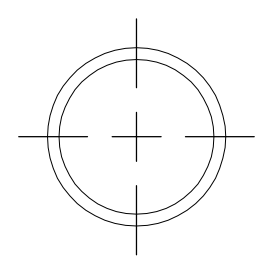
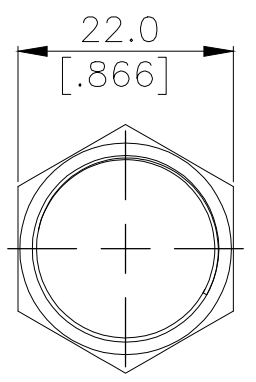
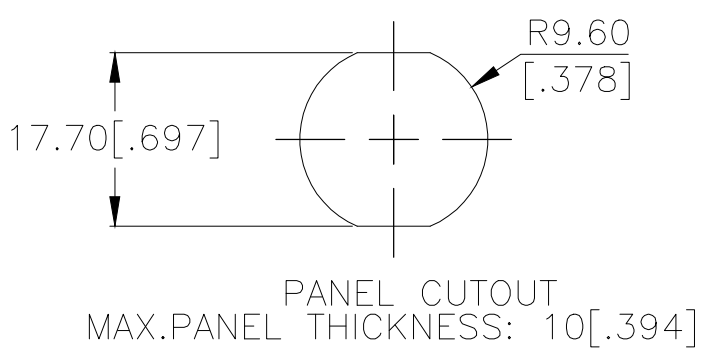
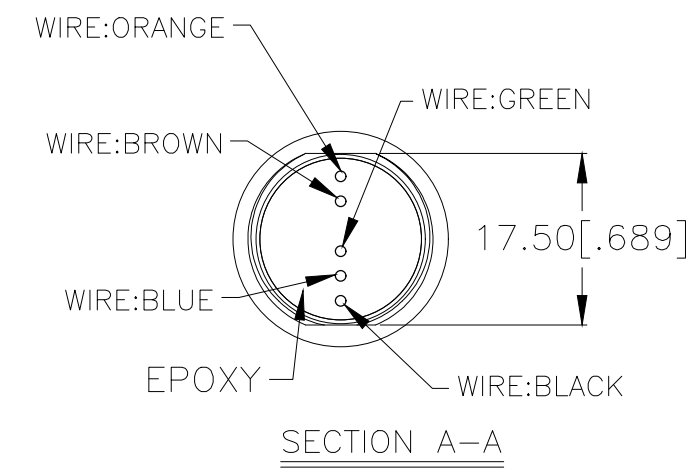
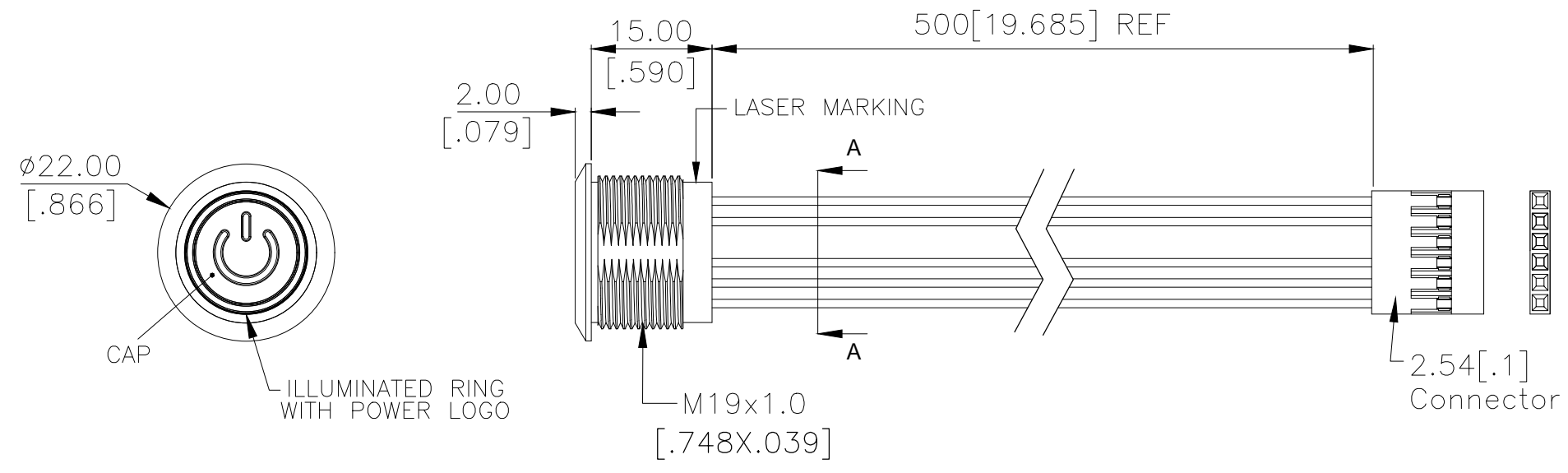
THIS DRAWING IS A CONTROLLED DOCUMENT.

DIMENSIONS: mm [INCHES]	TOLERANCES UNLESS OTHERWISE SPECIFIED: 0 PLC ± - 1 PLC ± - 2 PLC ± - 3 PLC ± - 4 PLC ± - ANGLES ± -	DWN: GANESH C M 29SEP2018 CHK: ALEXANDER SHARPE 29SEP2018 APVD: ALEXANDER SHARPE 29SEP2018			
MATERIAL	FINISH	PRODUCT SPEC	SWITCH,AV,CAPACITIVE,19mm,FL BTN, ILLUM RING W/POWER LOGO,LED, LEADED W/1x6 REC		
		APPLICATION SPEC	SIZE: A3	CAGE CODE: 00779	DRAWING NO: C-2342835
		WEIGHT	CUSTOMER DRAWING		RESTRICTED TO: -
			SCALE: NTS	SHEET: 1 OF 3	REV: 1

PRELIMINARY

THIS DRAWING IS UNPUBLISHED. RELEASED FOR PUBLICATION
 © COPYRIGHT - TE Connectivity Ltd. ALL RIGHTS RESERVED.

REVISIONS					
P	LTR	DESCRIPTION	DATE	DWN	APVD
-	-	SEE SHEET 1	-	-	-



APPLICATION DIAGRAM

APPLICABLE FOR TE P/N:
2342835-2
2342835-4
2342835-6

THIS DRAWING IS A CONTROLLED DOCUMENT.

DIMENSIONS: mm [INCHES]	TOLERANCES UNLESS OTHERWISE SPECIFIED:
	0 PLC ± -
	1 PLC ± -
	2 PLC ± -
	3 PLC ± -
	4 PLC ± -
	ANGLES ± -
MATERIAL	FINISH
-	-

DWN	29SEP2018
GANESH C M	
CHK	29SEP2018
ALEXANDER SHARPE	
APVD	29SEP2018
ALEXANDER SHARPE	
PRODUCT SPEC	-
APPLICATION SPEC	-
WEIGHT	-
CUSTOMER DRAWING	



NAME			
SWITCH,AV,CAPACITIVE,19mm,FL BTN, ILLUM RING W/POWER LOGO,LED, LEADED W/1x6 REC			
SIZE	CAGE CODE	DRAWING NO	RESTRICTED TO
A3	00779	C-2342835	-
SCALE	SHEET	REV	
NTS	2 of 3	1	

PRELIMINARY

THIS DRAWING IS UNPUBLISHED.

RELEASED FOR PUBLICATION

- . - .

REVISIONS

© COPYRIGHT - TE Connectivity Ltd.

ALL RIGHTS RESERVED.

P	LTR	DESCRIPTION	DATE	DWN	APVD
-	-	SEE SHEET 1	-	-	-

NOTES:

1. SPECIFICATIONS:
 1. OPERATING LIFE: 50 MILLION CYCLE MIN.
 2. CONTACT RESISTANCE: 1Ω MAX.
 3. OPERATING TEMPERATURE: -20°C to 65°C
2. MATERIAL:
 1. SEALING: SILICONE, EPOXY
 2. O-RING: SILICONE
 3. HEX NUT: NICKEL PLATED BRASS
3. PACKAGING:

SWITCH ASSEMBLIES ARE INDIVIDUALLY BUNDLED.
HARDWARE IS NOT ASSEMBLED TO THE SWITCHED.
4. COMPLIANCE:

ALL MATERIALS AND FINISHES SHALL COMPLY WITH EU DIRECTIVE
2002/95/EC OF 27 JAN2003(ROHS).
5. HARDWARE IS SHIPPED UNASSEMBLED.

PC; STAINLESS STEEL	STAINLESS STEEL 316	RGB	MOMENTARY	AVC19MS16FE1DT5A04	2342835-9
PC; STAINLESS STEEL	STAINLESS STEEL 304	RGB	MOMENTARY	AVC19MS04FE1DT5A04	2342835-8
PC; ALUMINUM	ALUMINUM	RGB	MOMENTARY	AVC19MAIOFE1DT5A04	2342835-7
PC; STAINLESS STEEL	STAINLESS STEEL 316	RED LOCK	LOCKING	AVC19LS16FE13T5A04	2342835-6
PC; STAINLESS STEEL	STAINLESS STEEL 316	RGB	LOCKING	AVC19LS16FE1DT5A04	2342835-5
PC; STAINLESS STEEL	STAINLESS STEEL 304	RED LOCK	LOCKING	AVC19LS04FE13T5A04	2342835-4
PC; STAINLESS STEEL	STAINLESS STEEL 304	RGB	LOCKING	AVC19LS04FE1DT5A04	2342835-3
PC; ALUMINUM	ALUMINUM	RED LOCK	LOCKING	AVC19LAI0FE13T5A04	2342835-2
PC; ALUMINUM	ALUMINUM	RGB	LOCKING	AVC19LAI0FE1DT5A04	2342835-1
CAP MATERIAL	BUSHING MATERIAL	LED COLOR	CONTACT CONFIGURATION	TE SMART PART NUMBER	PART NUMBER

THIS DRAWING IS A CONTROLLED DOCUMENT.

DWN 29SEP2018 GANESH C M

CHK 29SEP2018 ALEXANDER SHARPE

APVD 29SEP2018 ALEXANDER SHARPE

PRODUCT SPEC

APPLICATION SPEC

WEIGHT

CUSTOMER DRAWING



NAME SWITCH,AV,CAPACITIVE,19mm,FL BTN, ILLUM RING W/POWER LOGO,LED, LEADED W/1x6 REC

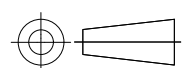
SIZE CAGE CODE DRAWING NO RESTRICTED TO

A3 00779 C-2342835

SCALE NTS SHEET 3 of 3 REV 1

DIMENSIONS: mm [INCHES]

TOLERANCES UNLESS OTHERWISE SPECIFIED:



- 0 PLC ± -
- 1 PLC ± -
- 2 PLC ± -
- 3 PLC ± -
- 4 PLC ± -
- ANGLES ± -

MATERIAL FINISH

- -

PRELIMINARY