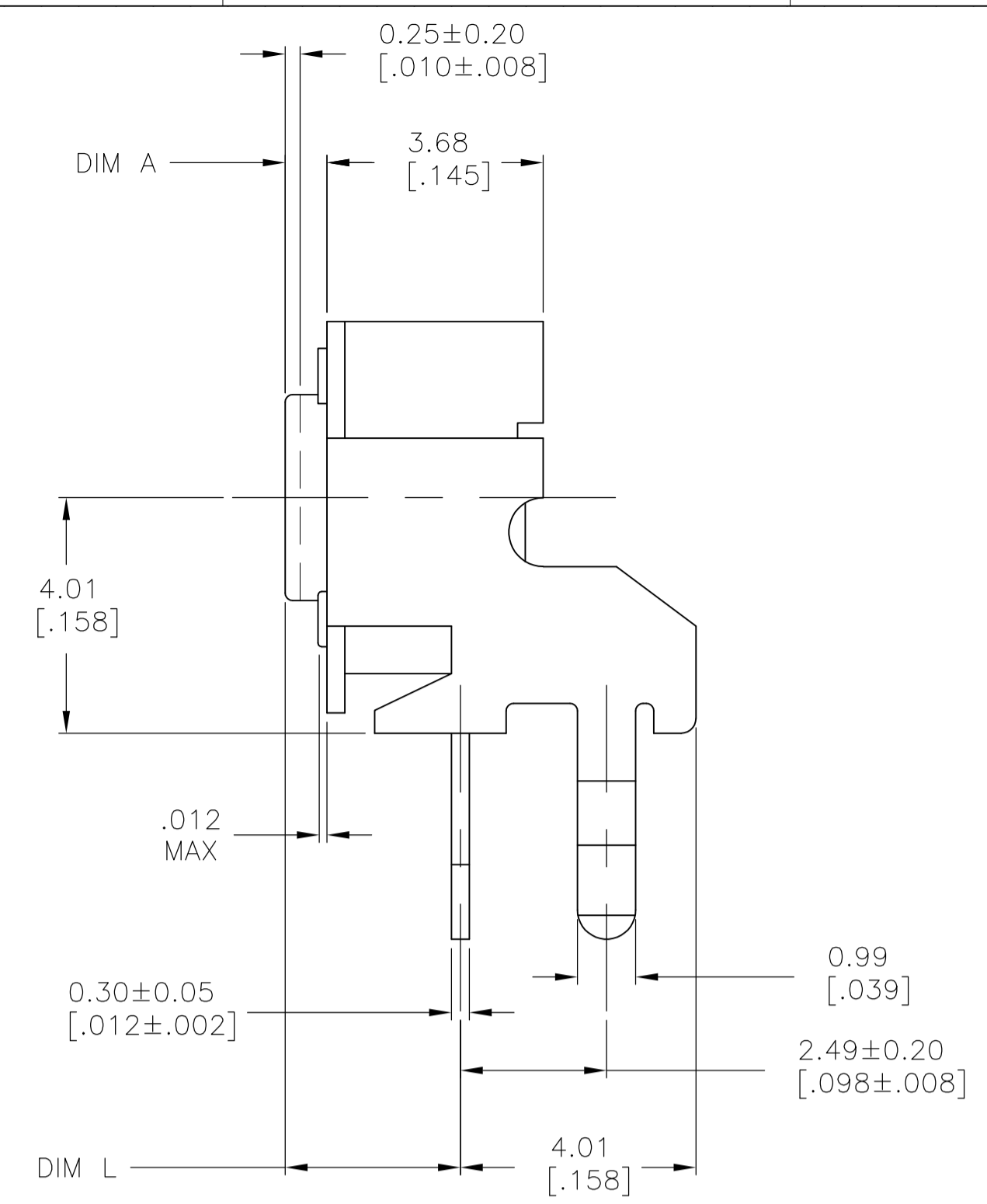
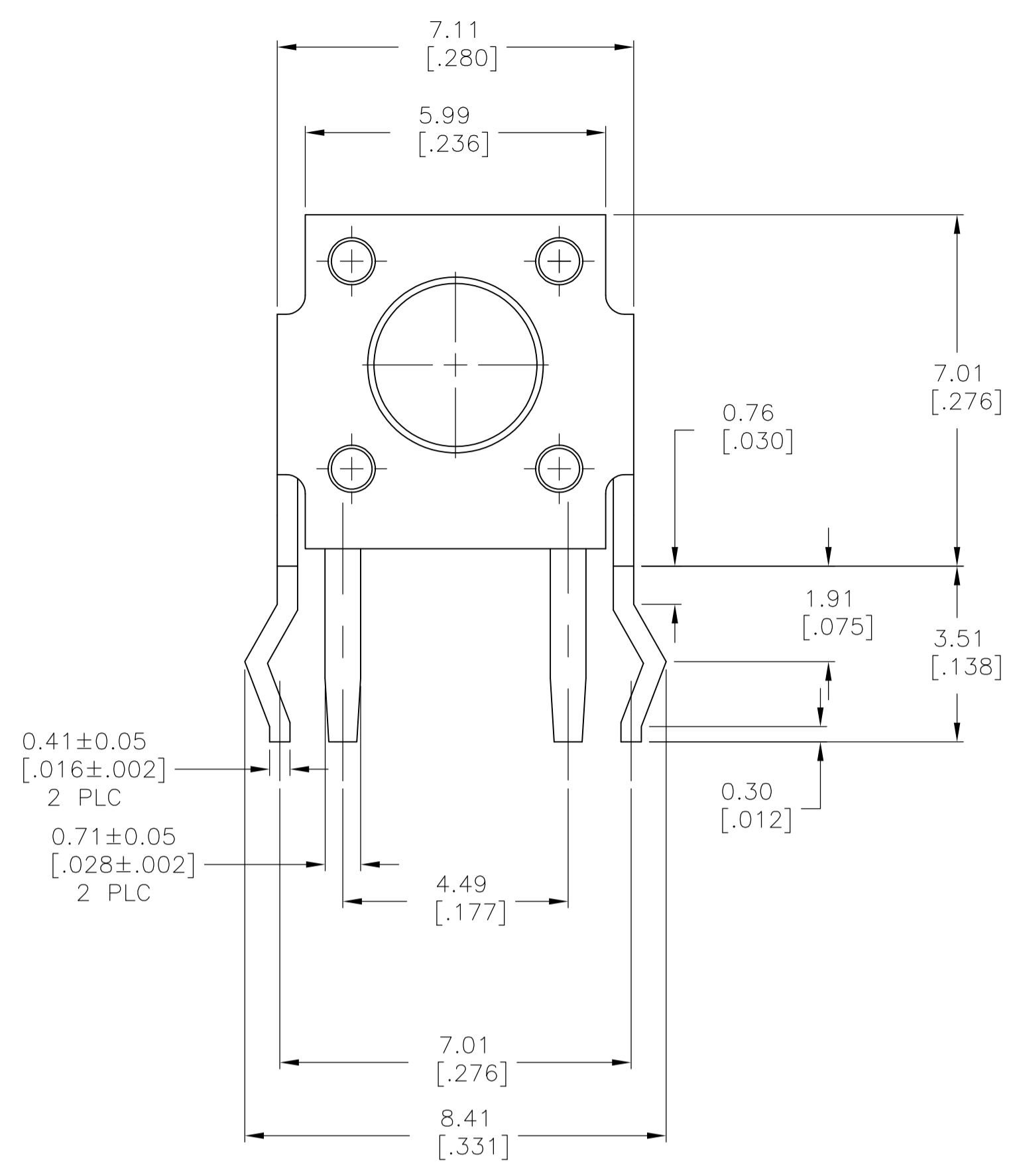


REVISIONS					
P	LTR	DESCRIPTION	DATE	DMN	APVD
B2	REVISED PER	ECO-17-002273	10OCT2017	RK	AS



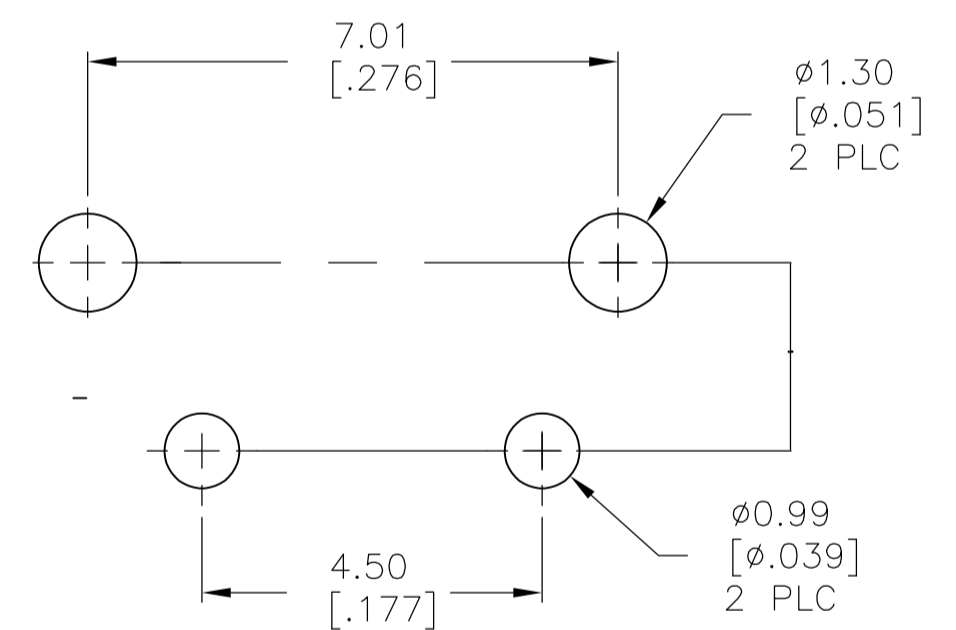
CASE: PPS, UL94V-0, BROWN
 FRAME/BACKET: STEEL, TIN OVER NICKEL
 ACTUATOR BUTTON: PPS OR PA6T (SEE TABLE), UL94V-0, COLOR SEE TABLE
 MOVING CONTACT: COPPER ALLOY, SILVER PLATE
 FIXED CONTACT/TERMINALS: COPPER ALLOY, SILVER OVER NICKEL PLATE

ELECTRICAL:
 MAX CONTACT RATING: 50MILLIAMPS@24V DC
 MIN CONTACT RATING: 10MICROAMPS@1V DC
 INITIAL CONTACT RESISTANCE: 50 MILLIOHMS MAX
 INSULATION RESISTANCE: 100 MEGOHMS @ 100 VDC MIN.
 DIELECTRIC STRENGTH: 500 VAC 50/60 Hz FOR 1 MINUTE
 LIFE EXPECTANCY: 100,000 CYCLES

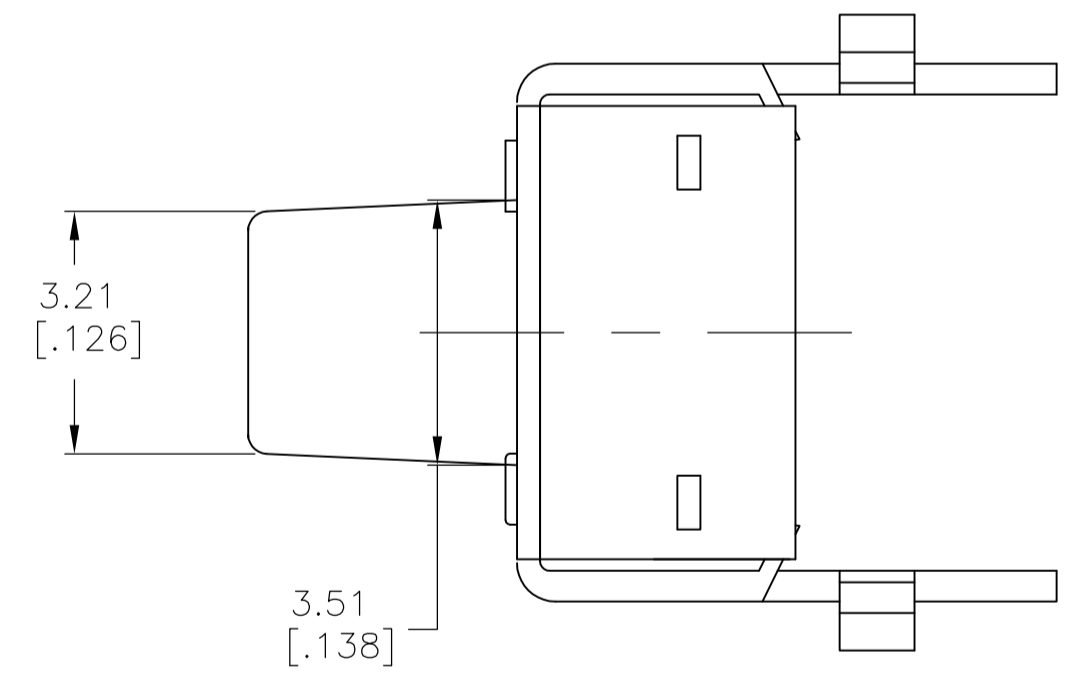
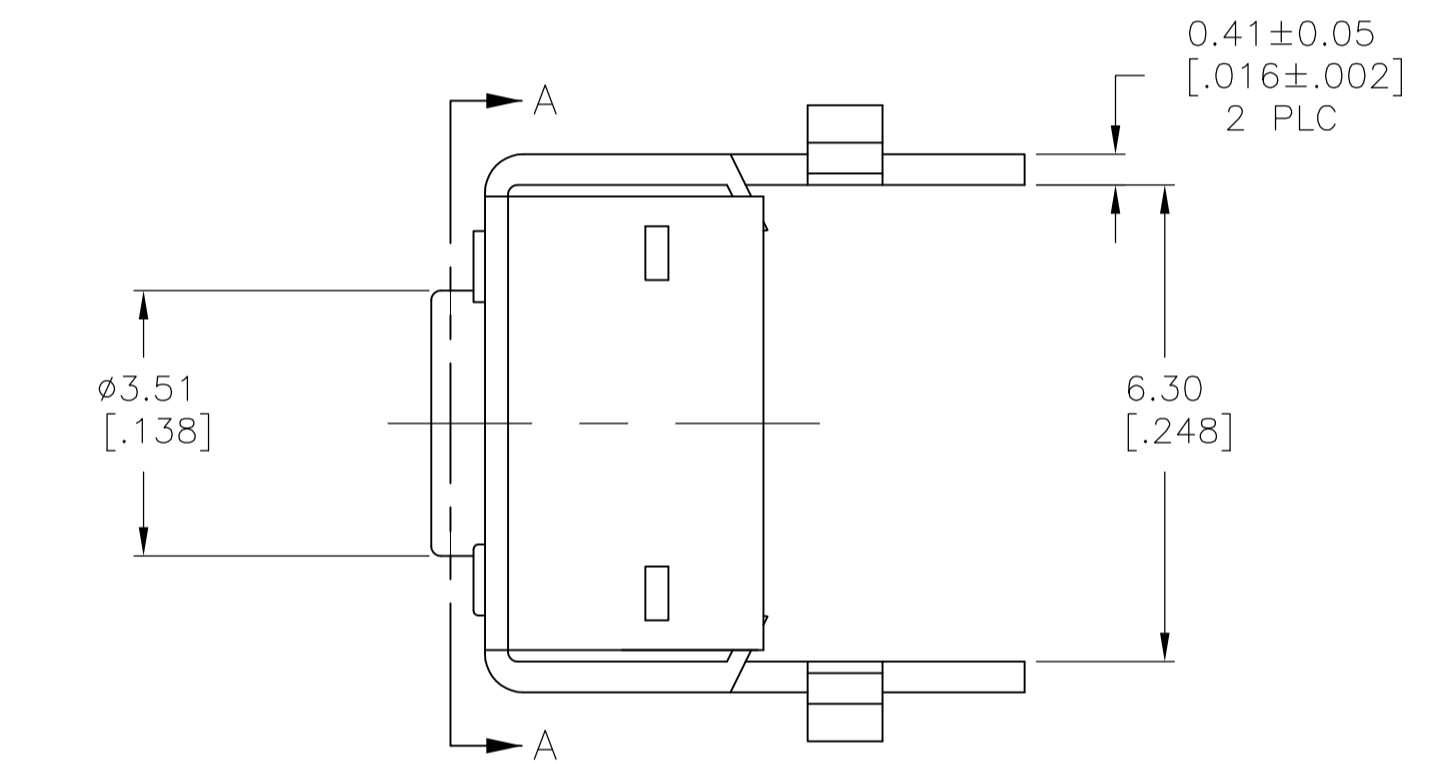
MECHANICAL:
 ACTUATION FORCE: SEE TABLE
 ACTUATION TRAVEL: .010±.008

ENVIRONMENTAL:
 OPERATING TEMPERATURE: -35°C TO +85°C
 STORAGE TEMPERATURE: -35°C TO +85°C
 SOLDER HEAT RESISTANCE PER 109-201 COND B
 SOLDERABILITY PER EIA-364-52 CLASS 1, CATEGORY 2

1 ALL MATERIALS AND FINISHES SHALL COMPLY WITH EH DIRECTIVE 2002/95/EC OF 27 JAN 2003 (ROHS)

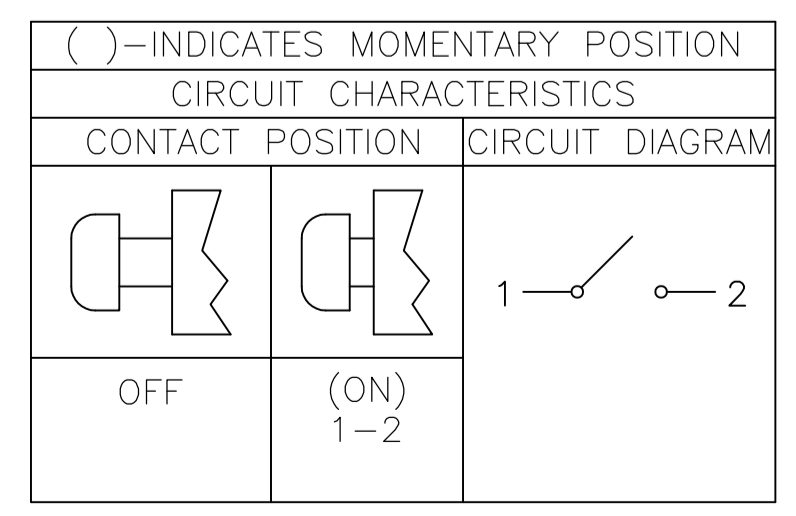


RECOMMENDED HOLE LAYOUT
 TOLERANCE ±.002 UNLESS
 OTHERWISE NOTED



FSMRA5J

ACTUATOR MATL	ACTUATOR COLOR	ACTUATION FORCE	DIM L	DIM A	ALCO PIN	TE PIN
OBSOLETE	PA6T	WHITE	260 +/-50 GF	15.85 (.624)	13.25 (.522)	FSMRA8JHXA 2-1977177-4
	PPS	BLACK	160 +/-50 GF	15.85 (.624)	13.25 (.522)	FSMRA8JHX 2-1977177-3
	PPS	BROWN	100 +/-30 GF	15.85 (.624)	13.25 (.522)	FSMRA8JHXL 2-1977177-2
	PA6T	WHITE	260 +/-50 GF	11.85 (.467)	9.24 (.364)	FSMRA7JHXA 2-1977177-1
	PPS	BLACK	160 +/-50 GF	11.85 (.467)	9.24 (.364)	FSMRA7JHX 2-1977177-0
	PPS	BROWN	100 +/-30 GF	11.85 (.467)	9.24 (.364)	FSMRA7JHXL 1-1977177-9
OBSOLETE	PA6T	WHITE	260 +/-50 GF	6.85 (.270)	4.24 (.167)	FSMRA6JHXA 1-1977177-8
	PPS	BLACK	160 +/-50 GF	6.85 (.270)	4.24 (.167)	FSMRA6JHX 1-1977177-7
	PPS	BROWN	100 +/-30 GF	6.85 (.270)	4.24 (.167)	FSMRA6JHXL 1-1977177-6
OBSOLETE	PA6T	WHITE	260 +/-50 GF	6.15 (.242)	3.55 (.140)	FSMRA5JHXA 1-1977177-5
OBSOLETE	PPS	BLACK	160 +/-50 GF	6.15 (.242)	3.55 (.140)	FSMRA5JHX 1-1977177-4
OBSOLETE	PPS	BROWN	100 +/-30 GF	6.15 (.242)	3.55 (.140)	FSMRA5JHXL 1-1977177-3
	PA6T	WHITE	260 +/-50 GF	8.35 (.329)	5.74 (.226)	FSMRA4JHXA 1-1977177-2
	PPS	BLACK	160 +/-50 GF	8.35 (.329)	5.74 (.226)	FSMRA4JHX 1-1977177-1
OBSOLETE	PPS	BROWN	100 +/-30 GF	8.35 (.329)	5.74 (.226)	FSMRA4JHXL 1-1977177-0
	PA6T	WHITE	260 +/-50 GF	5.85 (.230)	3.25 (.128)	FSMRA3JHXA 1977177-9
	PPS	BLACK	160 +/-50 GF	5.85 (.230)	3.25 (.128)	FSMRA3JHX 1977177-8
OBSOLETE	PPS	BROWN	100 +/-30 GF	5.85 (.230)	3.25 (.128)	FSMRA3JHXL 1977177-7
	PA6T	WHITE	260 +/-50 GF	3.86 (.152)	1.24 (.049)	FSMRA2JHXA 1977177-6
OBSOLETE	PPS	BLACK	160 +/-50 GF	3.86 (.152)	1.24 (.049)	FSMRA2JHX 1977177-5
	PPS	BROWN	100 +/-30 GF	3.86 (.152)	1.24 (.049)	FSMRA2JHXL 1977177-4
	PA6T	WHITE	260 +/-50 GF	3.15 (.124)	0.56 (.022)	FSMRA1JHXA 1977177-3
OBSOLETE	PPS	BLACK	160 +/-50 GF	3.15 (.124)	0.56 (.022)	FSMRA1JHX 1977177-2
	PPS	BROWN	100 +/-30 GF	3.15 (.124)	0.56 (.022)	FSMRA1JHXL 1977177-1



THIS DRAWING IS A CONTROLLED DOCUMENT. DIM M. BINNER 14AUG07. DIM C.W. 14AUG07. DIM M.SARVER 14AUG07. DIM M.SARVER 14AUG07. NAME: 6MM R/A TACT SWITCH ULTRA HIGH TEMPERATURE SERIES. SIZE: A1. CASE CODE: 00779. DRAWING NO: 1977177. RESTRICTED TO: CUSTOMER DRAWING. SCALE: 10:1. SHEET: 1 OF 1. REV: B2.