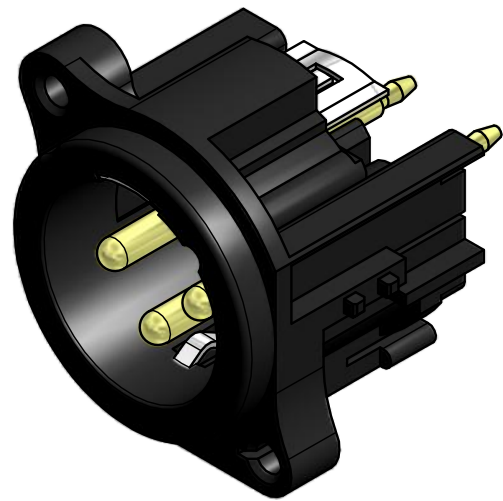
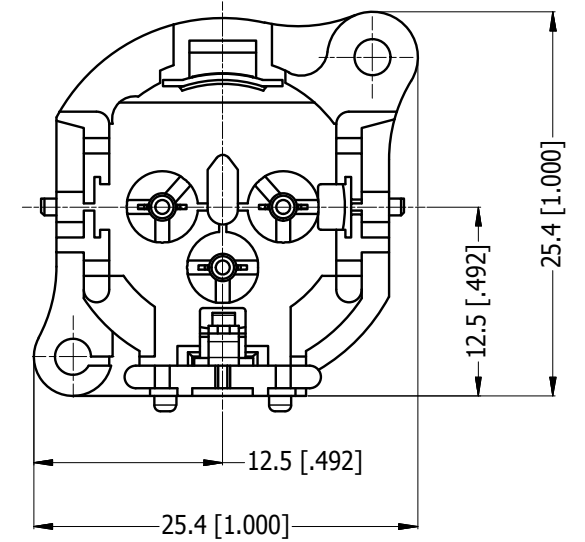
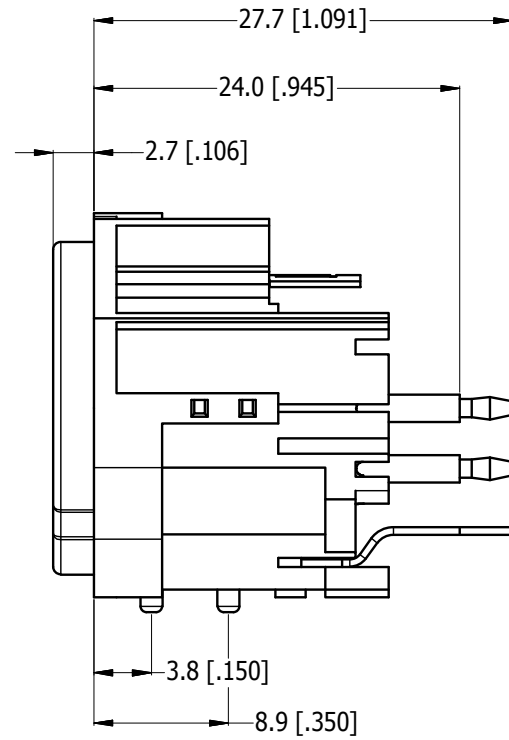
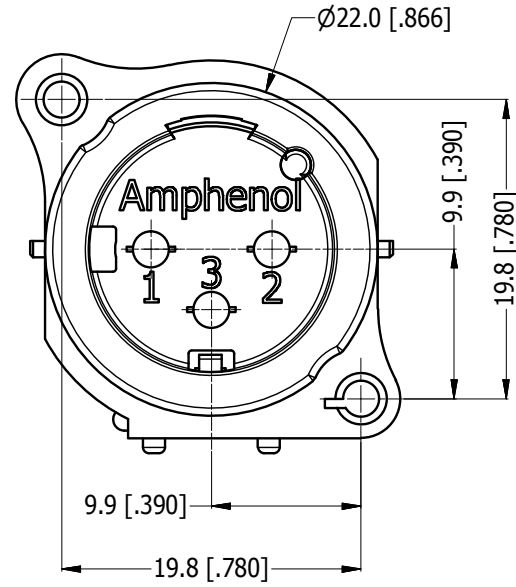
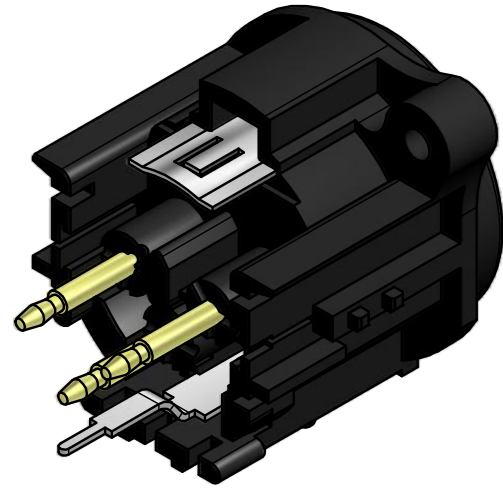
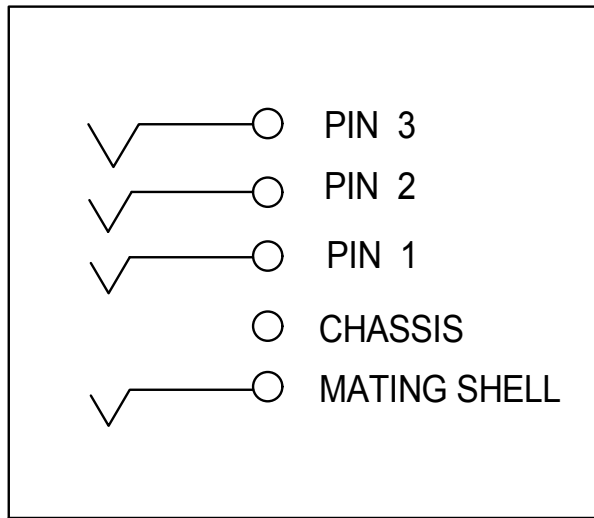


LEGEND = KEY PRODUCT CHARACTERISTICS

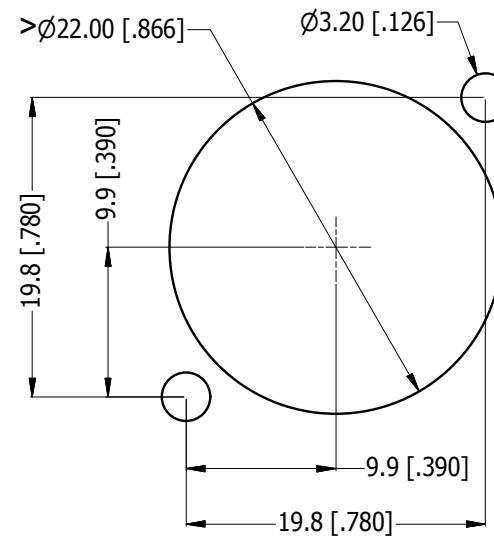
REVISION HISTORY				
REV	DESCRIPTION	DATE	BY	CHG/No
0	FIRST ISSUE	08/10/2014	MH	---



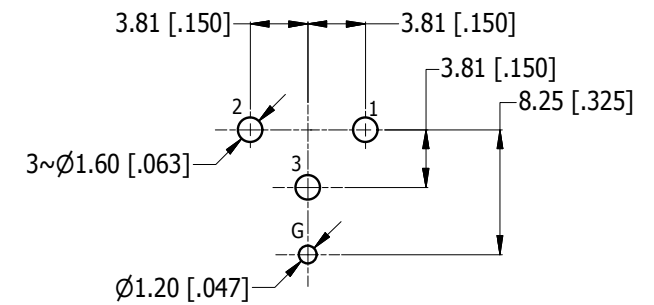
ISO VIEWS



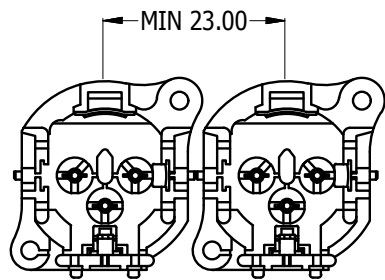
SCHEMATIC CHART



**PANEL CUT OUT
REAR VIEW**



**PCB-LAYOUT
COMPONENT SIDE
TOLERANCE: $\pm 0.05\text{mm} [.002"]$**



**MIN MOUNTING PITCH
SCALE 1:1**

UNLESS OTHERWISE SPECIFIED TOLERANCE TO BE		THIS DOCUMENT IS THE PROPERTY OF AMPHENOL AUSTRALIA PTY. LTD. NO PART THEREOF MAY BE REPRODUCED AND USED WITHOUT THE PRIOR WRITTEN CONSENT OF THE OWNER				Amphenol Amphenol Australia Pty.Ltd, 22 Industry Blvd, Carrum Downs, VIC 3201	
LINEAR	ANGULAR	MATERIAL:	DRN: MH	DATE: 08/10/14	TITLE:	PART No:	
X ± 0.5	X' ± 1	REFER TO COMPONENT	CKD: M.H	DATE: 08/10/14	AC3MAV-AU-PRE VERTICAL MALE CUSTOMER DRAWING	AC3MAV-AU-PRE	
X.X ± 0.1	X.X' ± 30'	FINISH: REFER TO COMPONENT	APP'D: P.M	DATE: 08/10/14	DRAWING NO.	SHEET	
X.XX ± 0.05	X.XX' ± 15'	DO NOT SCALE	SCALE: 2:1	SIZE: A3	CAD FILE 55011033000220	55011033-000-2 2/2	
DIMENSIONS IN MILLIMETRES		THIRD ANGLE PROJECTION					