

# PRODUCT DATA DRAWING

REVISION HISTORY			
REV	DESCRIPTION	DATE	APPROVED
-	DCN 45425	05/17	GPF

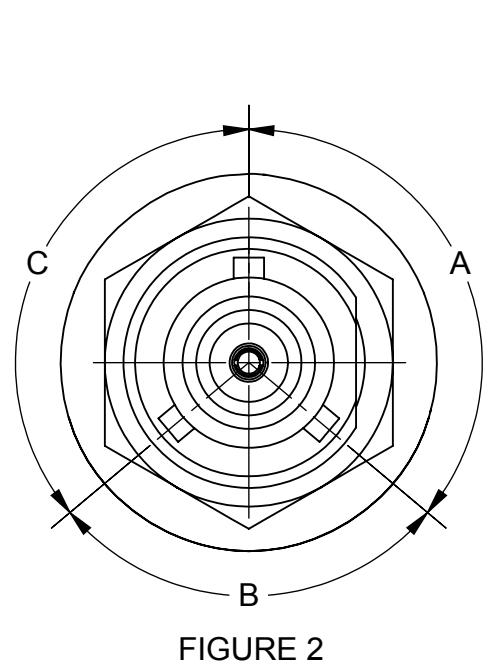


FIGURE 2

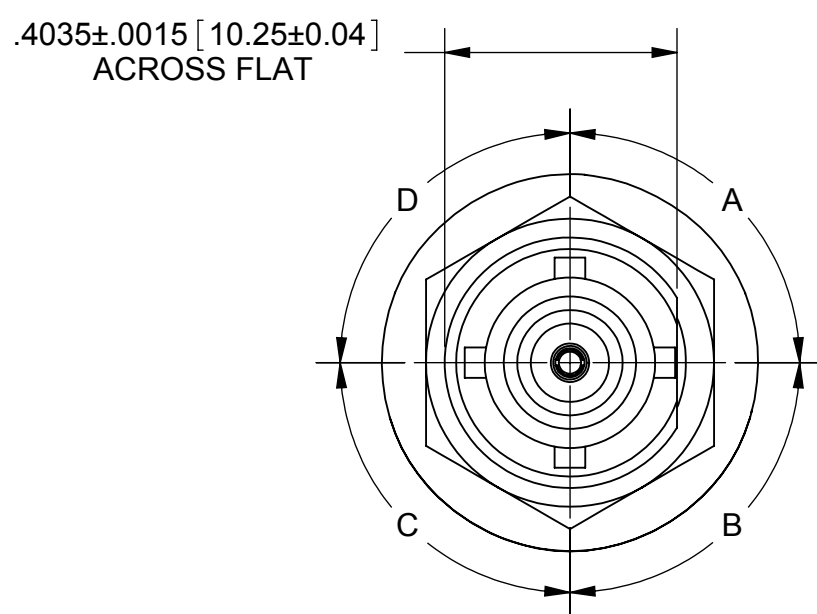
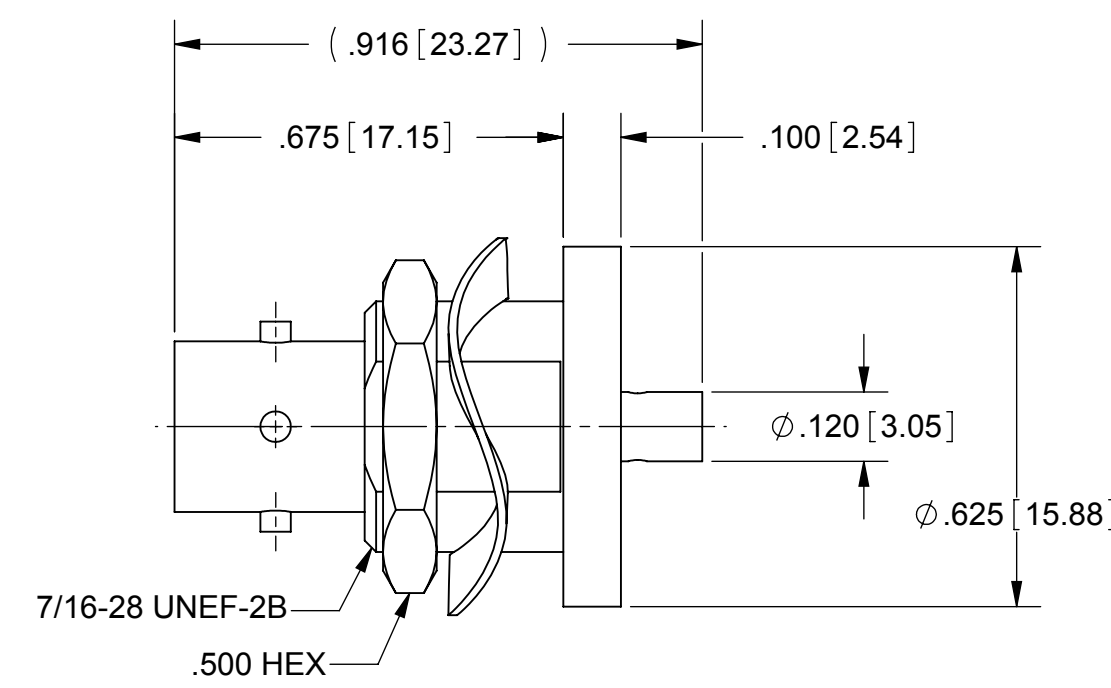


FIGURE 1



**MATERIAL:**

- BODY, & HEX NUT:** STAINLESS STEEL PER AMS-5640, ALLOY UNS S30300, TYPE 1
- CONTACTS:** BERYLLIUM COPPER PER ASTM B196, ALLOY No. UNS C17300, TD04
- FERRULE:** BRASS PER ASTM B16, ALLOY UNS No. C36000
- WAVE WASHER:** 1050 SPRING STEEL X .015 THICK
- INSULATOR:** PTFE PER ASTM D1710, TYPE I, GRADE 1, CLASS B
- GASKET:** CHOMERICS 1287

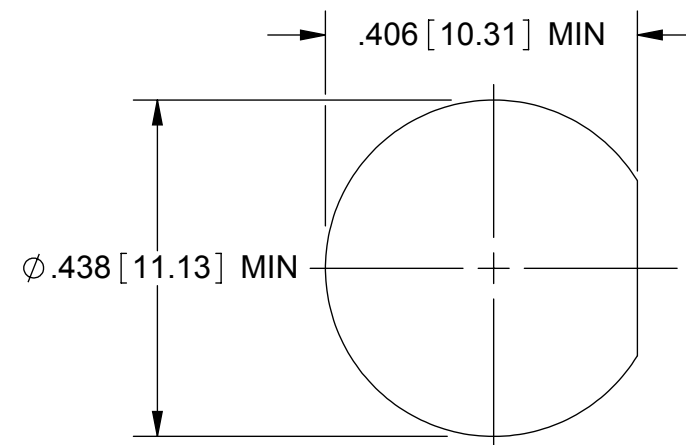
**FINISH:**

- BODY & HEX NUT:** PASSIVATED PER AMS-2700, TYPE 2
- FERRULE, & CONTACTS:** GOLD PER ASTM B488, TYPE II, CODE C, CLASS 1.27; OVER NICKEL PER AMS-QQ-N-290, CLASS 1, .00005" MIN.

- WAVE WASHER:** NICKEL PER AMS-QQ-N-290, CLASS 1, GRADE G

**PERFORMANCE:**

- IMPEDANCE:** 50 OHMS
- FREQ. RANGE:** DC TO 18 GHz



**RECOMMENDED MOUNTING HOLE**

PART NUMBER	FIGURE	A	B	C	D
SF8721-60109	1	90°	90°	90°	90°
SF8721-60110	2	120°	120°	120°	-
SF8721-60111	2	130°	100°	130°	-
SF8721-60112	2	110°	140°	110°	-

<b>MATERIAL:</b> SEE NOTES <b>FINISH:</b> SEE NOTES <b>SURFACE AREA:</b> N/A <b>PROPRIETARY</b> <small>THE INFORMATION CONTAINED IN THIS DRAWING IS THE SOLE PROPERTY OF SV MICROWAVE, INC. ANY REPRODUCTION IN PART OR AS A WHOLE WITHOUT THE WRITTEN PERMISSION OF SV MICROWAVE, INC IS PROHIBITED.</small>	<small>DIMENSIONS ARE IN INCHES TOLERANCES:</small> FRACTIONAL: $\pm 1/64$ ANGULAR: X° $\pm 1'0''$ X'X' $\pm 15'$ DECIMAL: X $\pm .030$ .XX $\pm .010$ .XXX $\pm .005$ <small>INTERPRET DIMENSIONS AND TOLERANCES PER ASME Y14.5M - 1994</small>	<small>UNLESS OTHERWISE SPECIFIED</small> 1) ALL DIMENSIONS ARE IN INCHES (MILLIMETERS) 2) ALL DIMENSIONS ARE AFTER PLATING. 3) BREAK CORNERS & EDGES .005 R. MAX. 4) CHAM. 1ST & LAST THREADS. 5) SURFACE ROUGHNESS 63 MIL-STD-10. 6) DIA.'S ON COMMON CENTERS TO BE CONCENTRIC WITHIN .005 T.I.R. 7) REMOVE ALL BURRS	<b>SV Microwave, Inc.</b> 2400 Centrepark West Drive, Suite 100 West Palm Beach, FL 33409 TITLE: <b>ZMA STRAIGHT BULKHEAD JACK FOR RG-405 CABLE</b>
SCALE: 4:1			DWG. NO. SF8721-60109-60112 SHEET 1 OF 1