



Dimension A&B

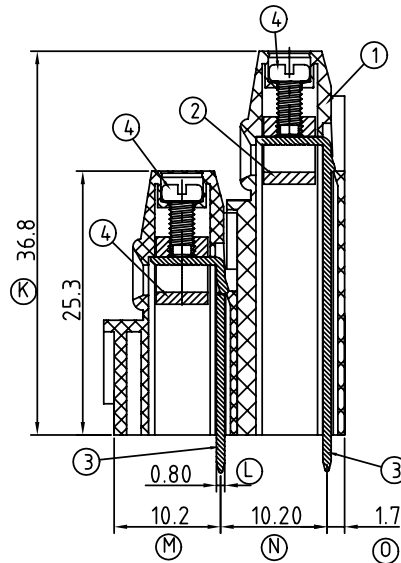
| | |
|-------|------------|
| DIM A | N×5.08 |
| DIM B | (N-1)×5.08 |

N=Number of contacts

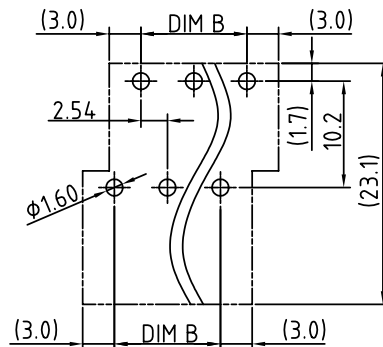
| Poles | A&B Tolerance |
|---------|---------------|
| 2P-8P | ±0.15 |
| 9P-14P | ±0.25 |
| 15P-20P | ±0.35 |
| 21P-24P | ±0.40 |



N=Number of contacts



P.C.B LAYOUT



| SIGN | DATE | DESCRIPTION | APPROVER |
|------|----------|-------------------------------------------------|----------|
| △ | 01/18'07 | Soldering temperature changed from 245° to 250° | Tason |
| △ | 01/18'07 | Part NO is Changed | Tason |

THIS IS CAD DRAWING, DO NOT REVISE MANUALLY!!!

Material:

- Item 1 Terminal housing :Thermoplastic (UL 94V-0)
- Item 2 Clamp : Brass ,Ni plated
- Item 3 Wire guard solder pin : Brass ,Tin plated
- Item 4 Terminal screw : Steel Zinc plating"-slot type

Electrical

- Voltage rating: 300VAC
- Current rating: 10A
- Wire range:
 - Solid wire(AWG): 12-24
 - Stranded wire(AWG): 12-24
- Torque(Lb-In): 3.5
- Screw: M2.5
- Wire strip length: 6-7mm
- Withstanding Voltage: 1.6KV
- Operating temperature: -40°C to +115°C
- Soldering temperature: 250°C±10°C/5 Sec
- Safety Approval: US

△ YM xx 41 x 0 xxxx G

- 04 2×2 CONTACTS
- 06 2×3 CONTACTS
-
- 48 2×24 CONTACTS

- 0 Black
- 5 Green
- 6 Blue
- 8 Grey

0000:"@"/Logo (Standard) Pb < 40,000ppm
 000A:"ANYTEK"/Logo (RoHS)
 Any special item by customer request, please contact sales department.

ANYTEK

CUSTOMER COPY

ALL RIGHTS RESERVED. REPRODUCTION OR ISSUE TO THIRD PARTIES IN ANY FORM WHATSOEVER IS NOT PERMITTED WITHOUT WRITTEN AUTHORITY FROM THE PROPRIETOR. PROPERTY OF ANYTEK TECHNOLOGY CO., LTD

| | | | | | |
|----------|---------|---------------------|-------------------|--------------|------------|
| TITLE | | YM-5.08mm -L Series | | | |
| PART NO. | | YMxx41x0xxxxG | | DWG NO. | 8YM0101 |
| APPROVED | CHECKED | DESIGNED | DRAWN | CUST NO. | |
| | | Aaron 2009.11.30 | 熊海霖 2007.01.25 | | |
| | | | | Tolerance | |
| | | | | UNIT: mm | X. ±0.50 |
| | | | | SCALE: NONE | X.X ±0.30 |
| | | | | SHEET: 01/01 | X.XX ±0.10 |
| | | | | REV.: D | X° ±1° |