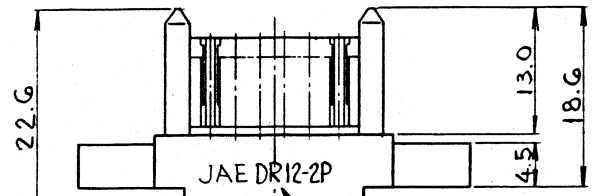
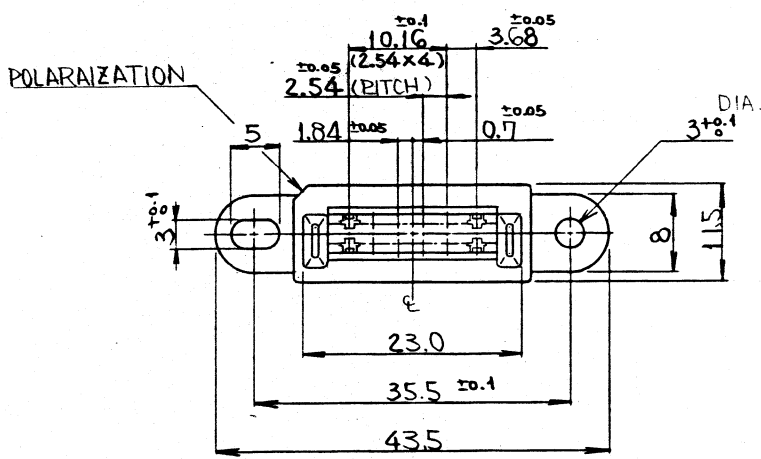
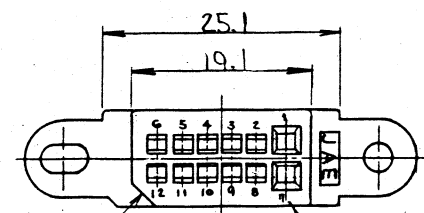


DWG. NO. SJ021041-E 1 SYM.

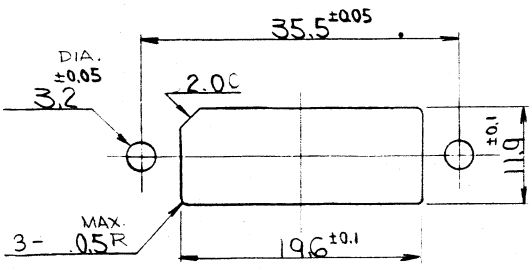
SYM. DCN NO. DESCRIPTION DATE DRAWN CHECKED APP'D APP'D



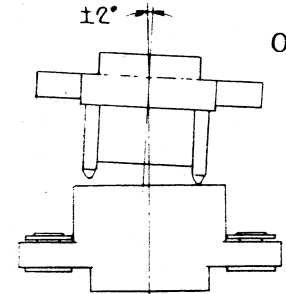
JAE AND PART NO. MARKING



MOUNTING PANEL CUTOUT DIMENSIONS (REF)

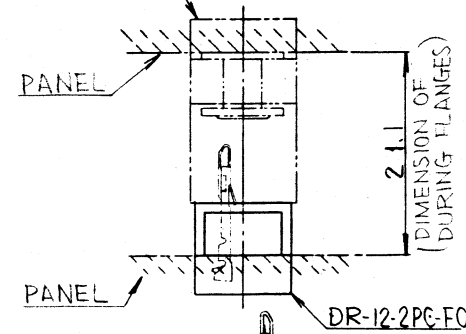


ALLOWABLE MATING ANGLE



OCT.-2'89

APPLICABLE CONNECTOR (DR-12-2SC-F0)



CONTACTS ARE ORDERED SEPARATELY

MATING EXAMPLE

FILED
JUL 30 2002
DOCUMENT CONTROL

1	INSULATOR	1	GLASS FILLED PBT		04V-0 COLOR:BLACK
ITEM	DESCRIPTION	QTY	MATERIAL	FINISH	REMARK

UNLESS OTHERWISE SPECIFIED		
DIMENSIONS ARE IN INCHES		
TOLERANCES ON:		
FRACTIONS	DECIMALS	ANGLES
±0.8	±0.4	±0.1
TREATMENT OR FINISH		
3rd		

DATE	MAY. 7 1987
DRAWN	
CHECKED	Y. HAYASHI
APP'D	H. Takemura
APP'D	S. Ishimoto

TITLE	DR-12-2PC-F0
SCALE	1/2
DWG. SIZE	B
WT.	

JAPAN AVIATION ELECTRONICS IND. CO. LTD. FACTORY NAKAGAMI-CHO, AKISHIMA-SHI TOKYO, JAPAN
DWG. NO. SJ021041-E
SHEET

CSB-1107