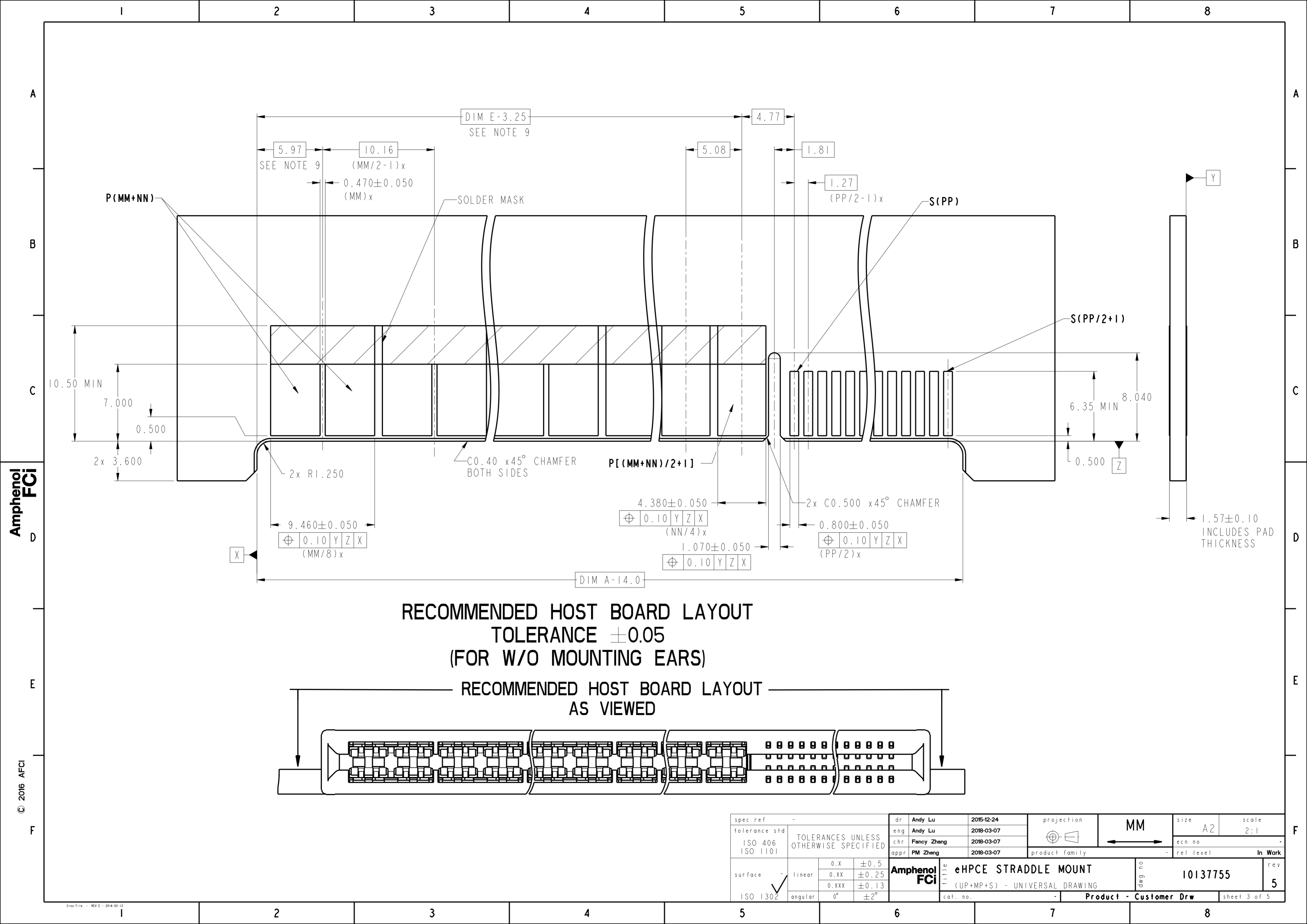


| | | | | | | | | | | |
|---------------------------------------|---------------------------------------|---------------------|-------------|--|----------------|--------------|-----------|-----|-----------|---------|
| spec ref | - | dr | Andy Lu | 2015-12-24 | projection | MM | size | A2 | scale | 4:1 |
| tolerance std | ISO 406 ISO 1101 | eng | Andy Lu | 2018-03-07 | | | ecn no | - | rel level | In Work |
| TOLERANCES UNLESS OTHERWISE SPECIFIED | | chr | Fancy Zhang | 2018-03-07 | | | | | | |
| surface | ISO 1302 | appr | PM Zheng | 2018-03-07 | product family | CARD EDGE | rel level | | | |
| linear | 0.X ±0.5 0.XX ±0.25 0.XXX ±0.13 | Amphenol FCI | | eHPCE STRADDLE MOUNT (UP+MP+S) - UNIVERSAL DRAWING | | cat. no. | 10137755 | rev | 5 | |
| angular | 0° ±2° | | | Product - Customer Drw | | sheet 1 of 5 | | | | |

Amphenol FCI

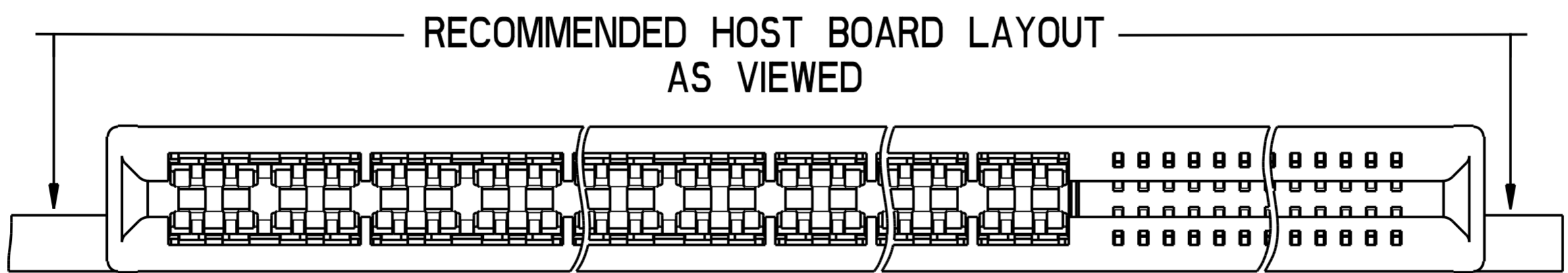
© 2016 AFCI



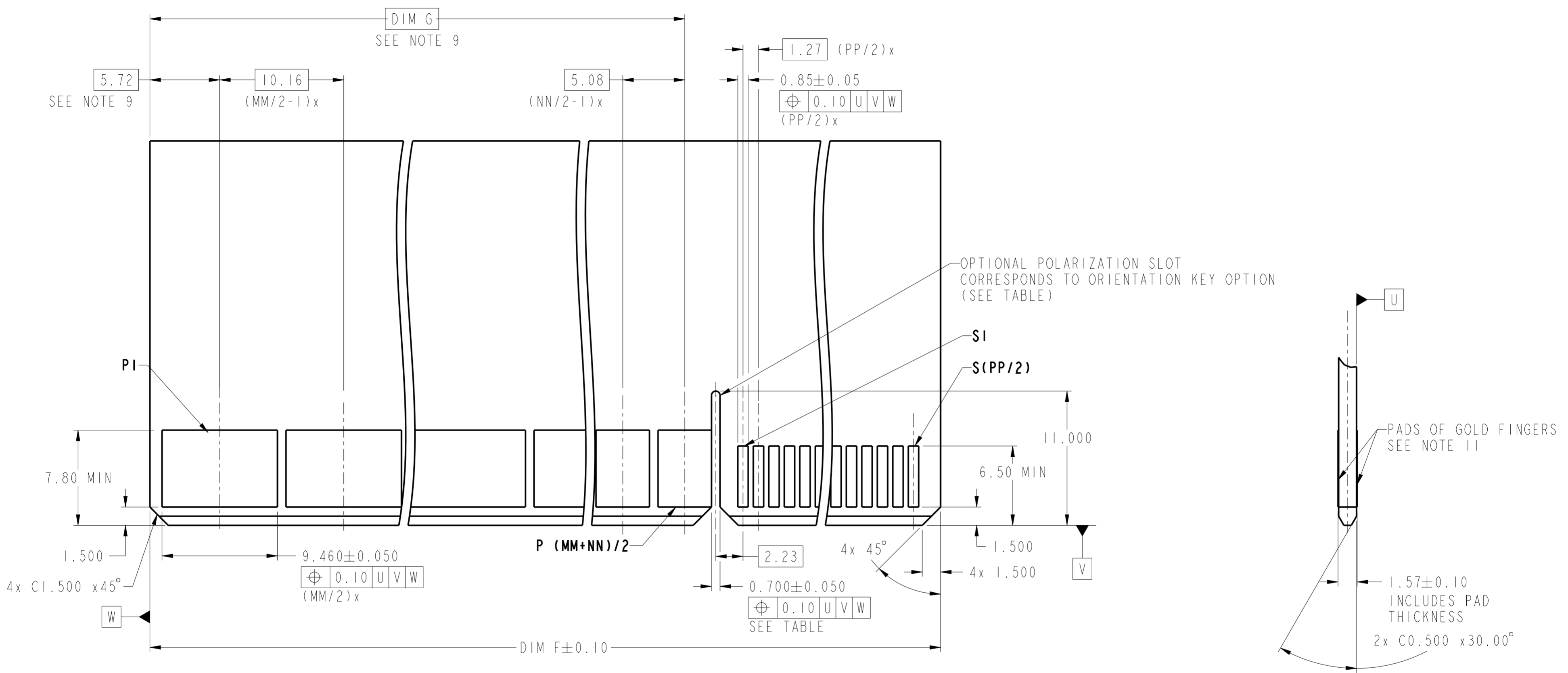
Amphenol
FCi

© 2016 AFci

RECOMMENDED HOST BOARD LAYOUT
TOLERANCE ±0.05
(FOR W/O MOUNTING EARS)



| | | | | | | | | | | |
|---------------------------------------|---------------------------------------|----------|-------------|------------------------|---------------------|----|--|-----------|--------------|-----|
| spec ref | - | dr | Andy Lu | 2015-12-24 | projection | MM | size | A2 | scale | 2:1 |
| tolerance std | ISO 406 ISO 1101 | eng | Andy Lu | 2018-03-07 | | | ecn no | rel level | In Work | rev |
| TOLERANCES UNLESS OTHERWISE SPECIFIED | | chr | Fancy Zhang | 2018-03-07 | | | | | | |
| surface | ISO 1302 | appr | PM Zheng | 2018-03-07 | Amphenol FCI | | eHPCE STRADDLE MOUNT (UP+MP+S) - UNIVERSAL DRAWING | | sheet 3 of 5 | |
| linear | 0.X ±0.5 0.XX ±0.25 0.XXX ±0.13 | cat. no. | | Product - Customer Drw | | | | | | |
| angular | 0° ±2° | | | | | | | | | |



RECOMMENDED MATING BOARD LAYOUT
TOLERANCE ±0.05

Amphenol
FCi

© 2016 AFci

| | | | | | | | | | | | |
|---------------------------------------|---------------------------------------|-----------------|-------------|------------|----------------|---|-----------|--------------|-----------|---------|---|
| spec ref | - | dr | Andy Lu | 2015-12-24 | projection | MM | size | A2 | scale | 1:1 | |
| tolerance std | ISO 406 ISO 1101 | eng | Andy Lu | 2018-03-07 | | | ecn no | - | rel level | In Work | |
| TOLERANCES UNLESS OTHERWISE SPECIFIED | | chr | Fancy Zhang | 2018-03-07 | | | | | | | |
| surface | ISO 1302 | appr | PM Zheng | 2018-03-07 | product family | - | rel level | - | In Work | | |
| linear | 0.X ±0.5 0.XX ±0.25 0.XXX ±0.13 | Amphenol FCi | | title | | eHPCE STRADDLE MOUNT (UP+MP+S) - UNIVERSAL DRAWING | | dwg no | 10137755 | rev | 5 |
| angular | 0° ±2° | cat. no. | | - | | Product - Customer Drw | | sheet 4 of 5 | | | |

10137755 - MM NN PP LF

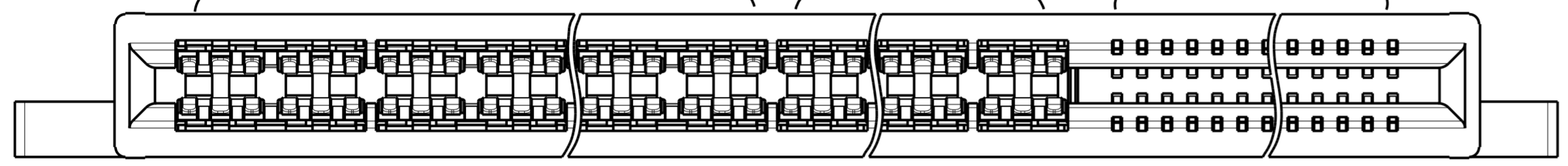
LEAD FREE

| | | | | | | | | |
|------------------|---|---|---|---|---|---|---|---|
| | A | B | C | D | E | F | G | H |
| MOUNTING EARS | Y | Y | Y | N | N | N | Y | N |
| POLARIZATION KEY | Y | N | N | Y | N | N | Y | Y |
| REAR GUIDE | Y | Y | N | Y | Y | N | N | N |

ULTRA PWR CONTACT QTY
(NEXT TO LEFT END)

MIDDLE PWR CONTACT QTY
(NEXT TO SIGNAL)

SIGNAL CONTACT QTY



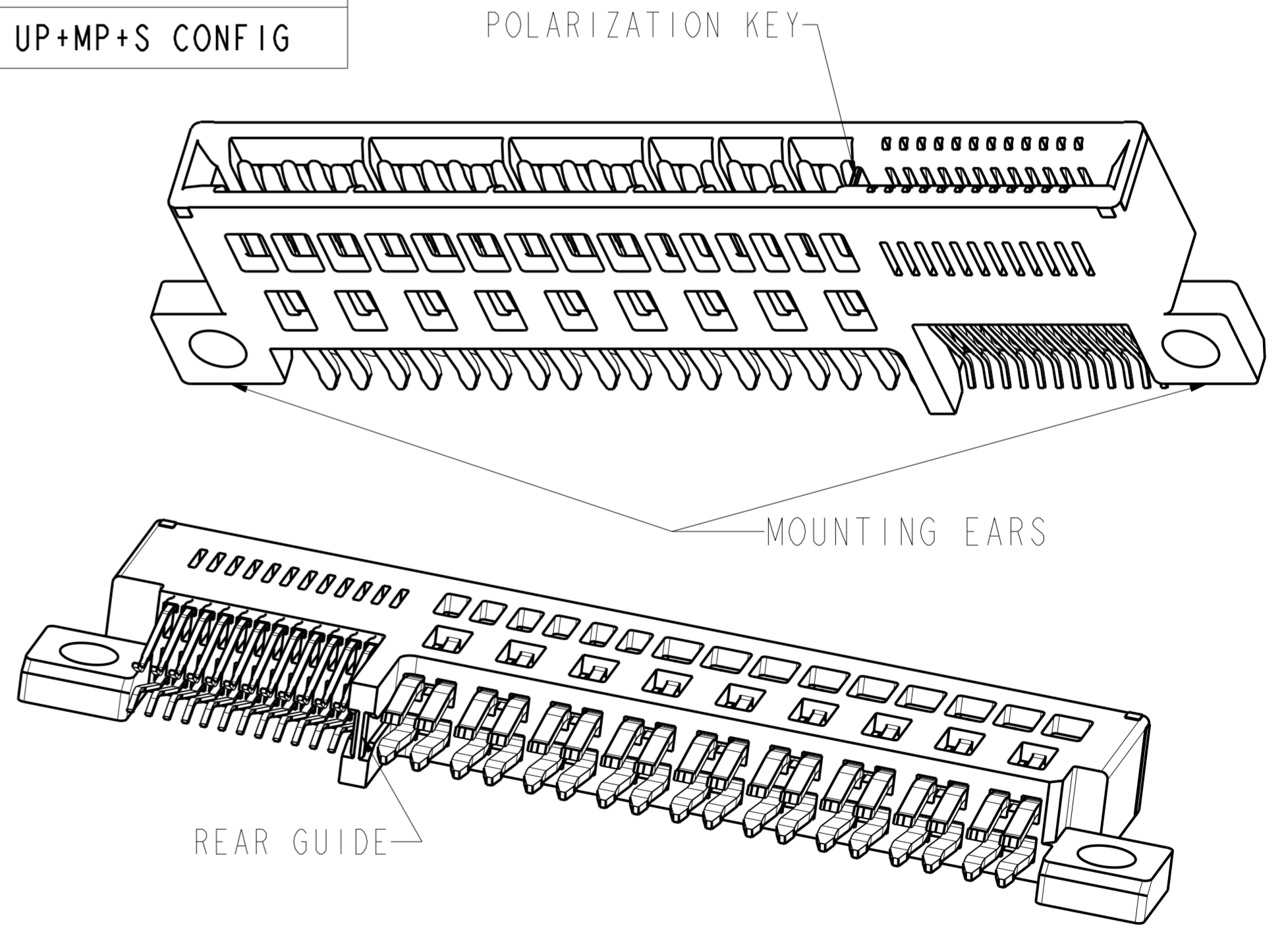
Example: The configuration above is 10137755-060624ALF
STRADDLE MOUNT WITH ENHANCED WALLS 6UP6MP24S WITH MOUNTING EARS,
POLARIZATION KEY AND ALIGNMENT KEY.

6UP means 6 pcs ultra power contacts with 6 beams; 24S means 24 pcs signal contacts;
6MP means 6 pcs middle power contacts with 3 beams.

TABLE: PART NUMBER CODE FOR eHPCE STRADDLE MOUNT WITH ENHANCED WALL UP+MP+S CONFIG

NOTES:

- CONNECTOR MATERIALS:
HOUSING: HIGH TEMPERATURE THERMAL PLASTIC, BLACK, LOW HALOGEN, UL 94V-0
CONTACTS: HIGH PERFORMANCE COPPER ALLOY.
- CONTACT FINISH REF. SECTION 5.2 IN PRODUCT SPECIFICATION.
- PRODUCT SPECIFICATION: GS-12-1362.
- APPLICATION SPECIFICATION: GS-20-0469.
- PRODUCT MARKING (PART NUMBER & DATE CODE) ON HOUSING IN AREA SHOWN.
- PACKAGING MEETS SPECIFICATION GS-14-2532(POCKET TRAY).
- HOUSING COMPONENT WILL WITHSTAND EXPOSURE TO 260°C PEAK TEMPERATURE FOR 10 SECONDS IN A CONVECTION, INFRA-RED, OR VAPOR PHASE REFLOW OVEN.
- MAXIMUM OVERALL LENGTH IS 100mm.
- DIM IS NOT APPLICABLE IF THERE ISN'T 3 BEAMS CONTACT.
- THIS PRODUCT MEETS EUROPEAN UNION DERECTIVES AND OTHER COUNTRY REGULATIONS AS DESCRIBED IN GS-47-0004.
- PLATING OF PADS SHALL BE 30u" GOLD MINIMUM OVER 50u" NICKEL MINIMUM. SURFACE MUST BE FREE OF FOREIGN MATTER.



| DIM | TABLE 2. LENGTH FORMULAS |
|---------|--|
| DIM A ⑧ | $(MM/2)*10.16 + (NN/2) \times 5.08 + (PP/2) \times 1.27 + 17.20$ |
| DIM B | DIM A - 13.08 |
| DIM C | DIM A - 7.50 |
| DIM D | DIM A - 8.98 |
| DIM E ⑨ | $(MM/2 - 1) \times 10.16 + (NN/2 - 1) \times 5.08 + 16.84$ (WITH UP CONTACT) $(NN/2 - 1) \times 5.08 + 6.68$ (WITHOUT UP CONTACT) |
| DIM F | DIM A - 13.38 |
| DIM G ⑨ | $(MM/2 - 1) \times 10.16 + (NN/2 - 1) \times 5.08 + 13.34$ (WITH UP CONTACT) $(NN/2 - 1) \times 5.08 + 3.18$ (WITHOUT UP CONTACT) |

| | | | | | | | | | | |
|---------------|---------------------|------|-------------|------------|---------------------|-----------|--|----------------------|--------------|---------|
| spec ref | - | dr | Andy Lu | 2015-12-24 | projection | MM | size | A2 | scale | 4:1 |
| tolerance std | ISO 406 ISO 1101 | eng | Andy Lu | 2018-03-07 | | CARD EDGE | ecn no | - | rel level | In Work |
| surface | linear ISO 1302 | chr | Fancy Zhang | 2018-03-07 | | | product family | eHPCE STRADDLE MOUNT | | |
| | angular | appr | PM Zheng | 2018-03-07 | Amphenol FCI | | eHPCE STRADDLE MOUNT (UP+MP+S) - UNIVERSAL DRAWING | | rev | 5 |
| | | | | | | | Product - Customer Drw | | sheet 5 of 5 | |

Amphenol FCI

© 2016 AFCI