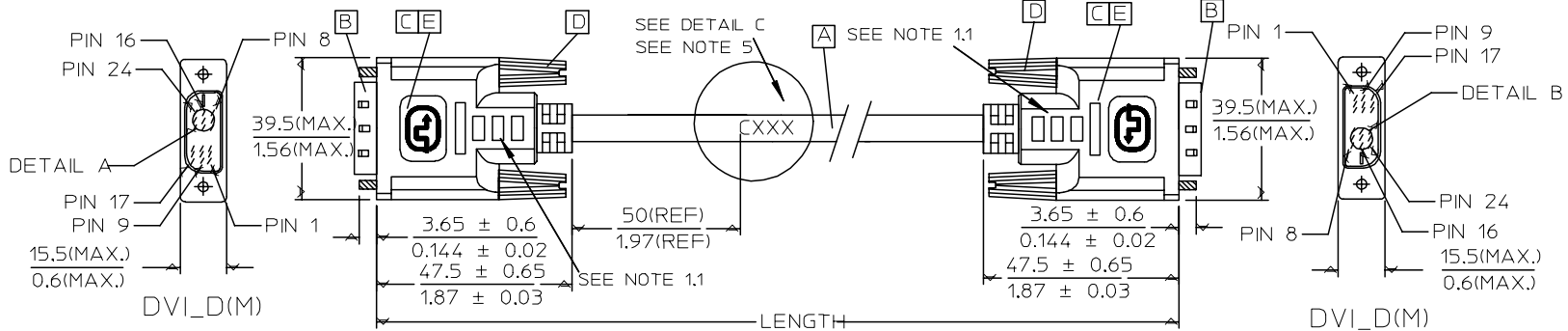


7 6 5 4 3 2 1

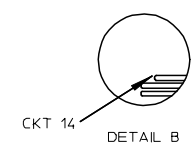
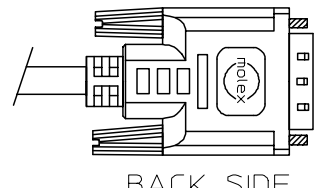
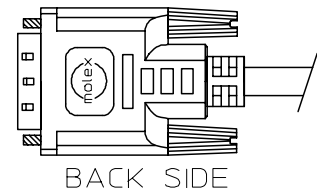
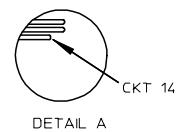
E



E

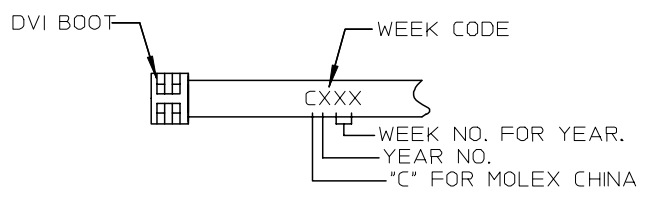
D

D



C

C



DETAIL C

TABLE:

MX P/N	DESCRIPTION	LENGTH	CABLE COLOR	CABLE P/N
68802-0011	DVI Cable- DVI-D(M) to DVI-D(M) Single Link L=15ft Black	4572 ± 150 180 ± 5.9	BLACK	887808276
68802-0010	DVI Cable- DVI-D(M) to DVI-D(M) Single Link L=10ft Black	3048 ± 80 120 ± 3.1	BLACK	887808276
68802-0009	DVI Cable- DVI-D(M) to DVI-D(M) Single Link L=6ft Black	1829 ± 60 72 ± 2.4	BLACK	887808276

B

B

A

A

EC NO: DG2006-0096 DRWN:PDAI CHKD: APPR:TKAN 2005/10/19 2005/10/19 2005/10/20	QUALITY SYMBOLS ▽=0 ◻=0	GENERAL TOLERANCES (UNLESS SPECIFIED)		DIMENSION STYLE MM/IN		SCALE ---	DESIGN UNITS METRIC	THIRD ANGLE PROJECTION		
		4 PLACES	± ---	± ---	DRAWN BY PDAI	DATE 2005/10/19	DVI-D(M) TO DVI-D(M) SL CABLE BLACK			
		3 PLACES	± ---	± ---	CHECKED BY PDAI	DATE 2005/10/19				
		2 PLACES	± ---	± ---	APPROVED BY ZXDENG	DATE 2005/10/19	MOLEX INCORPORATED		SHEET NO. 1 OF 2	
1 PLACE	± ---	± ---	DRAFT WHERE APPLICABLE MUST REMAIN WITHIN DIMENSIONS		MATERIAL NO. SEE TABLE	DOCUMENT NO. SD-68802-009				

6

5

4

3

2

1

NOTE:1. OVERMOLD SPECIFICATION

- 1.1 DVI BOOT MOLDED WITH SNOW WHITE PVC RESIN 887800076.
- 1.2 UL94V-0, COLOR: MAD432
- 1.3 HARDNESS (DUROMETER): SHORE A 90-95

2. MECHANICAL SPECIFICATION:

- 2.1 CABLE SHOULD STAND THE PULL FORCE 89-111N FOR 30 SECONDS WITH NO VISIBLE TERMINATION DAMAGE.

- 2.2 CABLE SHOULD PASS THE FLEX TEST IN 100 CYCLES AT EACH OF PLANES, PER EIA 364-41, CONDITION 1.

3. DVI CONNECTOR SPECIFICATION

- 3.1 REFER TO PRODUCT SPEC. PS74320-001
- 3.2 CONTACT PLATING: AU FLASH.
- 4. THE CODE PLEASE BE PRINTED ON THE SPACE
- 5. SHORTCIRCUIT AMONG DRAIN WIRES IS ACCEPTABLE
- 6. THIS PRODUCT MUST MEET MX RoHS COMPLIANCE.

PIN ASSIGNMENT:

SHIELD	SHIELD	GROUND	GROUND
PIN 24	PIN 24	WHITE	TMDS CLOCK-
PIN 23	PIN 23	BROWN	TMDS CLOCK+
PIN 22	PIN 22	BRAID	TMDS CLOCK SHIELD
PIN 19	PIN 19	BRAID	TMDS DATA 0 SHIELD
PIN 18	PIN 18	BLUE	TMDS DATA 0+
PIN 17	PIN 17	WHITE	TMDS DATA 0-
PIN 16	PIN 16	WHITE	HOT PLUG DETECT
PIN 15	PIN 15	ORANGE	GROUND(+5V & HV SYNC)
PIN 14	PIN 14	YELLOW	POWER +5V
PIN 11	PIN 11	BRAID	TMDS DATA 1 SHIELD
PIN 10	PIN 10	GREEN	TMDS DATA 1+
PIN 9	PIN 9	WHITE	TMDS DATA 1-
PIN 7	PIN 7	RED	DDC DATA
PIN 6	PIN 6	VIOLET	DDC CLOCK
PIN 3	PIN 3	BRAID	TMDS DATA 2 SHIELD
PIN 2	PIN 2	RED	TMDS DATA 2+
PIN 1	PIN 1	WHITE	TMDS DATA 2-
DVI_D	DVI_D	COLOR	CABLE FUNCTION

MATERIAL LIST:

ITEM	DESCRIPTION	L	QTY.
E	PCB 887899569/887899570		2
D	DVI THUMB SCREW 887806077		4
C	ONE BODY CAN 887899392		2
B	DVI_D SINGLE CHANNEL G/F CONNECTOR 743230101		2
A	DVI SINGLE LINK CABLE (SEE TABLE)		1

E
D
C
B
A

E
D
C
B
A

EC NO: DG2006-0096 DRWN: PDAI CHKD: APPR: TKAN 2005/10/19 2005/10/19 2005/10/20	DESCRIPTION QUALITY SYMBOLS ▽=0 ◻=0	GENERAL TOLERANCES (UNLESS SPECIFIED)		DIMENSION STYLE MM/INCH	SCALE ---	DESIGN UNITS METRIC	THIRD ANGLE PROJECTION		
				mm	INCH	DRAWN BY DATE PDAI 2005/10/19			
		4 PLACES	±---	±---	CHECKED BY DATE PDAI 2005/10/19				
		3 PLACES	±---	±---	APPROVED BY DATE TJEDY 2005/10/19				
DRAFT WHERE APPLICABLE MUST REMAIN WITHIN DIMENSIONS		ANGULAR ±---°		MATERIAL NO. SEE TABLE	DOCUMENT NO. SD-68802-009		SHEET NO. 2 OF 2		
				SIZE A4	THIS DRAWING CONTAINS INFORMATION THAT IS PROPRIETARY TO MOLEX INCORPORATED AND SHOULD NOT BE USED WITHOUT WRITTEN PERMISSION				