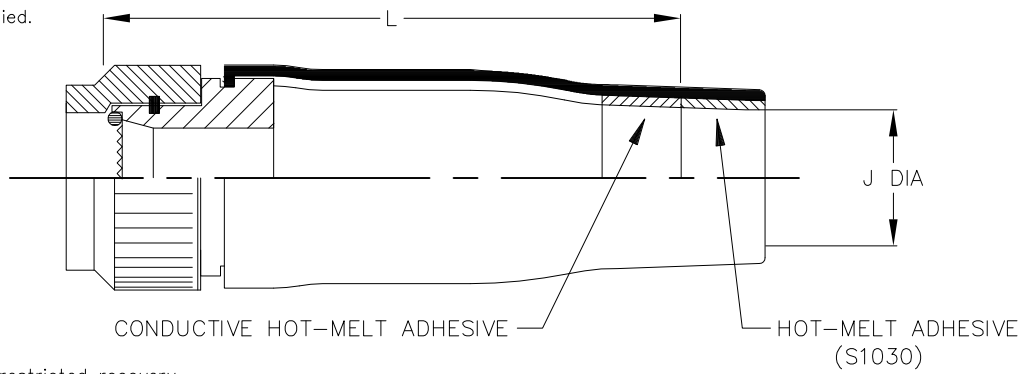


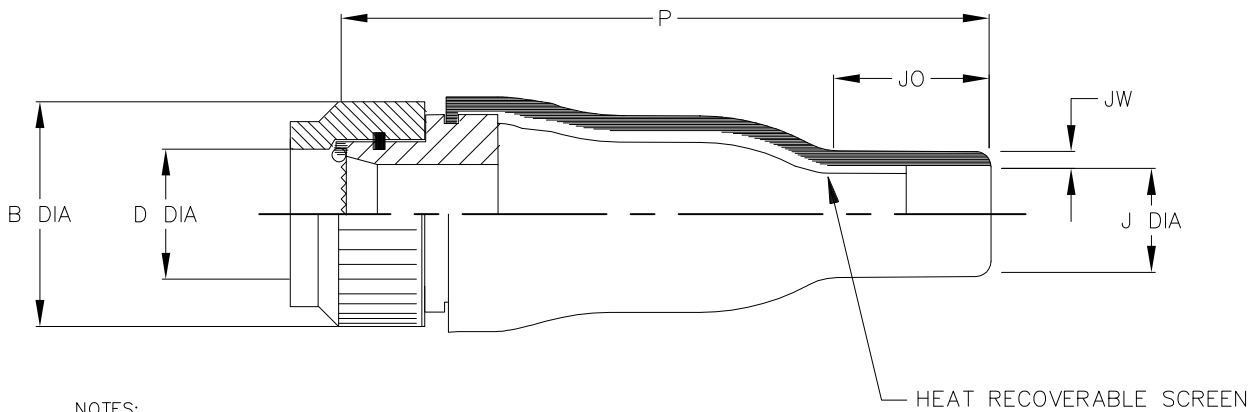
REVISIONS

P	LTR	DESCRIPTION	DATE	DWN	APVD
6		RELEASED AS PER ECO-17-009529	03JUL2017	KH	MP

a) Part as supplied.



b) Part after unrestricted recovery.



NOTES:

- Raychem Connector Code: 40
- Connector Series: MIL-C-38999 SERIES 3 & 4
- Adaptor Series: 208M7**-19-B**-K-NS (Olive Drab)
- Aluminium Alloy to BS1474 HE30TF, FC1 or 6262
- Cadmium per QQ-P-416, Type II, Class 3
- Over appropriate under plate,
- Per MIL-C-85049 (500 hour salt spray)
- Moulded Part Material: -25C (Black); Elastomer/Silver Composites, Fluid Resistant
- Kits to include cleaning tissue, 1 piece 100 grit emery cloth & packing piece.
- Kit to be used in conjunction with installation guide for straight assemblies.


Dimensions in mm [inches for reference]

Part No.	Shell Size	B DIA MAX	D DIA MIN	J		P ±10% b	L REF a	JO REF b	JW ±30% b
				MIN a	MAX b				
KTKK1110	A	19.2 [.76]	6.2 [.24]	8 [.31]	5.0 [.19]	57 [2.24]	51 [2.00]	15 [.59]	1.0 [.04]
KTKK1111	B	21.7 [.85]	9.3 [.37]	13 [.51]	6.0 [.24]	72 [2.83]	66 [2.59]	17 [.67]	1.0 [.04]
KTKK1112	C	25.5 [1.00]	12.9 [.51]	15 [.59]	7.2 [.28]	84 [3.31]	78 [3.07]	20 [.79]	1.0 [.04]
KTKK1113	D	29.3 [1.15]	14.1 [.56]	15 [.59]	7.2 [.28]	84 [3.31]	78 [3.07]	20 [.79]	1.0 [.04]
KTKK1114	E	31.9 [1.26]	18.8 [.74]	19 [.75]	8.5 [.33]	97 [3.82]	88 [3.46]	25 [.98]	1.0 [.04]
KTKK1115	F	35.7 [1.41]	18.8 [.74]	19 [.75]	8.5 [.33]	97 [3.82]	88 [3.46]	25 [.98]	1.0 [.04]
KTKK1116	G	38.2 [1.50]	23.6 [.93]	24 [.95]	10.0 [.39]	122 [4.80]	110 [4.33]	30 [1.18]	1.2 [.05]
KTKK1117	H	42.0 [1.65]	23.6 [.93]	24 [.95]	10.0 [.39]	122 [4.80]	110 [4.33]	30 [1.18]	1.2 [.05]
KTKK1118	J	44.6 [1.76]	30.9 [1.22]	33 [1.29]	15.8 [.62]	147 [5.79]	132 [5.19]	30 [1.18]	1.5 [.06]

THIS DRAWING IS UNPUBLISHED.

ALL RIGHTS RESERVED.

COPYRIGHT 2016 By TE Connectivity

DIMENSIONS: mm [INCHES]	DWN K. HOLAL 14OCT2016	MATERIAL SEE NOTES	FINISH SEE NOTES
	CHK N. NAGAR 14OCT2016	 TE Connectivity	
TOLERANCES UNLESS OTHERWISE SPECIFIED:	APVD M. POPE 14OCT2016		
0 PLC ± -	PRODUCT SPEC	RESTRICTED TO	
1 PLC ± -	—	—	
2 PLC ± -	APPLICATION SPEC	—	
3 PLC ± -	—	SIZE A4	CAGE CODE 00779
4 PLC ± -	—	DRAWING NO C-KTKK1110-1118	—
ANGLES ± -	WEIGHT	—	
CUSTOMER DRAWING		SCALE DNS	SHEET 1 OF 1
		REV 6	