

REV.	DESCRIPTION	DATE	APPROVED
G	Engineering Release	10/03/12	T. Y.
H	Engineering Update w/o Changes	08/08/16	J. C.

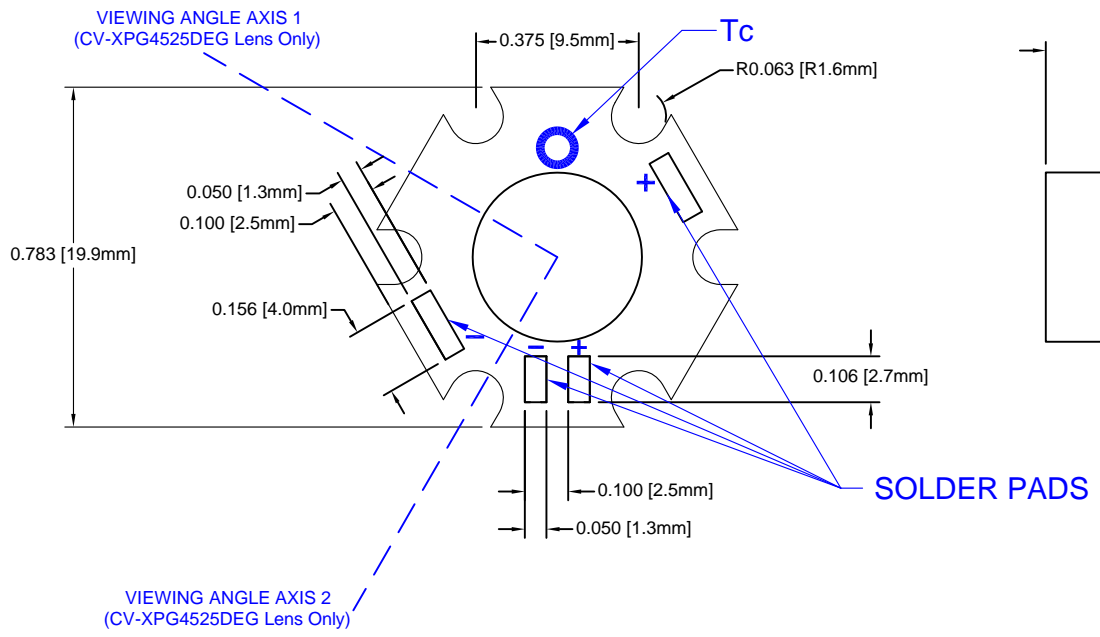

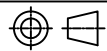


Table 1: Typical Characteristics without Additional Heat Sink

Part Number	CCT (K)	CRI	Typical Luminous Flux @ If = 350mA, Tc=70C (lm)	Typical Luminous Flux @ If = 600mA, Tc=100C (lm)	Typical DC Forward Current, Vf (V)	Viewing Angle, Axis 1 / Axis2 (°)
L2-PGC1-S	6500	75	97	152	2.9 ~ 3.0	85
L2-PGC2-S	6500	75	97	152	2.9 ~ 3.0	35
L2-PGC3-S	6500	75	97	152	2.9 ~ 3.0	45 / 25
L2-PGN1-S	4100	75	91	142	2.9 ~ 3.0	85
L2-PGN2-S	4100	75	91	142	2.9 ~ 3.0	35
L2-PGN3-S	4100	75	91	142	2.9 ~ 3.0	45 / 25
L2-PGW1-S	3100	80	80	125	2.9 ~ 3.0	85
L2-PGW2-S	3100	80	80	125	2.9 ~ 3.0	35
L2-PGW3-S	3100	80	80	125	2.9 ~ 3.0	45 / 25

Table 2: Absolute Maximum Ratings with Thermal Management

Part Number	CCT (K)	CRI	Typical Luminous Flux @ If = 1000mA, Tc=120C (lm)	Typical Luminous Flux @ If = 1500mA, Tc=100C (lm)	Typical DC Forward Current, Vf (V)	Viewing Angle, Axis 1 / Axis2 (°)
L2-PGC1-S	6500	75	216	660	3.2 ~ 3.3	85
L2-PGC2-S	6500	75	216	660	3.2 ~ 3.3	35
L2-PGC3-S	6500	75	216	660	3.2 ~ 3.3	45 / 25
L2-PGN1-S	4100	75	186	566	3.2 ~ 3.3	85
L2-PGN2-S	4100	75	186	566	3.2 ~ 3.3	35
L2-PGN3-S	4100	75	186	566	3.2 ~ 3.3	45 / 25
L2-PGW1-S	3100	80	155	472	3.2 ~ 3.3	85
L2-PGW2-S	3100	80	155	472	3.2 ~ 3.3	35
L2-PGW3-S	3100	80	155	472	3.2 ~ 3.3	45 / 25

STANDARD TOLERANCE (UNLESS OTHERWISE SPECIFIED)		 4 THOMAS, IRVINE, CA. 92618 TEL: (949) 951-8808 FAX: (949) 951-3974			
DECIMALS	ANGULAR				
.X ± .1	X° ± 1°	 <b>TITLE:</b> L2 Starboard Light Engine			
.XX ± .02					
.XXX ± .010		DESIGNED:	DATE:	<b>PART NO:</b> L2-PGXX-S <b>CAGE CODE :</b> 32559	REVISION:
		<b>B. Oliver</b>	<b>11/02/11</b>		<b>H</b>
		CHECKED:	DATE:	<b>SHEET # 1 OF 1</b> CAD GENERATED DOCUMENT. DO NOT MEASURE DRAWING.	
		<b>M. Chen</b>	<b>11/02/11</b>		