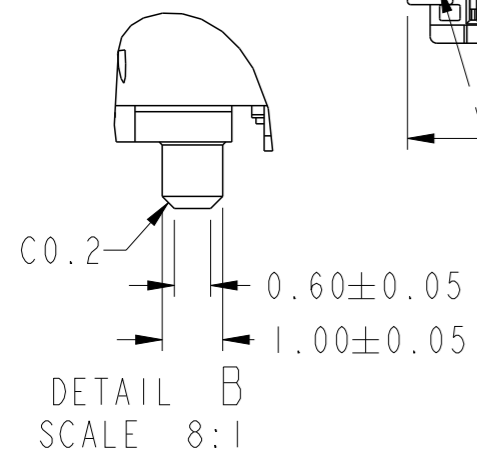
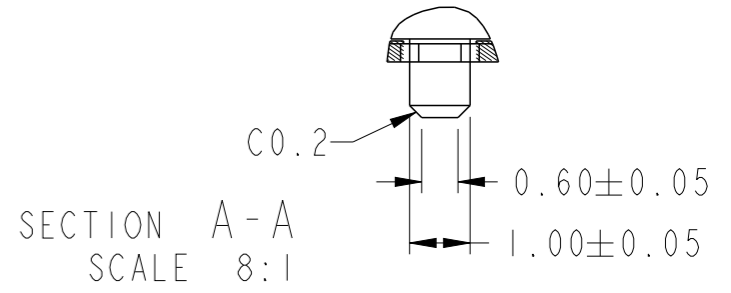
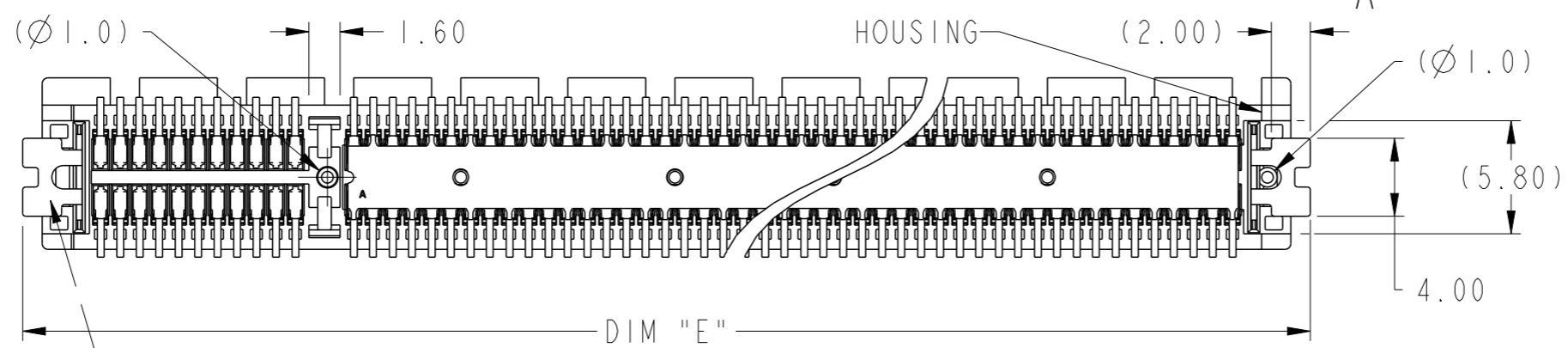
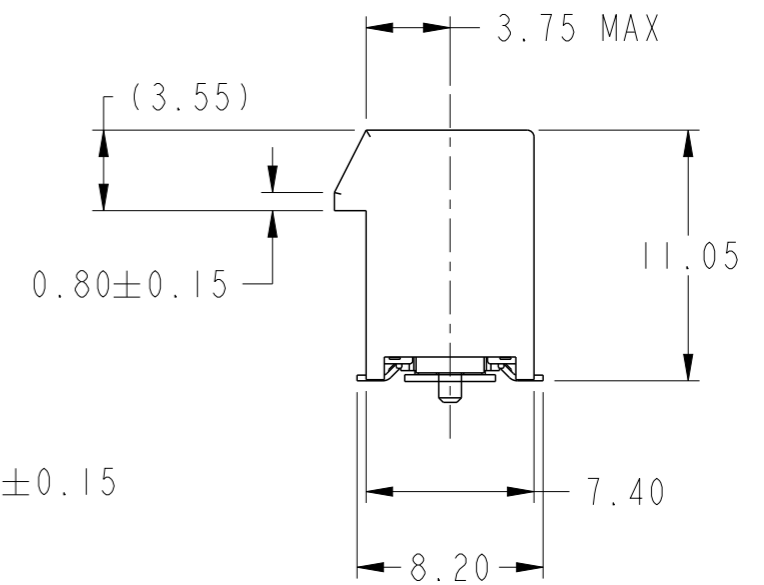
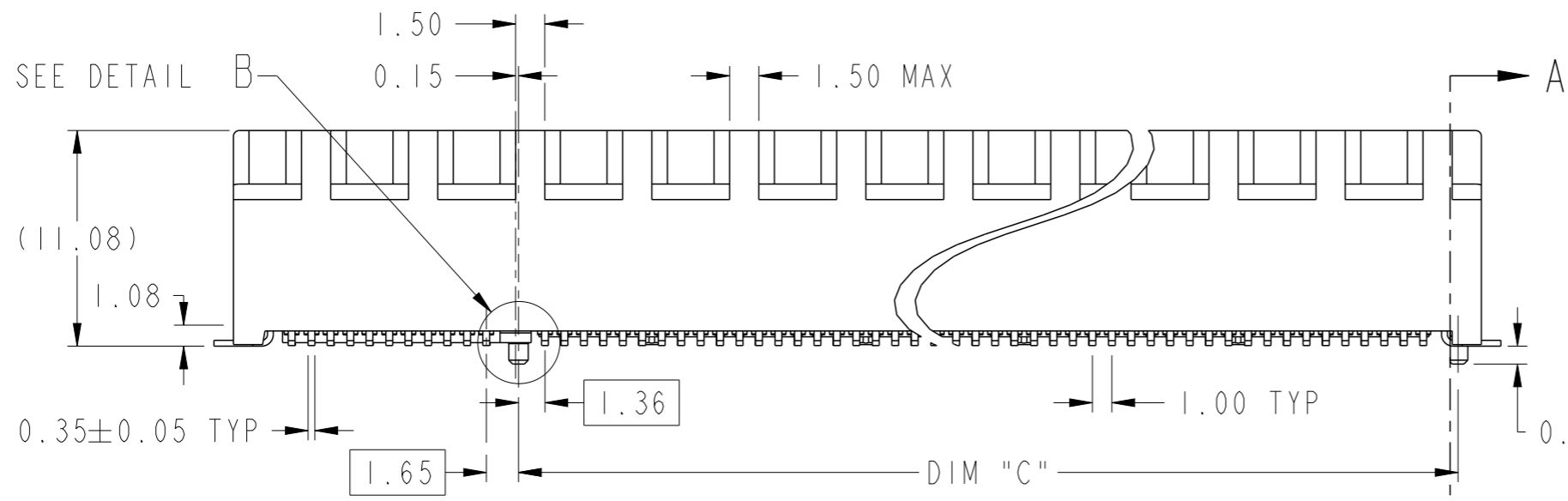
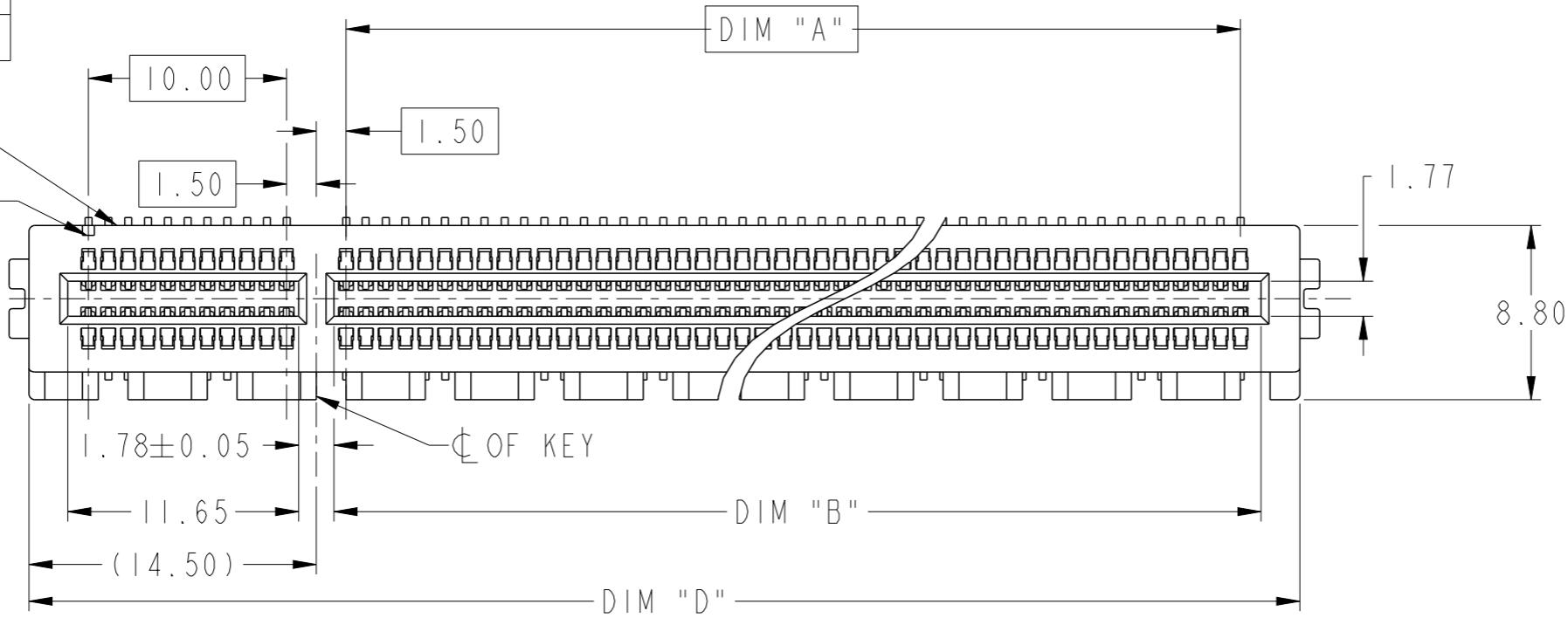


PRODUCT PARTNUMBER  
10144667-1XXX0LF

DATA CODE &  
PARTNO  
#AI IDENTIFIER



HOLDDOWN  
CLIP

spec ref	-	dr	Cheong, Matthe	2018/01/10
tolerance std	ISO 406 ISO 1101	eng	Cheong, Matthe	2018/05/22
	TOLERANCES UNLESS OTHERWISE SPECIFIED	chr	-	-
		appr	Koon-Poh Tay	2018/05/25
surface	linear	0.X	±0.30	
		0.XX	±0.20	
		0.XXX	±0.1	
	angular	0°	±2°	

projection	MM	size	A3	scale	3:1
ecn no	ELX-S-30246-1	rel level	Released		
product family	PCI express	dwg no	10144667	rev	B
Amphenol FCI	PCI Express Gen 5 (32Gb/s) SMT Type	cat. no.	-	Product - Customer Drw	sheet 1 of 4
www.fci.com					

Amphenol  
FCi

© 2016 AFCI

1

2

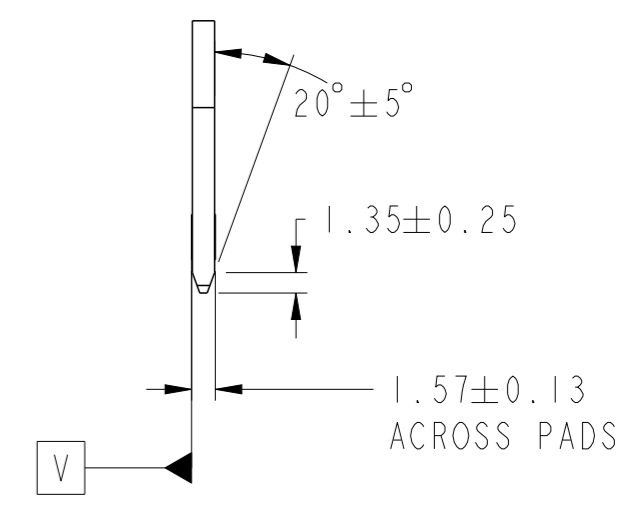
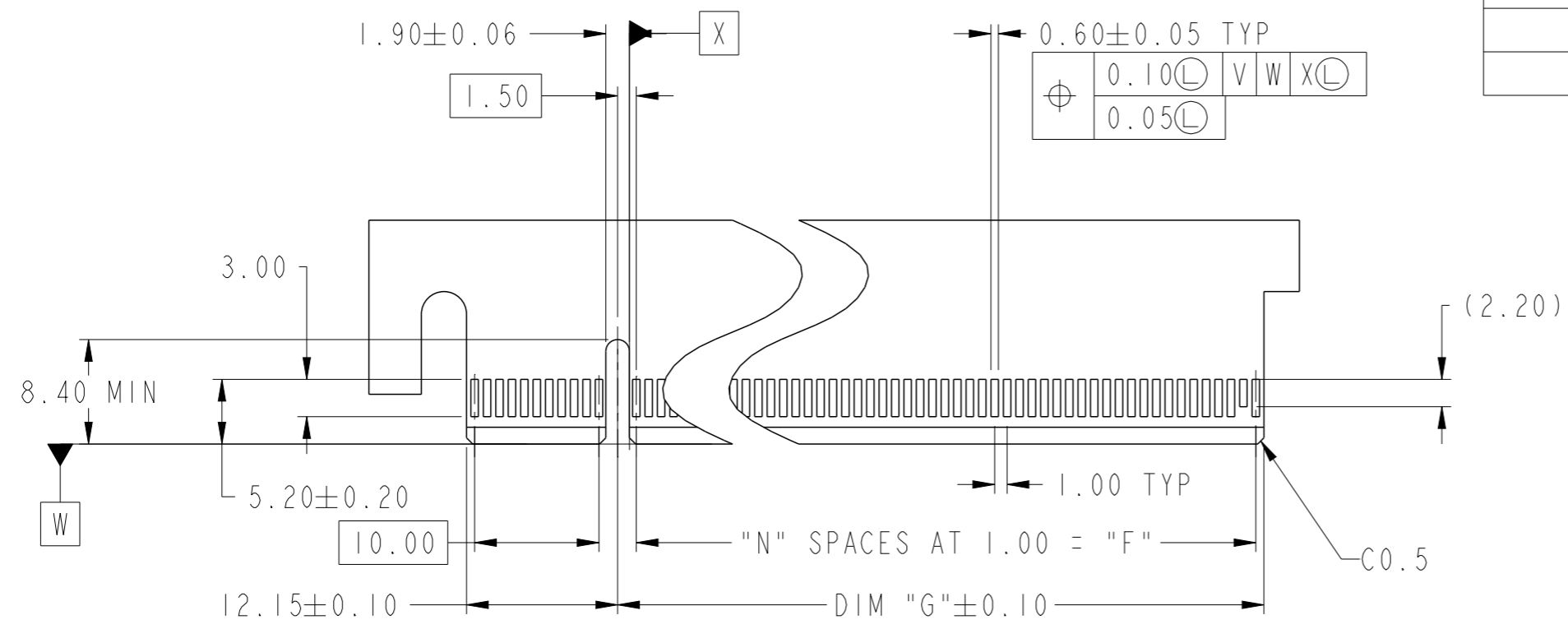
3

4

CONNECTOR LINK WIDTH	POSITION	N	DIM "G"	DIM "F"	PIN "L"
X1	36	6	8.15	6.00	B17
X4	64	20	22.15	20.00	B31
X8	98	37	39.15	37.00	B48
X16	164	70	72.15	70.00	B81

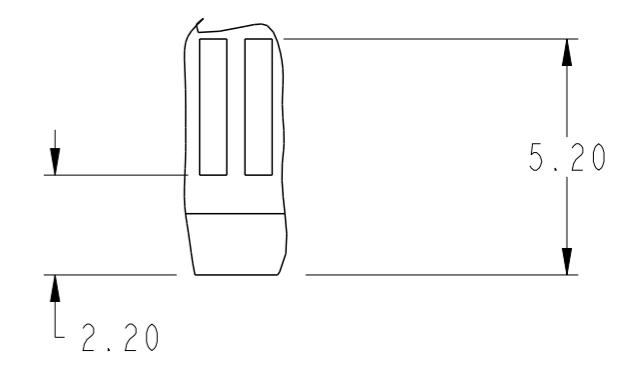
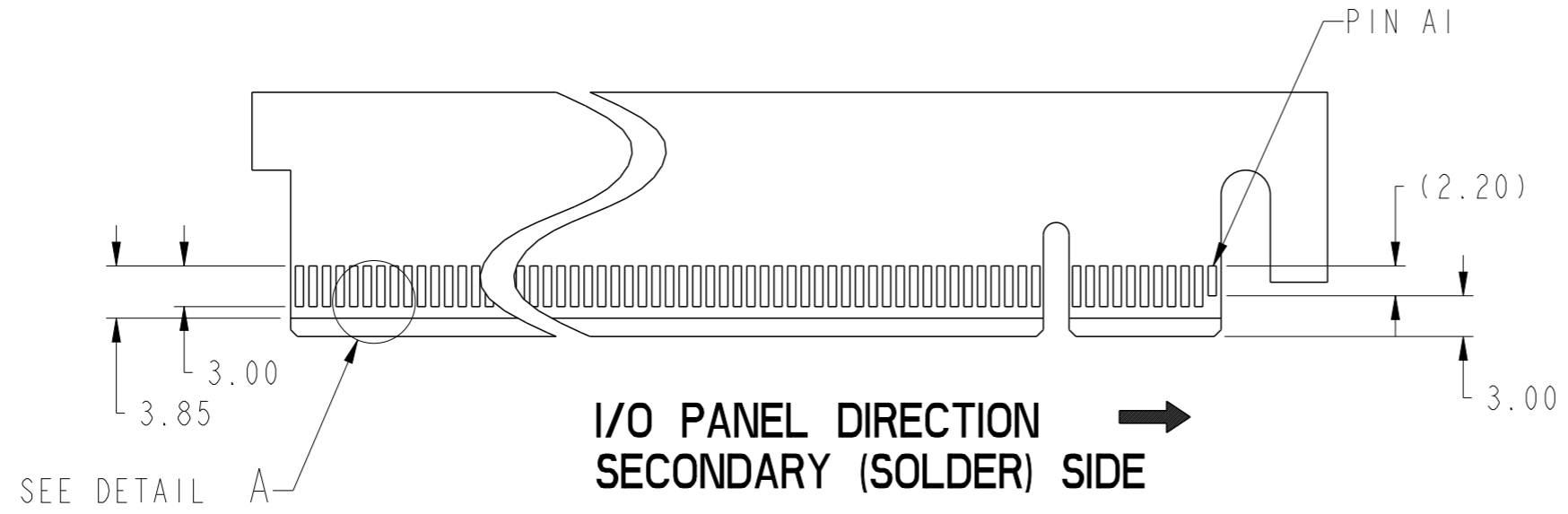
A

B



← I/O PANEL DIRECTION  
PRIMARY (COMPONENT) SIDE

C



I/O PANEL DIRECTION →  
SECONDARY (SOLDER) SIDE

- NO TIE BAR PERMITTED FROM CARD EDGE TO LEADING EDGE OF PAD FOR PIN A1 AND PIN "L".
- CHAMFER EDGES MUST BE FREE OF CUTTING BURRS.
- TOLERANCE : ± 0.13
- CONTACT AFCI ENGINEERING FOR SI REPORT

spec ref	-	dr	Cheong, Matthe	2018/01/10	projection	MM	size	A3	scale	2:1			
tolerance std	ISO 406 ISO 1101	eng	Cheong, Matthe	2018/05/22			ecn no	ELX-S-30246-1	rel level	Released			
surface	linear	chr	-	apppr			Koon-Poh Tay	2018/05/25		product family	PCI express		
	angular	0°	±0.30	0.XX	±0.20	0.XXX	±0.1	Amphenol FCI	PCI Express Gen 5 (32Gb/s)	dwg no	10144667	rev	B
ISO 1302			±0.1	0°	±2°	www.fci.com	cat. no.	Product - Customer Drw	sheet 2 of 4				

Amphenol FCI

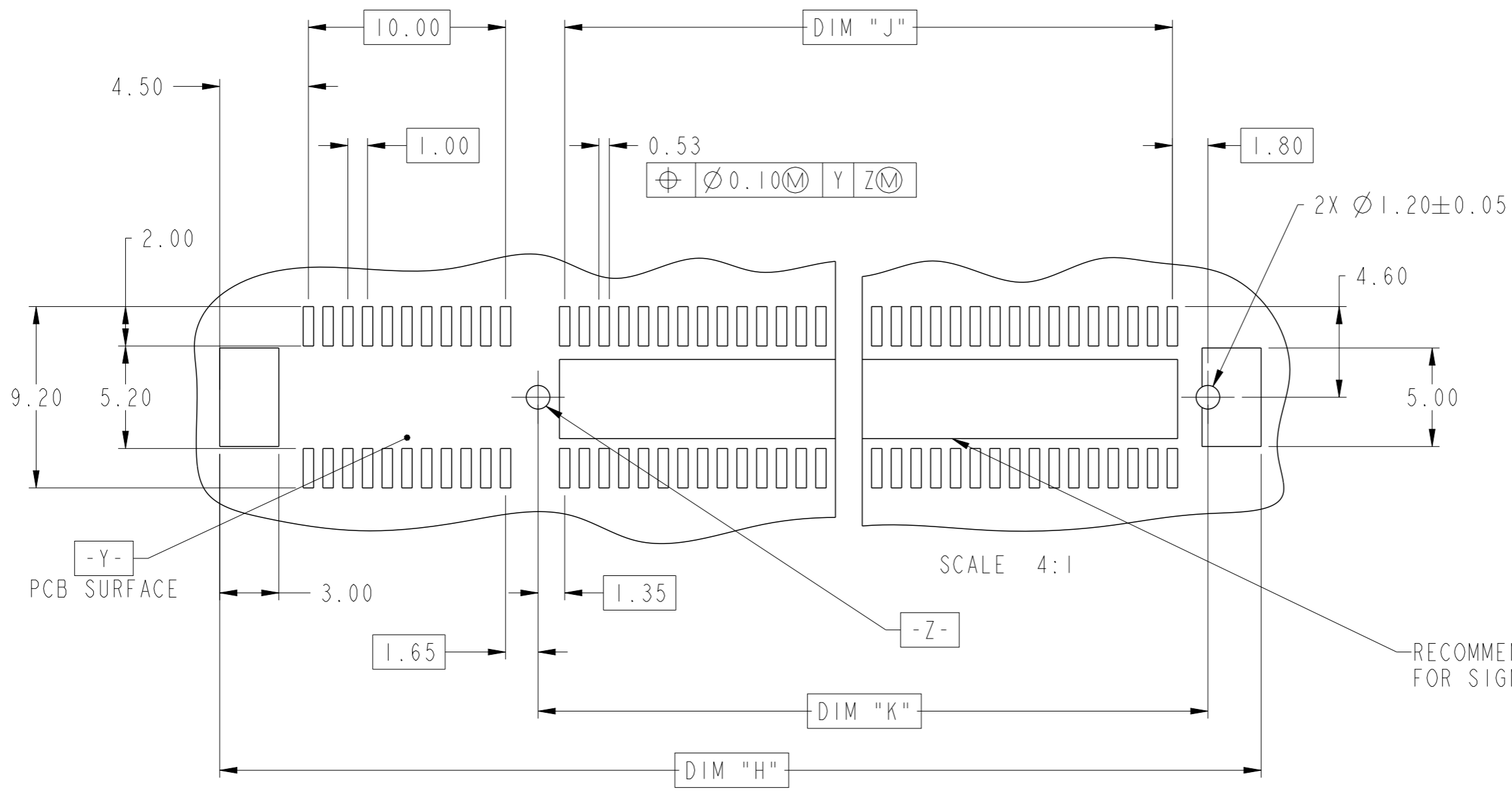
© 2016 AFCI

1

2

3

4



DIMENSIONS								
POSITION	A	B $\begin{smallmatrix} +0.15 \\ -0.05 \end{smallmatrix}$	C $\pm 0.10$	D $\pm 0.23$	E $\pm 0.20$	H $\pm 0.10$	J	K $\pm 0.10$
36	6.00	7.65	9.15	25.00	27.00	28.00	6.00	9.15
64	20.00	21.65	23.15	39.00	41.00	42.00	20.00	23.15
98	37.00	38.65	40.15	56.00	58.00	59.00	37.00	40.15
164	70.00	71.65	73.15	89.00	91.00	92.00	70.00	73.15

spec ref	-	dr	Cheong, Matthe	2018/01/10	projection	MM	size	A3	scale	4:1	
tolerance std	ISO 406 ISO 1101	eng	Cheong, Matthe	2018/05/22			ecn no	ELX-S-30246-1			
surface	-	chr	-	appr			Koon-Poh Tay	2018/05/25	product family	PCI express	
		linear	0.X	$\pm 0.30$	<b>Amphenol FCi</b> www.fci.com	PCI Express Gen 5 (32Gb/s) SMT Type	dwg no	10144667		rev	B
			0.XX	$\pm 0.20$			cat. no.	-	Product - Customer Drw	sheet 3 of 4	
		angular	0°	$\pm 2^\circ$			PDS: Rev :B	STATUS:Released	Printed: May 25, 2018		

PRODUCT NUMBER CODE

10144667-□□□□OLF

HOUSING COLOR

△ B  
1: BLACK

CONTACT AREA PLATING

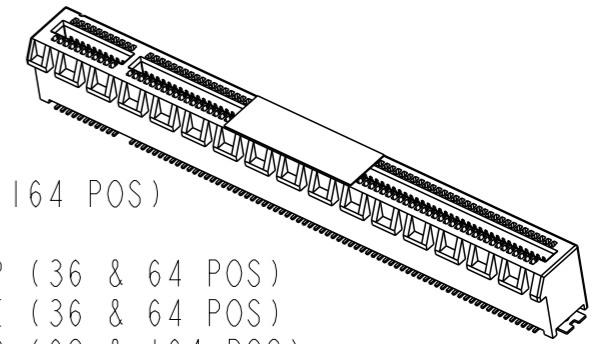
1: 30u" Au  
2: 15u" Au

PACKAGING OPTIONS

△ B  
A: HARD TRAY (DIM: 323 x 136 x 19) WITH KAPTON TAPE (164 POS)  
Q: HARD TRAY (DIM: 323 x 136 x 19) (164 POS)  
C: SOFT TRAY (DIM: 317.5 x 235 x 18) WITH PICK UP CAP (36 & 64 POS)  
T: SOFT TRAY (DIM: 317.5 x 235 x 18) WITH KAPTON TAPE (36 & 64 POS)  
X: HARD TRAY (DIM: 330 x 235 x 19.3) WITH PICK UP CAP (98 & 164 POS)  
Y: HARD TRAY (DIM: 330 x 235 x 19.3 WITH KAPTON TAPE (98 & 164 POS)  
Z: HARD TRAY (DIM: 330 x 235 x 19.3 WITH KAPTON TAPE, 86MM (164 POS)

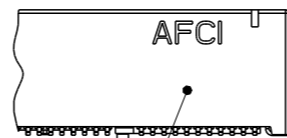
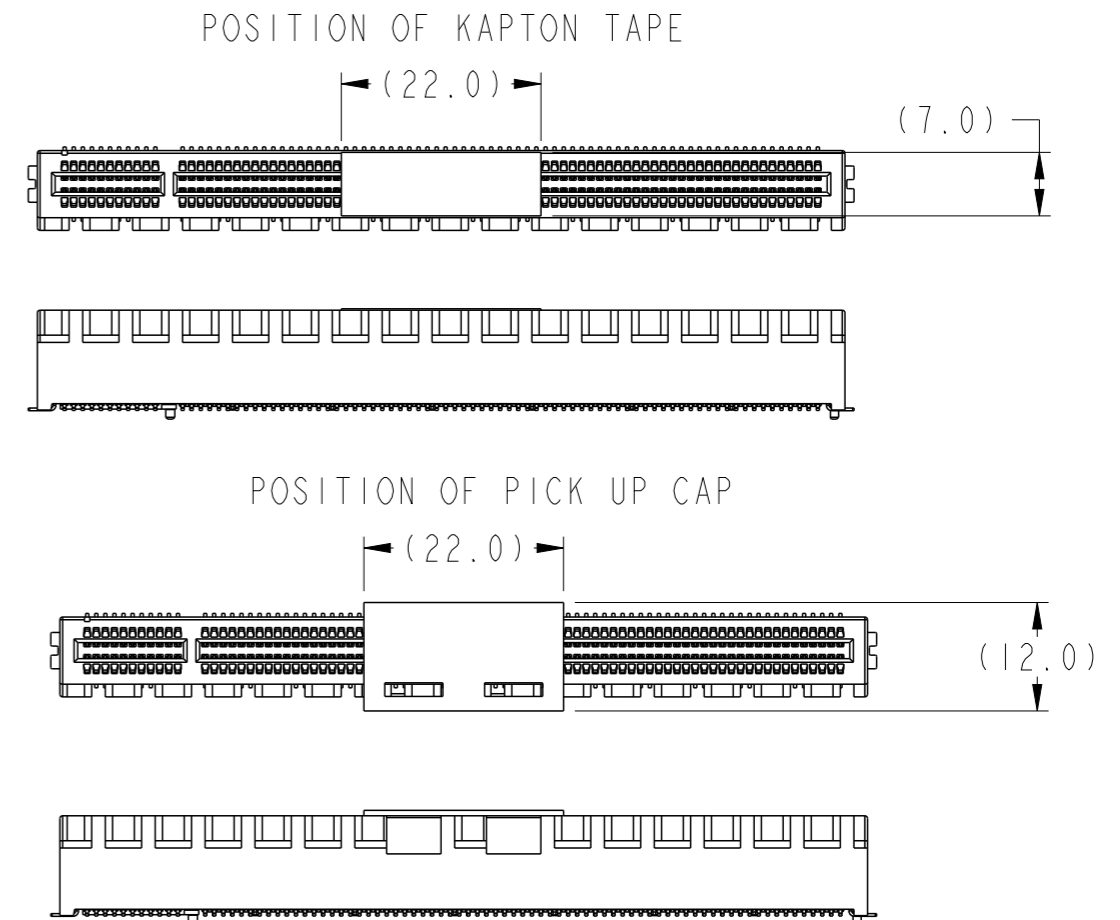
NO. OF POSITION

0: 36 POSITIONS  
1: 64 POSITIONS  
2: 98 POSITIONS  
3: 164 POSITIONS



NOTES:

- MATERIAL:  
HOUSING: HIGH PERFORMANCE RESINS, GLASS FILLED, UL94V-0  
CONTACT: COPPER ALLOY.  
HOLDDOWN CLIPS: COPPER ALLOY
- PLATING:  
CONTACT: UNDERPLATE: 50u" NICKEL OVER ALL.  
SOLDER AREA: 100u" TIN (LEAD FREE).  
MATING AREA: SEE PRODUCT NUMBER CODE.  
HOLDDOWN CLIP: 100u" TIN OVER 50 u" NICKEL.
- PRODUCT SPECIFICATION: GS-12-1406
- PRODUCT MEETS EUROPEAN UNION DIRECTIVES AND OTHER COUNTRY REGULATIONS AS DESCRIBED IN GS-22-008.
- DATE CODE "MMDDYYL", MMDDYY IS ASSEMBLY DATE. " L" IS AFCI PRODUCTION SITE.
- THIS HOUSING WILL WITHSTAND EXPOSURE TO 260° PEAK TEMPERATURE FOR 10 SECONDS IN A CONVECTION, INFRA-RED OR VAPOR PHASE REFLOW OVEN.



DATA CODE & PARTNO

spec ref	-	dr	Cheong, Matthe	2018/01/10	projection	MM	size	A3	scale	2:1	
tolerance std	ISO 406 ISO 1101	eng	Cheong, Matthe	2018/05/22			ecn no	ELX-S-30246-1			
TOLERANCES UNLESS OTHERWISE SPECIFIED		chr	-	-			product family	PCI express	rel level	Released	
surface	linear	appr	Koon-Poh Tay	2018/05/25			dwg no	10144667		rev	B
ISO 1302	angular	<b>Amphenol FCI</b> www.fci.com		cat. no.	Product - Customer Drw		sheet 4 of 4				
	0.X ±0.30			PCI Express Gen 5 (32Gb/s)							
	0.XX ±0.20			SMT Type							
	0.XXX ±0.1										
	0° ±2°										