

MB-i67Q0

Intel® 3rd/ 2nd Gen. Core™ Embedded Micro-ATX Motherboard



Features

- Support Intel® LGA1155 3rd/ 2nd Gen. Core™ Processors
- Support Dual Independent Displays
- Support RS-485 Auto-flow Control
- Support Intel® AMT7.0
- Support RAID 0, 1, 5, 10
- Dual Gigabit Ethernet Ports

System

CPU	Support 2nd and 3rd Generation Intel® Core™ i7/i5/i3/ Pentium® or Celeron® processor in LGA1155 socket
Memory	4 x 240-pin DDR3 DIMM sockets, supporting 1066/1333MHz SDRAM up to 32GB
Chipset	Intel® PCH Q67
BIOS	AMI BIOS
Watchdog Timer	1~255 levels reset

I/O

I/O Chip	Fintek F71869ED + Fintek F81216AD
Serial Port	3 x RS-232 ports 1 x RS-232/422/485 selectable port w/ auto-flow control
Parallel Port	1 x LPT port, supporting SPP/EPP/ECP mode (selectable)
USB Port	14 x USB 2.0 ports
KB/MS	1 x 6-pin wafer connector for PS/2 keyboard and mouse
Digital I/O	16-bit programmable Digital Input/Output
Expansion Bus	1 x PCIe x16 slot 1 x PCIe x1 slot 1 x PCIe x4 interface in x8 slot 1 x PCI slot

Storage	2 x Serial ATA ports with 600MB/s HDD transfer rate 4 x Serial ATA ports with 300MB/s HDD transfer rate
Ethernet Chipset	1 x Intel® 82579LM GbE PHY w/ iAMT 1 x Intel® 82583V GbE controller

Audio Interface	Realtek ALC886 HD Audio Codec, Mic-in/Line-in/Line-out
------------------------	--

Display

Graphics Chipset	Integrated Intel® HD Graphics
Graphics Interface	1 x DVI-I connector, supporting either Analog RGB or DVI, resolution up to 2048 x 1536 for Analog RGB or 1920 x 1200 for TMSD

Recommended CPU List:

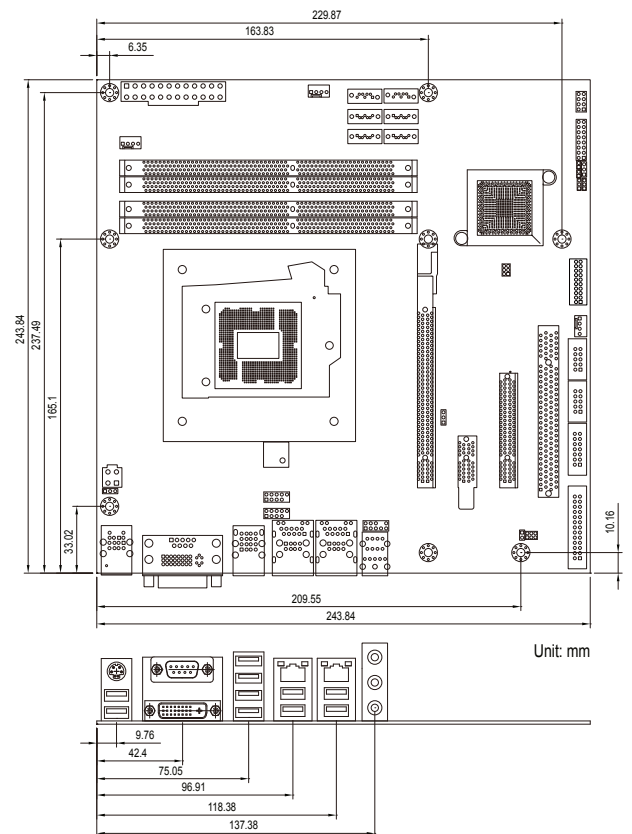
Intel® 3rd Generation
i7-3770 3.4GHz Core™ Processor
i5-3550S 3.0GHz Core™ Processor
i3-3220 3.3GHz Core™ Processor

Intel® 2nd Generation
i7-2600 3.4GHz Core™ Processor
i5-2400 3.1GHz Core™ Processor
i3-2120 3.3GHz Core™ Processor
G850 2.9GHz Pentium® Dual Core Processor
G540 2.5GHz Celeron® Dual Core Processor

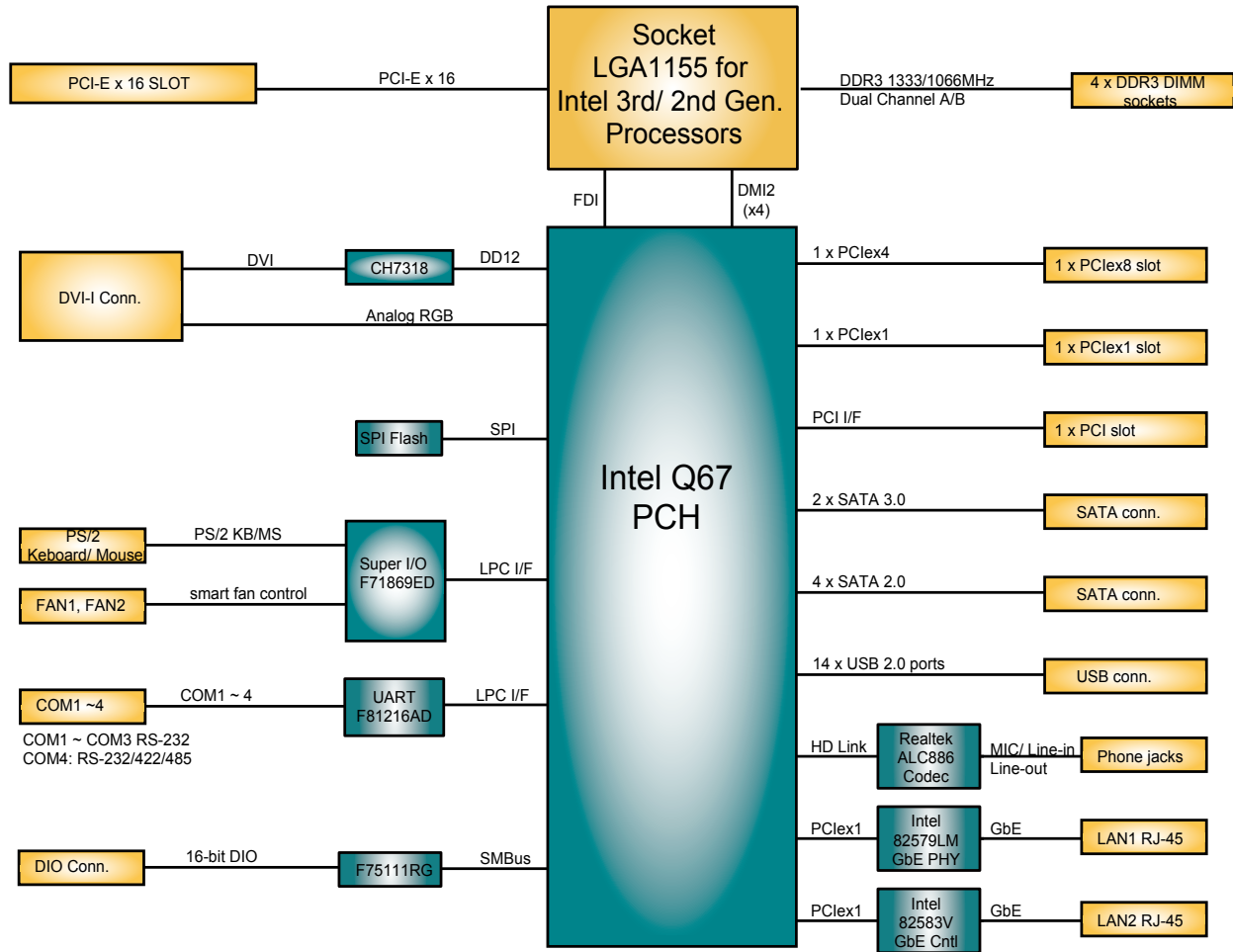
Mechanical & Environmental

Power Requirement	24-pin + 4-pin ATX connector
Power Consumption	6.5A@+12V, 2.2A@5V, 1.3A@3.3V (Typical) with Intel® Core™ i7-2600 3.4GHz processor
Operating Temp.	0 ~ 60°C (32 ~ 140°F)
Operating Humidity	10 ~ 95% @ 60°C (non-condensing)
Dimensions (L x W)	244 x 244 mm (9.6" x 9.6")

Dimensions



Block Diagram



Ordering Information

MB-i67Q0 Intel® LGA1155 socket Core™ i7/i5/i3/Pentium®/Celeron® embedded Micro-ATX motherboard

Optional Accessories

CPF-67Q0-C1 CPU Cooling Fan for LGA1155/1156 CPU

- Cable kit
- 6 x SATA cables
 - 1 x LPT cable
 - 2 x Two ports COM cables
 - 2 x USB cables

CBK-11-67Q0-00