

# MB-i67Q0

## Intel® 3rd/ 2nd Gen. Core™ Embedded Micro-ATX Motherboard



### Features

- Support Intel® LGA1155 3rd/ 2nd Gen. Core™ Processors
- Support Dual Independent Displays
- Support RS-485 Auto-flow Control
- Support Intel® AMT7.0
- Support RAID 0, 1, 5, 10
- Dual Gigabit Ethernet Ports

### System

<b>CPU</b>	Support 2nd and 3rd Generation Intel® Core™ i7/i5/i3/ Pentium® or Celeron® processor in LGA1155 socket
<b>Memory</b>	4 x 240-pin DDR3 DIMM sockets, supporting 1066/1333MHz SDRAM up to 32GB
<b>Chipset</b>	Intel® PCH Q67
<b>BIOS</b>	AMI BIOS
<b>Watchdog Timer</b>	1~255 levels reset

### I/O

<b>I/O Chip</b>	Fintek F71869ED + Fintek F81216AD
<b>Serial Port</b>	3 x RS-232 ports 1 x RS-232/422/485 selectable port w/ auto-flow control
<b>Parallel Port</b>	1 x LPT port, supporting SPP/EPP/ECP mode (selectable)
<b>USB Port</b>	14 x USB 2.0 ports
<b>KB/MS</b>	1 x 6-pin wafer connector for PS/2 keyboard and mouse
<b>Digital I/O</b>	16-bit programmable Digital Input/Output
<b>Expansion Bus</b>	1 x PCIe x16 slot 1 x PCIe x1 slot 1 x PCIe x4 interface in x8 slot 1 x PCI slot

<b>Storage</b>	2 x Serial ATA ports with 600MB/s HDD transfer rate 4 x Serial ATA ports with 300MB/s HDD transfer rate
<b>Ethernet Chipset</b>	1 x Intel® 82579LM GbE PHY w/ iAMT 1 x Intel® 82583V GbE controller

<b>Audio Interface</b>	Realtek ALC886 HD Audio Codec, Mic-in/Line-in/Line-out
------------------------	--

### Display

<b>Graphics Chipset</b>	Integrated Intel® HD Graphics
<b>Graphics Interface</b>	1 x DVI-I connector, supporting either Analog RGB or DVI, resolution up to 2048 x 1536 for Analog RGB or 1920 x 1200 for TMSD

### Recommended CPU List:

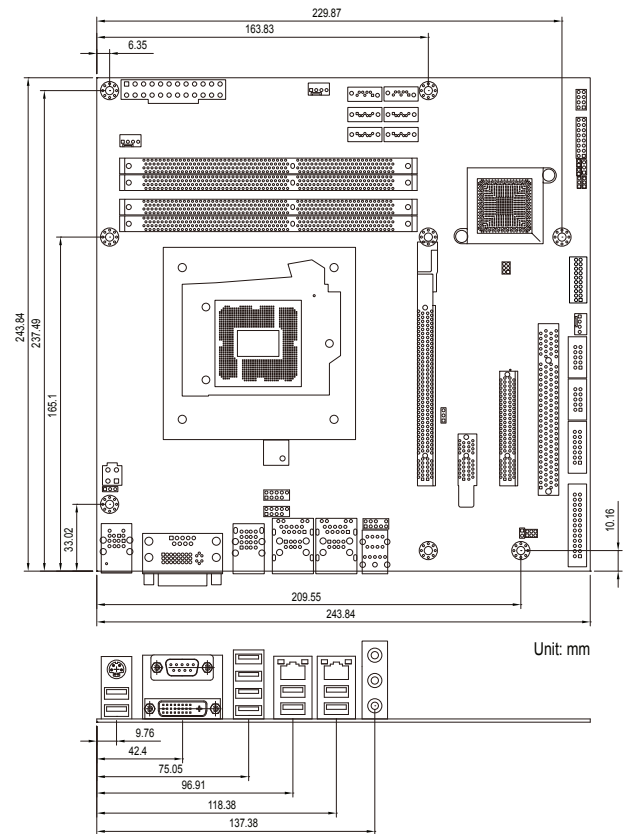
**Intel® 3rd Generation**  
i7-3770 3.4GHz Core™ Processor  
i5-3550S 3.0GHz Core™ Processor  
i3-3220 3.3GHz Core™ Processor

**Intel® 2nd Generation**  
i7-2600 3.4GHz Core™ Processor  
i5-2400 3.1GHz Core™ Processor  
i3-2120 3.3GHz Core™ Processor  
G850 2.9GHz Pentium® Dual Core Processor  
G540 2.5GHz Celeron® Dual Core Processor

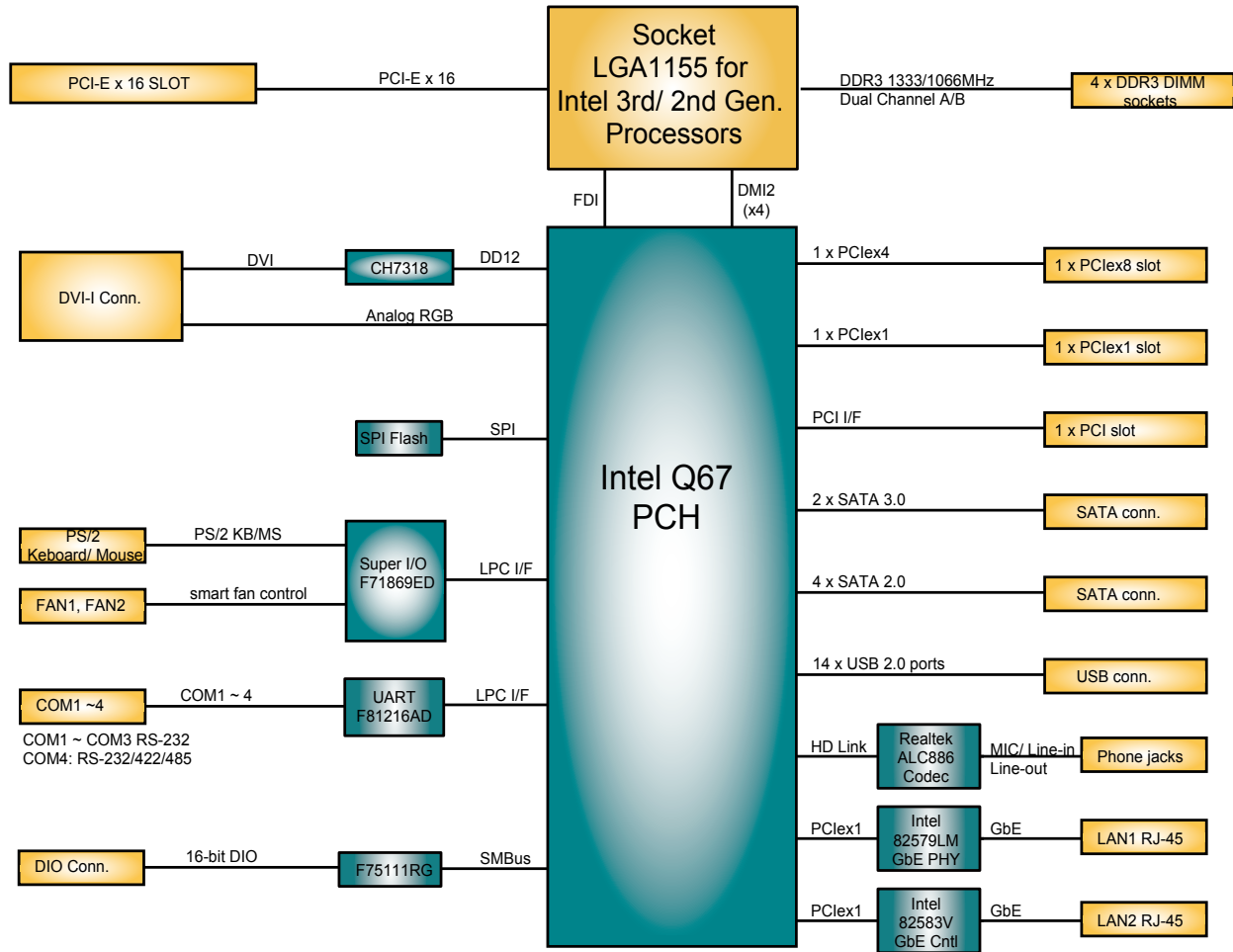
### Mechanical & Environmental

<b>Power Requirement</b>	24-pin + 4-pin ATX connector
<b>Power Consumption</b>	6.5A@+12V, 2.2A@5V, 1.3A@3.3V (Typical) with Intel® Core™ i7-2600 3.4GHz processor
<b>Operating Temp.</b>	0 ~ 60°C (32 ~ 140°F)
<b>Operating Humidity</b>	10 ~ 95% @ 60°C (non-condensing)
<b>Dimensions (L x W)</b>	244 x 244 mm (9.6" x 9.6")

### Dimensions



## Block Diagram



## Ordering Information

### MB-i67Q0

Intel® LGA1155 socket Core™ i7/i5/i3/Pentium®/Celeron® embedded Micro-ATX motherboard

## Optional Accessories

### CPF-67Q0-C1

CPU Cooling Fan for LGA1155/1156 CPU

#### Cable kit

- 6 x SATA cables
- 1 x LPT cable
- 2 x Two ports COM cables
- 2 x USB cables

### CBK-11-67Q0-00