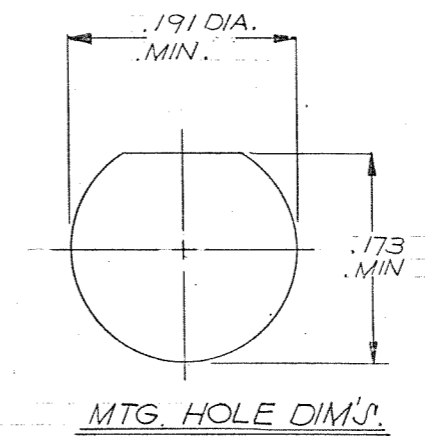
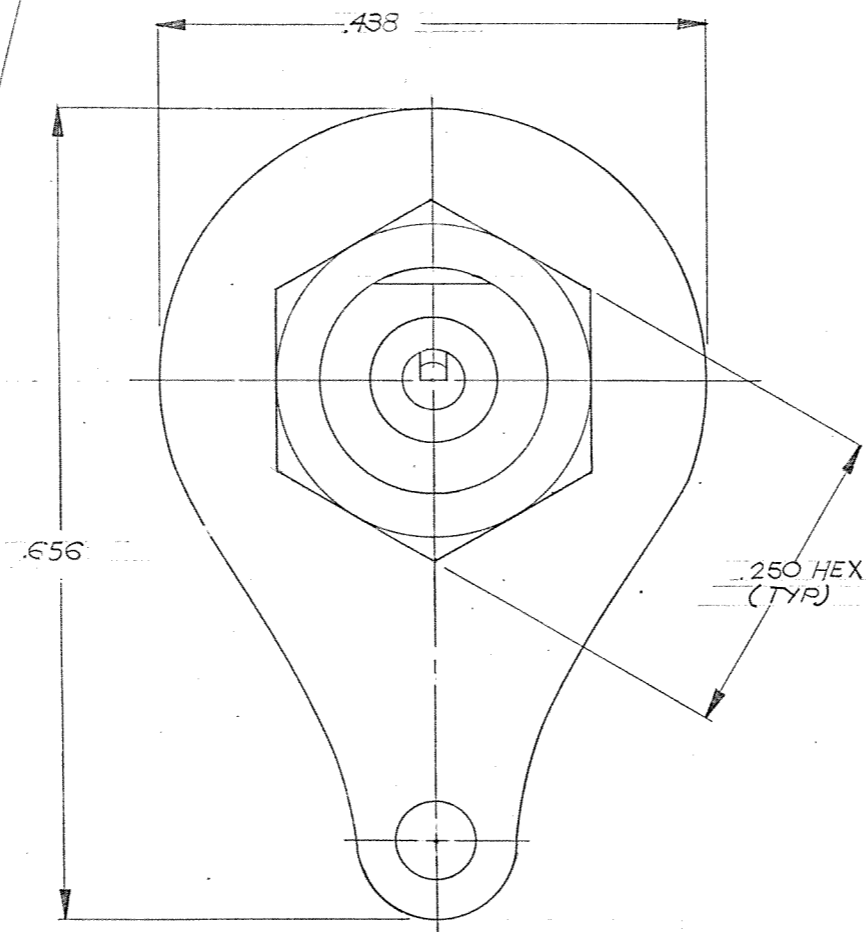
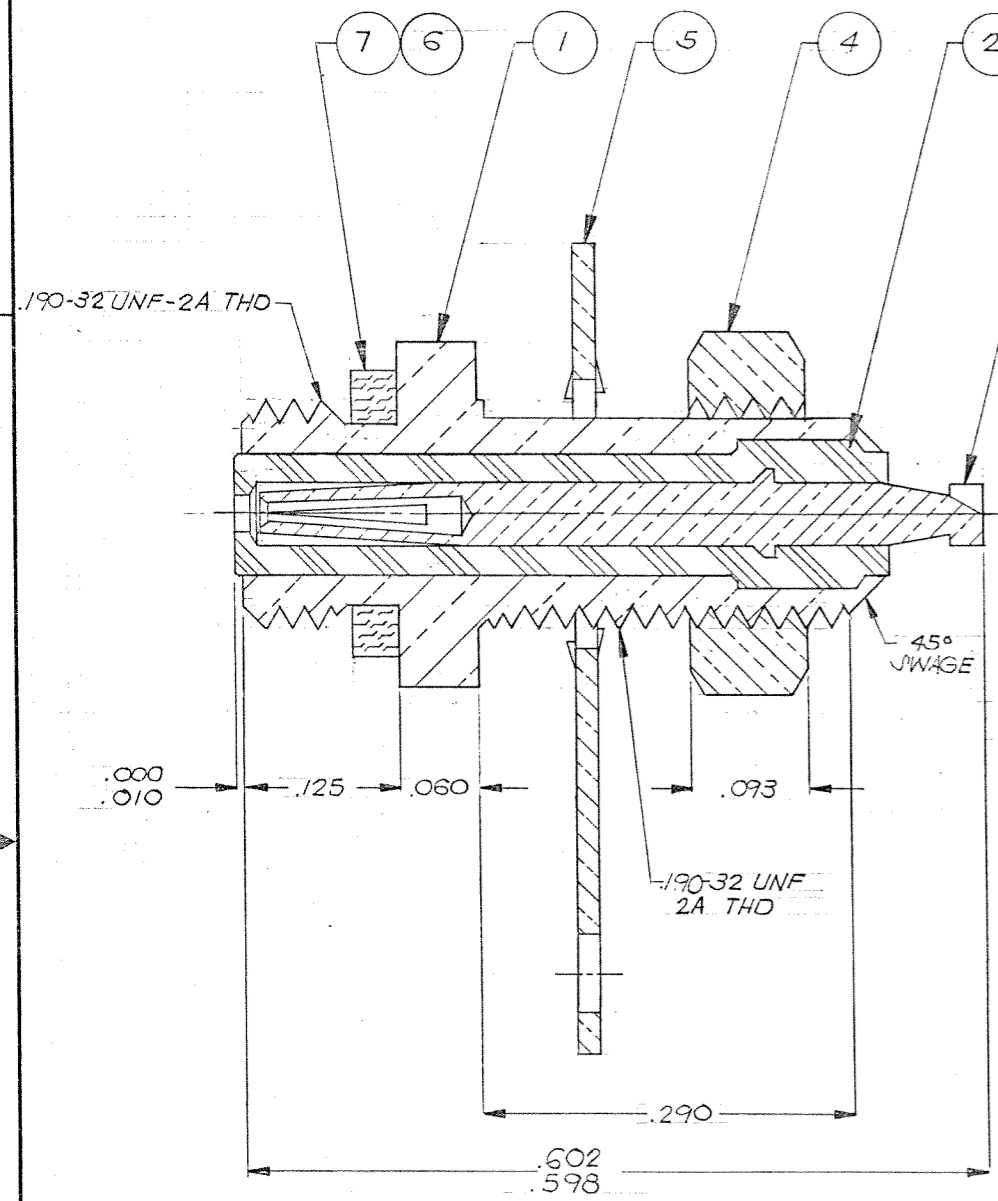


REVISIONS					
ZONE	LTR	ECN	DESCRIPTION	DATE	APPROVED
	P	28902	REVISED & REDRAWN ORIG. RELEASE BY B.T. 6-23-55	8/13/84	hy
	R	39342	UPDATE REV. LETTER	9/12/84	hy

R1 LOAD CORRECT DRAWING



TYCO CUSTOMER DWG 1466288

NOTES: UNLESS OTHERWISE SPECIFIED:

- 1. THIS CONN. MATES WITH ALL PLUGS IN SERIES J-50 AS LISTED IN MICRODOT CATALOG.
- 2. SILVER PLATE .0002" MIN. PER QQ-S-365 TYPE II, GRADE A.
- 3. GOLD PLATE PER MIL-G-45204 TYPE II, GRADE C, CLASS I.
- 4. WORKING VOLTAGE - 750 V.R.M.S.
- 5. INSULATION RESISTANCE - 5×10^9 OHMS MIN.
- 6. PANEL THICKNESS: .160 MAX.

QTY	DESCRIPTION	PART NO.	MATERIAL	SPECIFICATIONS	ITEM NO.
1	GASKET	003-0268-0001	SILICONE RUBBER	PER ZZ-R-765, RED	7
1	GASKET	003-0268-0000	SILICONE RUBBER	PER ZZ-R-765, BLK	6
1	SHAKEPROOF LUG	003-0306-0001	#425 BRONZE ALLOY		5
1	HEX NUT	003-0009-0001	BRASS	PER QQ-B-626	4
1	SOCKET CONTACT	003-1315-0002	BERYLLIUM COPPER	QQ-C-530	3
1	INSULATOR	003-1316-0001	TELFON	PER L-P-403	2
1	HOUSING	003-1317-0001	BRASS	PER QQ-B-626	1
2	PART NUMBERS	DESCRIPTIONS	MAT'L & SPECIFICATIONS	ITEM NOS.	

UNLESS OTHERWISE SPECIFIED DIMENSIONS ARE IN INCHES TOLERANCES ARE: FRACTIONS .XX ± .010 DECIMALS .XX ± .010 ANGLES ± 2°		CONTRACT NO.		MALCO A MICRODOT COMPANY, INC. 220 PASADENA AVE., SO. PASADENA, CALIF. 91030	
MATERIAL		APPROVALS	DATE	PROD. CODE	
NOTED		C. TIONGCO	7-27-84	731	
FINISH		CHECKED		CODE	
NOTED		PR. ENG. hy	8/9/84	COM	
NEXT ASSY		APPD.		SIZE	CODE IDENT NO.
USED ON		These drawings and specifications are the property of Microdot Inc., are issued in strict confidence and shall not be divulged, be reproduced or copied, or used as the basis for the manufacture or sale of any article without written permission of Microdot Inc.		C	98278
APPLICATION		DRAWING NO.		031-0050-000*	
DO NOT SCALE DRAWING		SCALE		SHEET 1 OF 1	