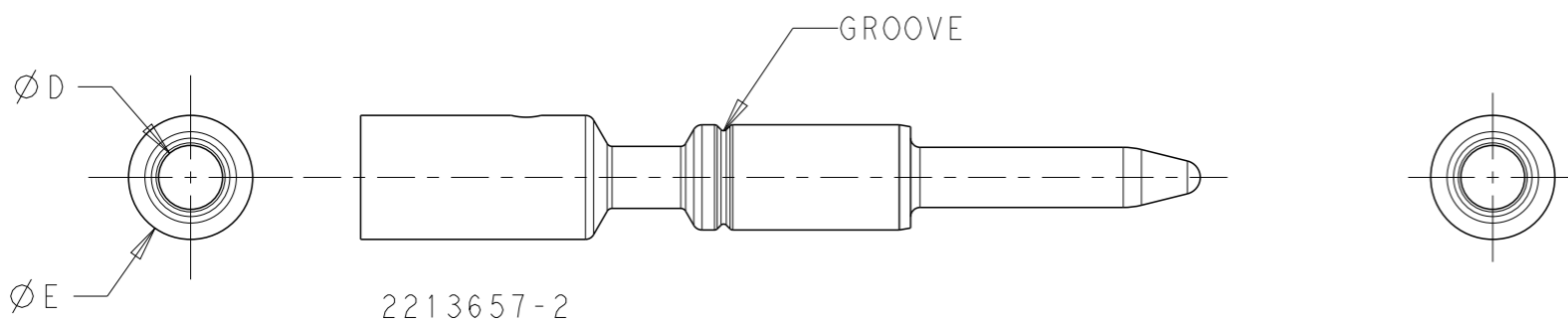
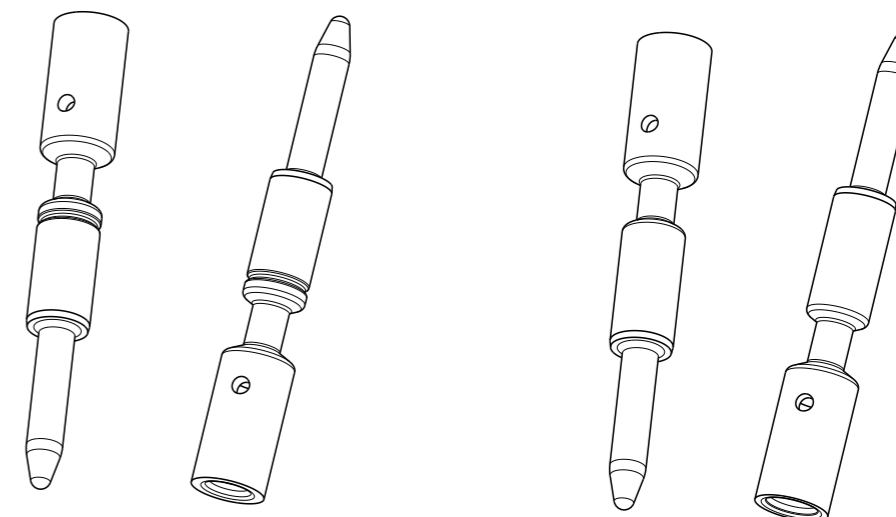
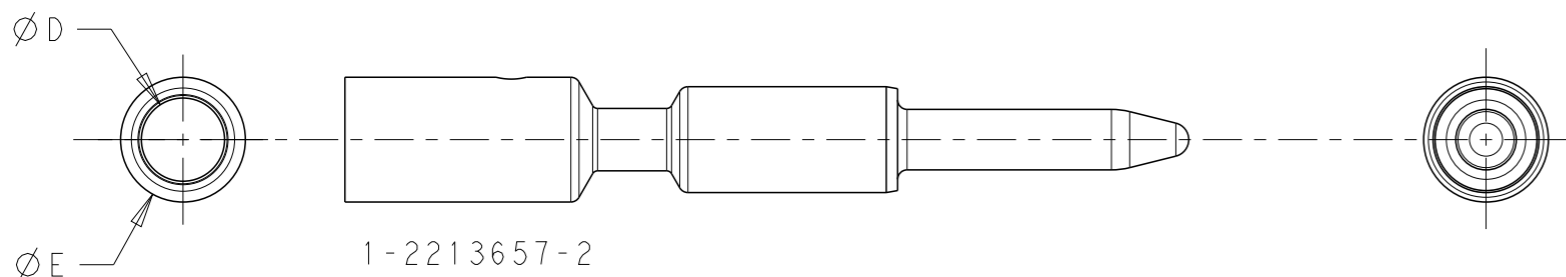
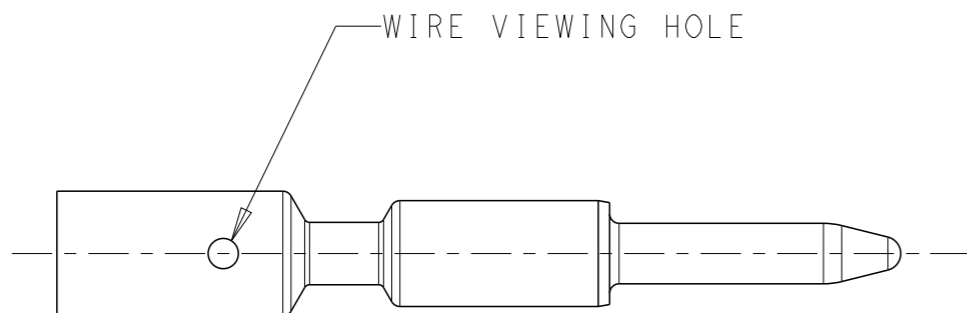


REVISIONS


P	LTR	DESCRIPTION	DATE	DWN	APVD
	A	REVISED AS PER ECR-15-009852	13JUL2015	RS	JL
	A1	REVISED AS PER ECR-15-012327	20AUG2015	RS	JL



NOTES:

- MATERIALS AND FINISH:
COPPER ALLOY, FINISH: Sn OVER Ni
- MUST COMPLY WITH DIRECTIVE 2002/95/EC (ROHS)
- THIS PRODUCT HAS NOT COMPLETED VALIDATION TESTING

2.5	3.30	2.20	0	1-2213657-2
1.5	3.30	1.70	1	2213657-2
WIRE (sqmm)	DIM. "E"	DIM. "D"	NO. OF GROOVES	PART NO

THIS DRAWING IS A CONTROLLED DOCUMENT.		DWN RAVLS 17APR2015	 TE Connectivity		
DIMENSIONS: mm		CHK LATORRE JUSTIN 17APR2015			
TOLERANCES UNLESS OTHERWISE SPECIFIED:		APVD LATORRE JUSTIN 17APR2015	NAME MACHINED PIN CONTACT NECTOR* M-LINE-SEALED		
0 PLC ±- 1 PLC ±0.3 2 PLC ±0.15 3 PLC ±- 4 PLC ±- ANGLES ±-		PRODUCT SPEC 108-133014	SIZE A3		
MATERIAL NOTE 1		APPLICATION SPEC 114-32111	CAGE CODE -	DRAWING NO C-2213657	RESTRICTED TO -
FINISH NOTE 1		WEIGHT -	SCALE 10:1		
		Customer Drawing	SHEET 1 OF 1 REV A1		