

4

3

2

1

THIS DRAWING IS UNPUBLISHED.

RELEASED FOR PUBLICATION

--

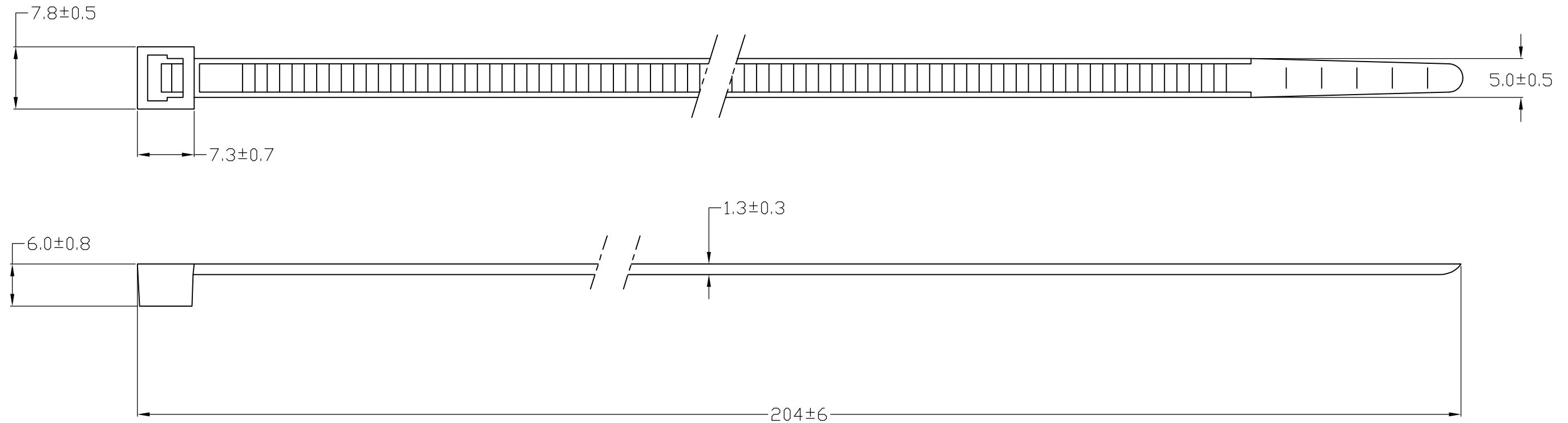
© COPYRIGHT - By -

ALL RIGHTS RESERVED.


LOC	DIST	REVISIONS					
		P	LTR	DESCRIPTION	DATE	DWN	APVD
-	-	C		VENDOR CHANGE	20MAR2012	SP	RP

NOTES:

1. RANGE: $\phi 50$ MAX (BUNDLE SIZE)
2. MIN. TENSILE STRENGTH: 220 N.



1000	BLACK	POLYAMIDE 6.6	4-160975-2
1000	NATURAL	POLYAMIDE 6.6	4-160975-1
100	BLACK	POLYAMIDE 6.6	2-160975-2
100	NATURAL	POLYAMIDE 6.6	2-160975-1
QTY	FINISH	MATERIAL	PART NUMBER

THIS DRAWING IS A CONTROLLED DOCUMENT.		DWN J.V.D.HEIJDEN 27FEB92	 TE Connectivity													
DIMENSIONS: mm		CHK MvDRIEL 18FEB02														
TOLERANCES UNLESS OTHERWISE SPECIFIED:		APVD MvDRIEL 18FEB02	NAME CABLE TY													
<table border="0"> <tr><td>0 PLC</td><td>± -</td></tr> <tr><td>1 PLC</td><td>± -</td></tr> <tr><td>2 PLC</td><td>± -</td></tr> <tr><td>3 PLC</td><td>± -</td></tr> <tr><td>4 PLC</td><td>± -</td></tr> <tr><td>ANGLES</td><td>± -</td></tr> </table>		0 PLC	± -	1 PLC	± -	2 PLC	± -	3 PLC	± -	4 PLC	± -	ANGLES	± -	PRODUCT SPEC -	RESTRICTED TO -	
0 PLC	± -															
1 PLC	± -															
2 PLC	± -															
3 PLC	± -															
4 PLC	± -															
ANGLES	± -															
MATERIAL SEE TABLE		APPLICATION SPEC -	SIZE A3	CAGE CODE 00779	DRAWING NO C-160975											
FINISH SEE TABLE		WEIGHT -	CUSTOMER DRAWING		SCALE NTS											
		SHEET 1 of 1		REV C												