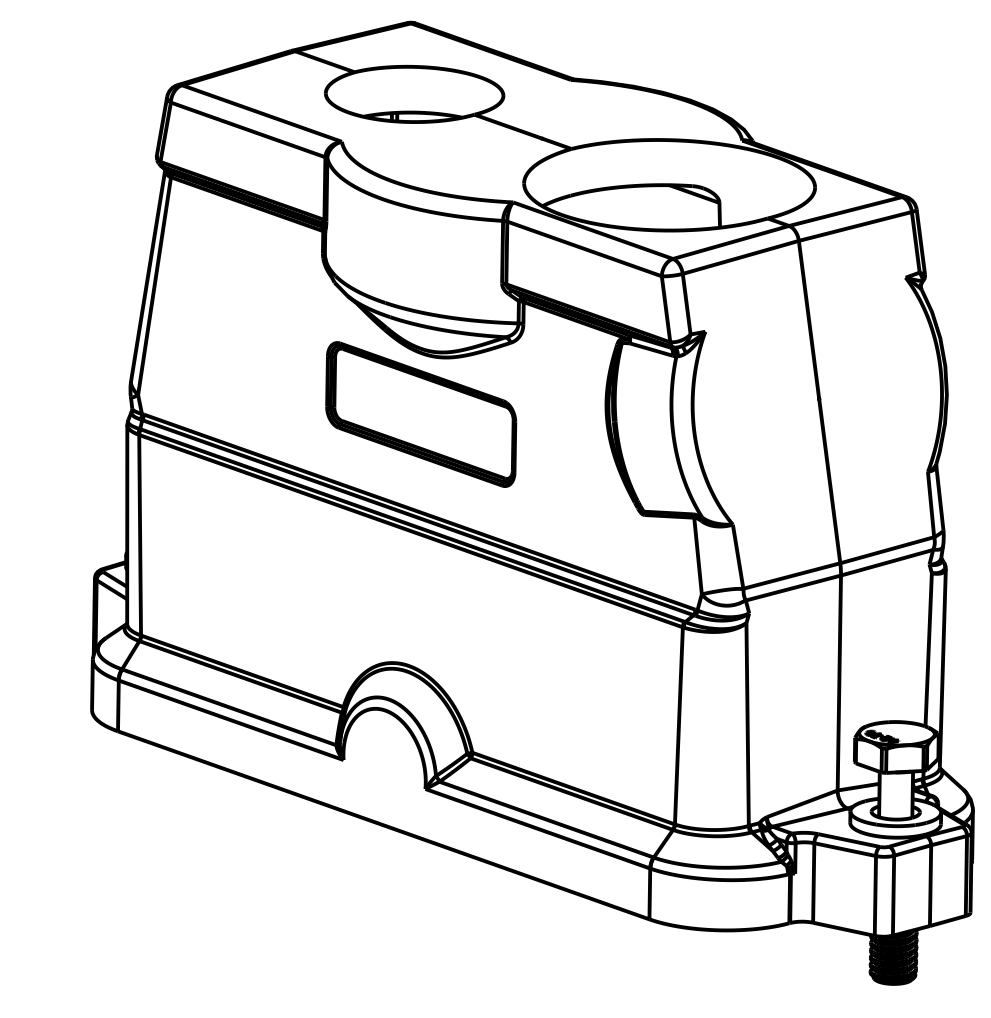
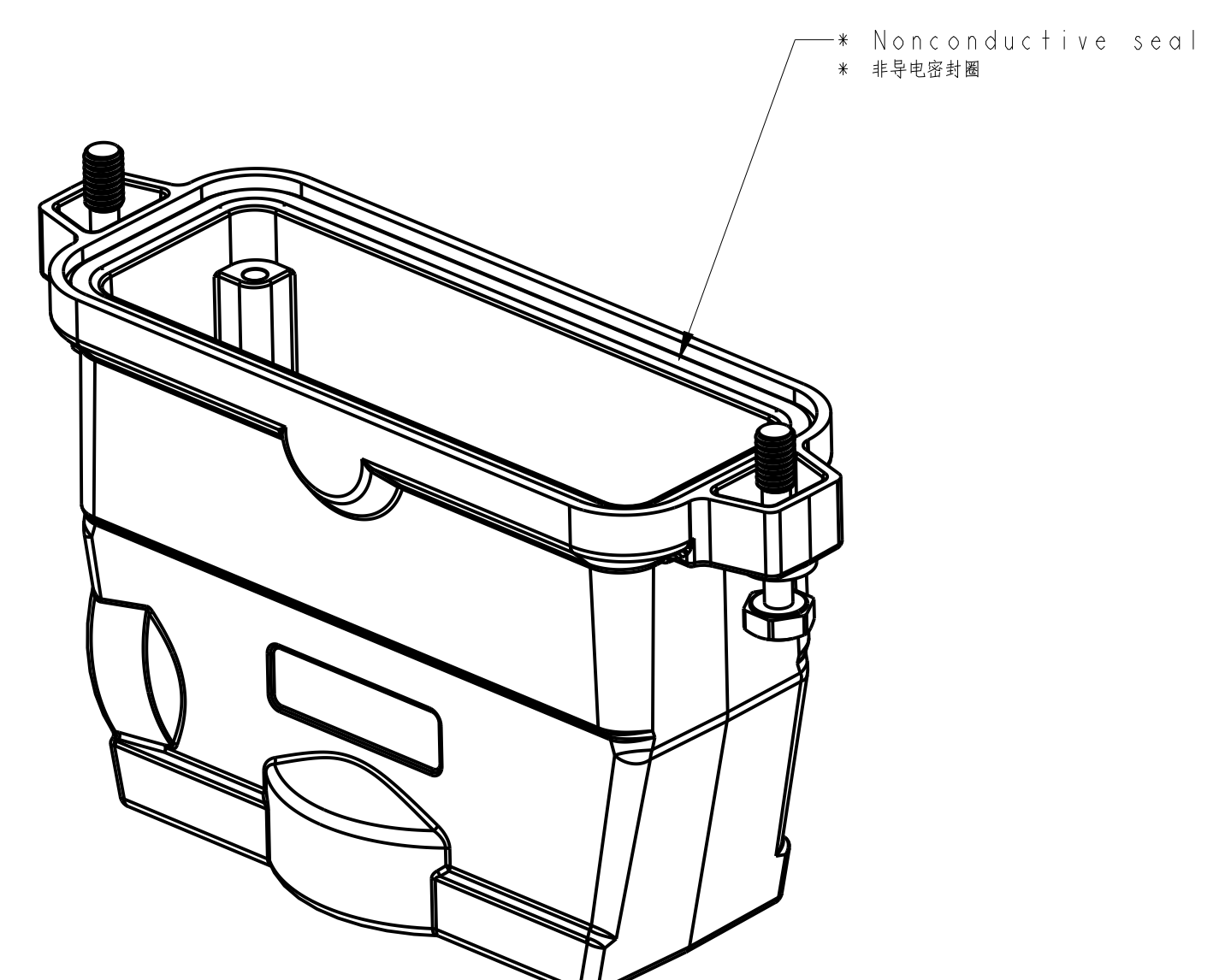
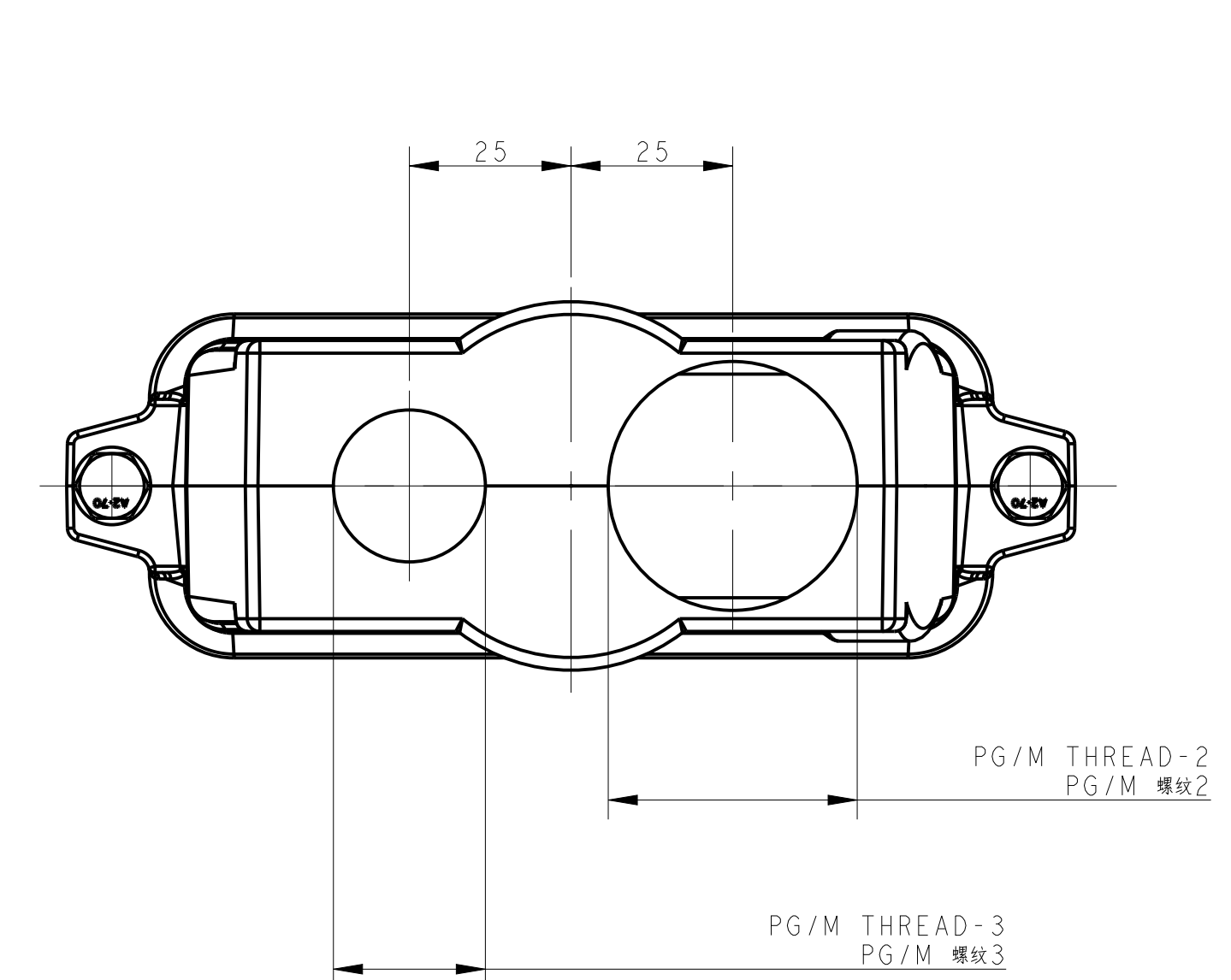




REVISIONS			
REV.	DATE	BY	APPD.
1	SEE SHEET 1		

### TYPE 5 类型5

Two PG/M threads & With nonconductive seal, No Logo  
 两个PG/M螺柱孔及带有非导电密封胶, 无Logo



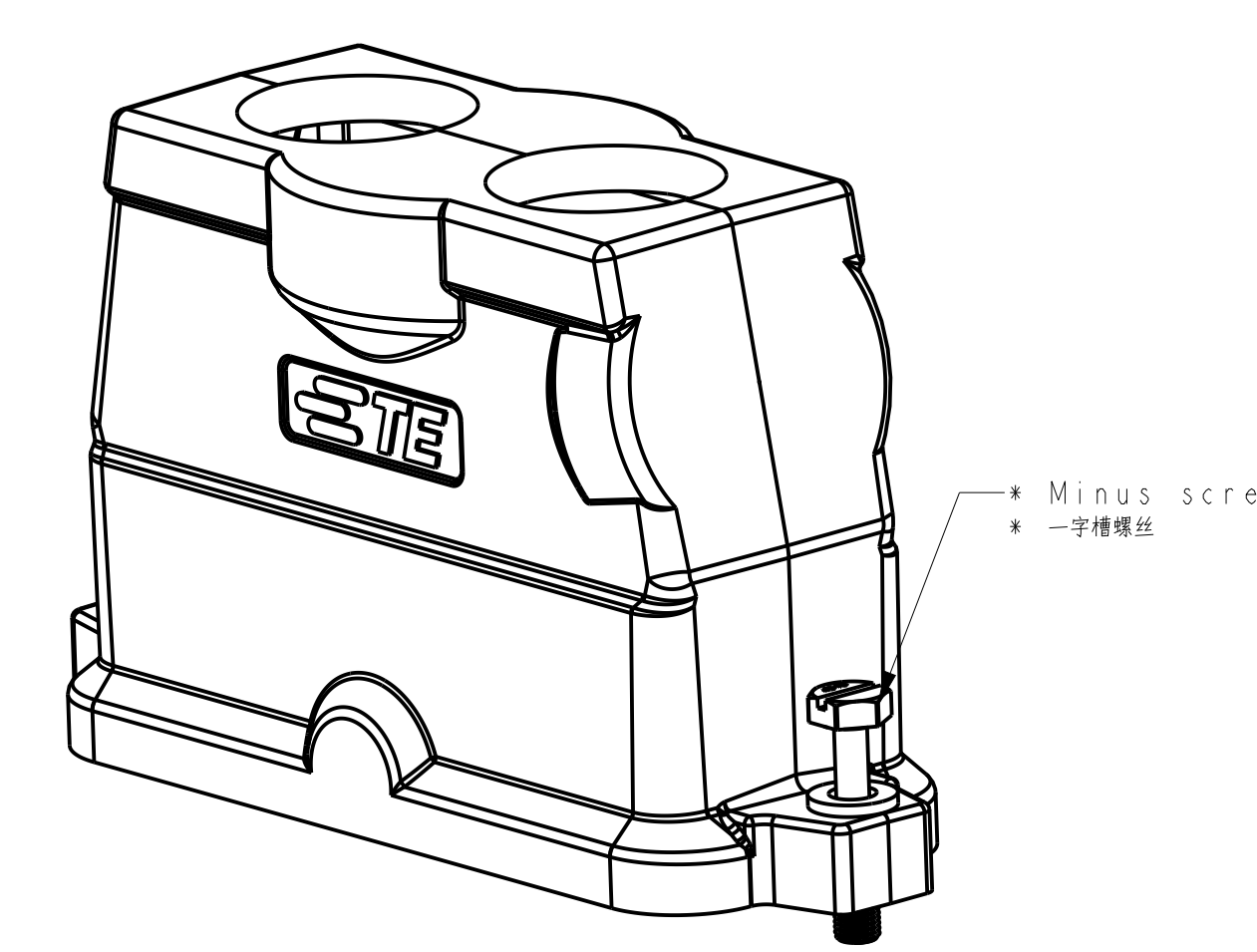
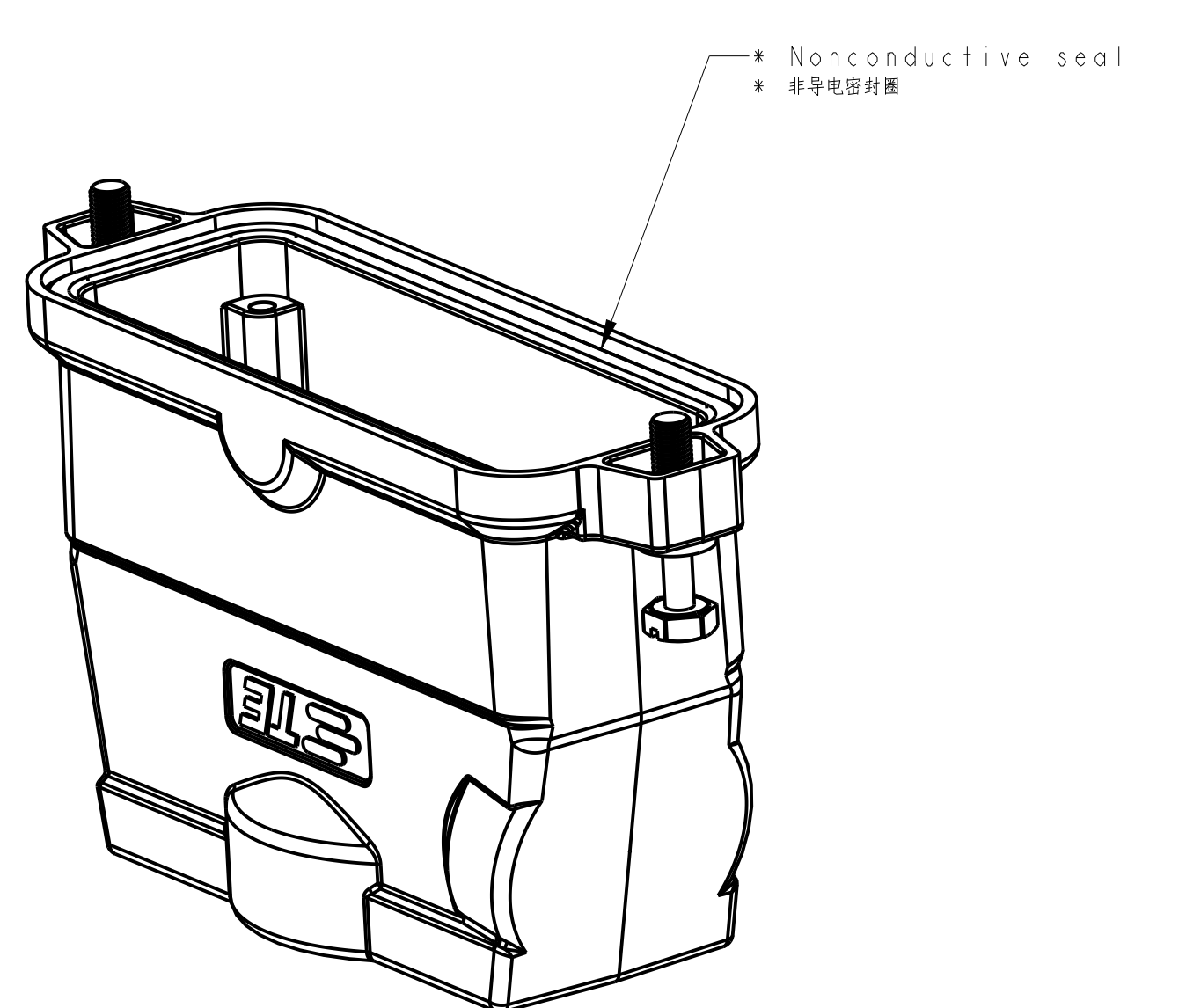
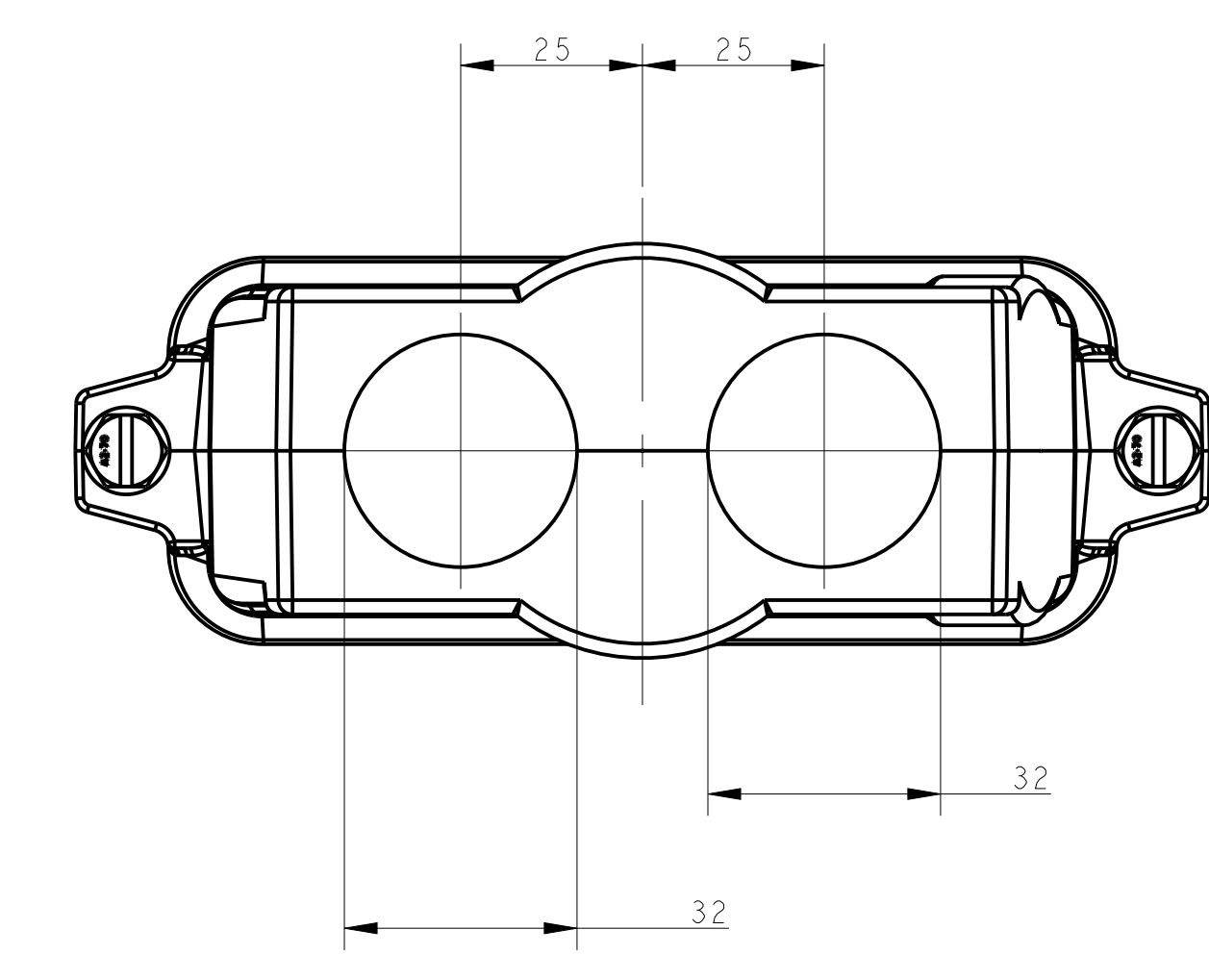
NOTES:  
 1. TECHNICAL CHARACTERISTICS:  
 HOOD MATERIAL: DIE CAST ALUMINIUM ALLOY  
 SURFACE TREATMENT: SEE TABLE  
 DEGREE OF PROTECTION: IP68 (MATED)

注:  
 1. 技术参数:  
 壳体材料: 铝合金  
 表面处理: 见表格  
 防护等级: IP68 (配合)

All dimension is same as TYPE 1, except those defined in this TYPE  
 除了在本类型中定义的尺寸外, 其他尺寸同类型1

### TYPE 6 类型6

Two PG/M threads & With nonconductive seal & Minus screw  
 两个PG/M螺柱孔及带有非导电密封胶及一字槽螺柱



All dimension is same as TYPE 1, except those defined in this TYPE  
 除了在本类型中定义的尺寸外, 其他尺寸同类型1

TYPE 6 类型6	TYPE 4 类型4	TYPE 5 类型5	TYPE 3 类型3	TYPE 2 类型2	TYPE 1 类型1
T1922242232-000 POWDER COATED, GREY 表面喷涂, 灰色	H24BPR-TGHC-2M32	H24BPR HOOD, CENTER LOCKING, MINUS SCREW, TOP ENTRY 2M32, POWDER COATED, GREY H24BPR上盖, 中翻锁, 一字槽螺柱, 顶出2M32, 灰色粉末喷涂	M32	M32	-
T1922242125-001 POWDER COATED, DEEP GREY 表面喷涂, 深灰色	H24BPR-TGHC-M25	H24BPR HOOD, CENTER LOCKING, TOP ENTRY M25, POWDER COATED, DEEP GREY, NO LOGO H24BPR上盖, 中翻锁, 顶出M25, 深灰色粉末喷涂, 无LOGO	-	-	M25
T1922242132-001 POWDER COATED, DEEP GREY 表面喷涂, 深灰色	H24BPR-TGHC-M32	H24BPR HOOD, CENTER LOCKING, TOP ENTRY M32, POWDER COATED, DEEP GREY, NO LOGO H24BPR上盖, 中翻锁, 顶出M32, 深灰色粉末喷涂, 无LOGO	-	-	M32
T1922242150-001 POWDER COATED, DEEP GREY 表面喷涂, 深灰色	H24BPR-TGHC-M50	H24BPR HOOD, CENTER LOCKING, TOP ENTRY M50, POWDER COATED, DEEP GREY, NO LOGO H24BPR上盖, 中翻锁, 顶出M50, 深灰色粉末喷涂, 无LOGO	-	-	M50
T1922242140-001 POWDER COATED, DEEP GREY 表面喷涂, 深灰色	H24BPR-TGHC-M40	H24BPR HOOD, CENTER LOCKING, TOP ENTRY M40, POWDER COATED, DEEP GREY, NO LOGO H24BPR上盖, 中翻锁, 顶出M40, 深灰色粉末喷涂, 无LOGO	-	-	M40
T1922244025-001 POWDER COATED, DEEP GREY 表面喷涂, 深灰色	H24BPR-TGHC-M40/M25	H24BPR HOOD, CENTER LOCKING, TOP ENTRY M40/M25, POWDER COATED, DEEP GREY, NO LOGO H24BPR上盖, 中翻锁, 顶出M40/M25, 深灰色粉末喷涂, 无LOGO	M25	M40	-
T1922241129-001 POWDER COATED, SILVER WHITE 表面喷涂, 银白色	H24BPR-TGHC-PG29	H24BPR HOOD, CENTER LOCKING, TOP ENTRY PG29, POWDER COATED, SILVER WHITE, CONDUCTIVE, THREAD HOLE WITH STEP H24BPR上盖, 中翻锁, 顶出PG29, 银白色粉末喷涂, 导电孔, 螺纹孔带台阶	-	-	PG29
T1922240129-001 POWDER COATED, BLACK 表面喷涂, 黑色	H24BPR-TGHC-PG29	H24BPR HOOD, CENTER LOCKING, TOP ENTRY PG29, POWDER COATED, BLACK, CONDUCTIVE, THREAD HOLE WITH STEP H24BPR上盖, 中翻锁, 顶出PG29, 黑色粉末喷涂, 导电孔, 螺纹孔带台阶	-	-	PG29
T19222411221-000 POWDER COATED, SILVER WHITE 表面喷涂, 银白色	H24BPR-TGHC-2PG21	H24BPR HOOD, CENTER LOCKING, TOP ENTRY 2PG21, POWDER COATED, SILVER WHITE H24BPR上盖, 中翻锁, 顶出2PG21, 银白色粉末喷涂	PG21	PG21	-
T1922241232-000 POWDER COATED, SILVER WHITE 表面喷涂, 银白色	H24BPR-TGHC-M32/M25	H24BPR HOOD, CENTER LOCKING, TOP ENTRY M32/M25, POWDER COATED, SILVER WHITE H24BPR上盖, 中翻锁, 顶出M32/M25, 银白色粉末喷涂	M25	M32	-
T1922244025-000 POWDER COATED, SILVER WHITE 表面喷涂, 银白色	H24BPR-TGHC-M40/M25	H24BPR HOOD, CENTER LOCKING, TOP ENTRY M40/M25, POWDER COATED, SILVER WHITE H24BPR上盖, 中翻锁, 顶出M40/M25, 银白色粉末喷涂	M25	M40	-
T1922241140-000 POWDER COATED, SILVER WHITE 表面喷涂, 银白色	H24BPR-TGHC-M40	H24BPR HOOD, CENTER LOCKING, TOP ENTRY M40, POWDER COATED, SILVER WHITE H24BPR上盖, 中翻锁, 顶出M40, 银白色粉末喷涂	-	-	M40
T1922241136-000 POWDER COATED, SILVER WHITE 表面喷涂, 银白色	H24BPR-TGHC-PG36	H24BPR HOOD, CENTER LOCKING, TOP ENTRY PG36, POWDER COATED, SILVER WHITE H24BPR上盖, 中翻锁, 顶出PG36, 银白色粉末喷涂	-	-	PG36
T1922241132-000 POWDER COATED, SILVER WHITE 表面喷涂, 银白色	H24BPR-TGHC-M32	H24BPR HOOD, CENTER LOCKING, TOP ENTRY M32, POWDER COATED, SILVER WHITE H24BPR上盖, 中翻锁, 顶出M32, 银白色粉末喷涂	-	-	M32
T1922241129-000 POWDER COATED, SILVER WHITE 表面喷涂, 银白色	H24BPR-TGHC-PG29	H24BPR HOOD, CENTER LOCKING, TOP ENTRY PG29, POWDER COATED, SILVER WHITE H24BPR上盖, 中翻锁, 顶出PG29, 银白色粉末喷涂	-	-	PG29
T1922241125-000 POWDER COATED, SILVER WHITE 表面喷涂, 银白色	H24BPR-TGHC-M25	H24BPR HOOD, CENTER LOCKING, TOP ENTRY M25, POWDER COATED, SILVER WHITE H24BPR上盖, 中翻锁, 顶出M25, 银白色粉末喷涂	-	-	M25
T1922241121-000 POWDER COATED, SILVER WHITE 表面喷涂, 银白色	H24BPR-TGHC-PG21	H24BPR HOOD, CENTER LOCKING, TOP ENTRY PG21, POWDER COATED, SILVER WHITE H24BPR上盖, 中翻锁, 顶出PG21, 银白色粉末喷涂	-	-	PG21
T1922240140-000 POWDER COATED, BLACK 表面喷涂, 黑色	H24BPR-TGHC-M40	H24BPR HOOD, CENTER LOCKING, TOP ENTRY M40, POWDER COATED, BLACK H24BPR上盖, 中翻锁, 顶出M40, 黑色粉末喷涂	-	-	M40
T1922240136-000 POWDER COATED, BLACK 表面喷涂, 黑色	H24BPR-TGHC-PG36	H24BPR HOOD, CENTER LOCKING, TOP ENTRY PG36, POWDER COATED, BLACK H24BPR上盖, 中翻锁, 顶出PG36, 黑色粉末喷涂	-	-	PG36
T1922240132-000 POWDER COATED, BLACK 表面喷涂, 黑色	H24BPR-TGHC-M32	H24BPR HOOD, CENTER LOCKING, TOP ENTRY M32, POWDER COATED, BLACK H24BPR上盖, 中翻锁, 顶出M32, 黑色粉末喷涂	-	-	M32
T1922240129-000 POWDER COATED, BLACK 表面喷涂, 黑色	H24BPR-TGHC-PG29	H24BPR HOOD, CENTER LOCKING, TOP ENTRY PG29, POWDER COATED, BLACK H24BPR上盖, 中翻锁, 顶出PG29, 黑色粉末喷涂	-	-	PG29
T1922240125-000 POWDER COATED, BLACK 表面喷涂, 黑色	H24BPR-TGHC-M25	H24BPR HOOD, CENTER LOCKING, TOP ENTRY M25, POWDER COATED, BLACK H24BPR上盖, 中翻锁, 顶出M25, 黑色粉末喷涂	-	-	M25
T1922240121-000 POWDER COATED, BLACK 表面喷涂, 黑色	H24BPR-TGHC-PG21	H24BPR HOOD, CENTER LOCKING, TOP ENTRY PG21, POWDER COATED, BLACK H24BPR上盖, 中翻锁, 顶出PG21, 黑色粉末喷涂	-	-	PG21

PG/M THREAD-3 PG/M 螺柱3	PG/M THREAD-2 PG/M 螺柱2	PG/M THREAD-1 PG/M 螺柱1	TYPE 类型
THIS DRAWING IS A CONTROLLED DOCUMENT. 此图是受控文件。 DIMENSIONS: (mm) 尺寸: 0 PLC, 1 PLC, 2 PLC, 3 PLC, 4 PLC, 5 PLC, 6 PLC, 7 PLC, 8 PLC, 9 PLC, 10 PLC, 11 PLC, 12 PLC, 13 PLC, 14 PLC, 15 PLC, 16 PLC, 17 PLC, 18 PLC, 19 PLC, 20 PLC, 21 PLC, 22 PLC, 23 PLC, 24 PLC, 25 PLC, 26 PLC, 27 PLC, 28 PLC, 29 PLC, 30 PLC, 31 PLC, 32 PLC, 33 PLC, 34 PLC, 35 PLC, 36 PLC, 37 PLC, 38 PLC, 39 PLC, 40 PLC, 41 PLC, 42 PLC, 43 PLC, 44 PLC, 45 PLC, 46 PLC, 47 PLC, 48 PLC, 49 PLC, 50 PLC, 51 PLC, 52 PLC, 53 PLC, 54 PLC, 55 PLC, 56 PLC, 57 PLC, 58 PLC, 59 PLC, 60 PLC, 61 PLC, 62 PLC, 63 PLC, 64 PLC, 65 PLC, 66 PLC, 67 PLC, 68 PLC, 69 PLC, 70 PLC, 71 PLC, 72 PLC, 73 PLC, 74 PLC, 75 PLC, 76 PLC, 77 PLC, 78 PLC, 79 PLC, 80 PLC, 81 PLC, 82 PLC, 83 PLC, 84 PLC, 85 PLC, 86 PLC, 87 PLC, 88 PLC, 89 PLC, 90 PLC, 91 PLC, 92 PLC, 93 PLC, 94 PLC, 95 PLC, 96 PLC, 97 PLC, 98 PLC, 99 PLC, 100 PLC, 101 PLC, 102 PLC, 103 PLC, 104 PLC, 105 PLC, 106 PLC, 107 PLC, 108 PLC, 109 PLC, 110 PLC, 111 PLC, 112 PLC, 113 PLC, 114 PLC, 115 PLC, 116 PLC, 117 PLC, 118 PLC, 119 PLC, 120 PLC, 121 PLC, 122 PLC, 123 PLC, 124 PLC, 125 PLC, 126 PLC, 127 PLC, 128 PLC, 129 PLC, 130 PLC, 131 PLC, 132 PLC, 133 PLC, 134 PLC, 135 PLC, 136 PLC, 137 PLC, 138 PLC, 139 PLC, 140 PLC, 141 PLC, 142 PLC, 143 PLC, 144 PLC, 145 PLC, 146 PLC, 147 PLC, 148 PLC, 149 PLC, 150 PLC, 151 PLC, 152 PLC, 153 PLC, 154 PLC, 155 PLC, 156 PLC, 157 PLC, 158 PLC, 159 PLC, 160 PLC, 161 PLC, 162 PLC, 163 PLC, 164 PLC, 165 PLC, 166 PLC, 167 PLC, 168 PLC, 169 PLC, 170 PLC, 171 PLC, 172 PLC, 173 PLC, 174 PLC, 175 PLC, 176 PLC, 177 PLC, 178 PLC, 179 PLC, 180 PLC, 181 PLC, 182 PLC, 183 PLC, 184 PLC, 185 PLC, 186 PLC, 187 PLC, 188 PLC, 189 PLC, 190 PLC, 191 PLC, 192 PLC, 193 PLC, 194 PLC, 195 PLC, 196 PLC, 197 PLC, 198 PLC, 199 PLC, 200 PLC, 201 PLC, 202 PLC, 203 PLC, 204 PLC, 205 PLC, 206 PLC, 207 PLC, 208 PLC, 209 PLC, 210 PLC, 211 PLC, 212 PLC, 213 PLC, 214 PLC, 215 PLC, 216 PLC, 217 PLC, 218 PLC, 219 PLC, 220 PLC, 221 PLC, 222 PLC, 223 PLC, 224 PLC, 225 PLC, 226 PLC, 227 PLC, 228 PLC, 229 PLC, 230 PLC, 231 PLC, 232 PLC, 233 PLC, 234 PLC, 235 PLC, 236 PLC, 237 PLC, 238 PLC, 239 PLC, 240 PLC, 241 PLC, 242 PLC, 243 PLC, 244 PLC, 245 PLC, 246 PLC, 247 PLC, 248 PLC, 249 PLC, 250 PLC, 251 PLC, 252 PLC, 253 PLC, 254 PLC, 255 PLC, 256 PLC, 257 PLC, 258 PLC, 259 PLC, 260 PLC, 261 PLC, 262 PLC, 263 PLC, 264 PLC, 265 PLC, 266 PLC, 267 PLC, 268 PLC, 269 PLC, 270 PLC, 271 PLC, 272 PLC, 273 PLC, 274 PLC, 275 PLC, 276 PLC, 277 PLC, 278 PLC, 279 PLC, 280 PLC, 281 PLC, 282 PLC, 283 PLC, 284 PLC, 285 PLC, 286 PLC, 287 PLC, 288 PLC, 289 PLC, 290 PLC, 291 PLC, 292 PLC, 293 PLC, 294 PLC, 295 PLC, 296 PLC, 297 PLC, 298 PLC, 299 PLC, 300 PLC, 301 PLC, 302 PLC, 303 PLC, 304 PLC, 305 PLC, 306 PLC, 307 PLC, 308 PLC, 309 PLC, 310 PLC, 311 PLC, 312 PLC, 313 PLC, 314 PLC, 315 PLC, 316 PLC, 317 PLC, 318 PLC, 319 PLC, 320 PLC, 321 PLC, 322 PLC, 323 PLC, 324 PLC, 325 PLC, 326 PLC, 327 PLC, 328 PLC, 329 PLC, 330 PLC, 331 PLC, 332 PLC, 333 PLC, 334 PLC, 335 PLC, 336 PLC, 337 PLC, 338 PLC, 339 PLC, 340 PLC, 341 PLC, 342 PLC, 343 PLC, 344 PLC, 345 PLC, 346 PLC, 347 PLC, 348 PLC, 349 PLC, 350 PLC, 351 PLC, 352 PLC, 353 PLC, 354 PLC, 355 PLC, 356 PLC, 357 PLC, 358 PLC, 359 PLC, 360 PLC, 361 PLC, 362 PLC, 363 PLC, 364 PLC, 365 PLC, 366 PLC, 367 PLC, 368 PLC, 369 PLC, 370 PLC, 371 PLC, 372 PLC, 373 PLC, 374 PLC, 375 PLC, 376 PLC, 377 PLC, 378 PLC, 379 PLC, 380 PLC, 381 PLC, 382 PLC, 383 PLC, 384 PLC, 385 PLC, 386 PLC, 387 PLC, 388 PLC, 389 PLC, 390 PLC, 391 PLC, 392 PLC, 393 PLC, 394 PLC, 395 PLC, 396 PLC, 397 PLC, 398 PLC, 399 PLC, 400 PLC, 401 PLC, 402 PLC, 403 PLC, 404 PLC, 405 PLC, 406 PLC, 407 PLC, 408 PLC, 409 PLC, 410 PLC, 411 PLC, 412 PLC, 413 PLC, 414 PLC, 415 PLC, 416 PLC, 417 PLC, 418 PLC, 419 PLC, 420 PLC, 421 PLC, 422 PLC, 423 PLC, 424 PLC, 425 PLC, 426 PLC, 427 PLC, 428 PLC, 429 PLC, 430 PLC, 431 PLC, 432 PLC, 433 PLC, 434 PLC, 435 PLC, 436 PLC, 437 PLC, 438 PLC, 439 PLC, 440 PLC, 441 PLC, 442 PLC, 443 PLC, 444 PLC, 445 PLC, 446 PLC, 447 PLC, 448 PLC, 449 PLC, 450 PLC, 451 PLC, 452 PLC, 453 PLC, 454 PLC, 455 PLC, 456 PLC, 457 PLC, 458 PLC, 459 PLC, 460 PLC, 461 PLC, 462 PLC, 463 PLC, 464 PLC, 465 PLC, 466 PLC, 467 PLC, 468 PLC, 469 PLC, 470 PLC, 471 PLC, 472 PLC, 473 PLC, 474 PLC, 475 PLC, 476 PLC, 477 PLC, 478 PLC, 479 PLC, 480 PLC, 481 PLC, 482 PLC, 483 PLC, 484 PLC, 485 PLC, 486 PLC, 487 PLC, 488 PLC, 489 PLC, 490 PLC, 491 PLC, 492 PLC, 493 PLC, 494 PLC, 495 PLC, 496 PLC, 497 PLC, 498 PLC, 499 PLC, 500 PLC, 501 PLC, 502 PLC, 503 PLC, 504 PLC, 505 PLC, 506 PLC, 507 PLC, 508 PLC, 509 PLC, 510 PLC, 511 PLC, 512 PLC, 513 PLC, 514 PLC, 515 PLC, 516 PLC, 517 PLC, 518 PLC, 519 PLC, 520 PLC, 521 PLC, 522 PLC, 523 PLC, 524 PLC, 525 PLC, 526 PLC, 527 PLC, 528 PLC, 529 PLC, 530 PLC, 531 PLC, 532 PLC, 533 PLC, 534 PLC, 535 PLC, 536 PLC, 537 PLC, 538 PLC, 539 PLC, 540 PLC, 541 PLC, 542 PLC, 543 PLC, 544 PLC, 545 PLC, 546 PLC, 547 PLC, 548 PLC, 549 PLC, 550 PLC, 551 PLC, 552 PLC, 553 PLC, 554 PLC, 555 PLC, 556 PLC, 557 PLC, 558 PLC, 559 PLC, 560 PLC, 561 PLC, 562 PLC, 563 PLC, 564 PLC, 565 PLC, 566 PLC, 567 PLC, 568 PLC, 569 PLC, 570 PLC, 571 PLC, 572 PLC, 573 PLC, 574 PLC, 575 PLC, 576 PLC, 577 PLC, 578 PLC, 579 PLC, 580 PLC, 581 PLC, 582 PLC, 583 PLC, 584 PLC, 585 PLC, 586 PLC, 587 PLC, 588 PLC, 589 PLC, 590 PLC, 591 PLC, 592 PLC, 593 PLC, 594 PLC, 595 PLC, 596 PLC, 597 PLC, 598 PLC, 599 PLC, 600 PLC, 601 PLC, 602 PLC, 603 PLC, 604 PLC, 605 PLC, 606 PLC, 607 PLC, 608 PLC, 609 PLC, 610 PLC, 611 PLC, 612 PLC, 613 PLC, 614 PLC, 615 PLC, 616 PLC, 617 PLC, 618 PLC, 619 PLC, 620 PLC, 621 PLC, 622 PLC, 623 PLC, 624 PLC, 625 PLC, 626 PLC, 627 PLC, 628 PLC, 629 PLC, 630 PLC, 631 PLC, 632 PLC, 633 PLC, 634 PLC, 635 PLC, 636 PLC, 637 PLC, 638 PLC, 639 PLC, 640 PLC, 641 PLC, 642 PLC, 643 PLC, 644 PLC, 645 PLC, 646 PLC, 647 PLC, 648 PLC, 649 PLC, 650 PLC, 651 PLC, 652 PLC, 653 PLC, 654 PLC, 655 PLC, 656 PLC, 657 PLC, 658 PLC, 659 PLC, 660 PLC, 661 PLC, 662 PLC, 663 PLC, 664 PLC, 665 PLC, 666 PLC, 667 PLC, 668 PLC, 669 PLC, 670 PLC, 671 PLC, 672 PLC, 673 PLC, 674 PLC, 675 PLC, 676 PLC, 677 PLC, 678 PLC, 679 PLC, 680 PLC, 681 PLC, 682 PLC, 683 PLC, 684 PLC, 685 PLC, 686 PLC, 687 PLC, 688 PLC, 689 PLC, 690 PLC, 691 PLC, 692 PLC, 693 PLC, 694 PLC, 695 PLC, 696 PLC, 697 PLC, 698 PLC, 699 PLC, 700 PLC, 701 PLC, 702 PLC, 703 PLC, 704 PLC, 705 PLC, 706 PLC, 707 PLC, 708 PLC, 709 PLC, 710 PLC, 711 PLC, 712 PLC, 713 PLC, 714 PLC, 715 PLC, 716 PLC, 717 PLC, 718 PLC, 719 PLC, 720 PLC, 721 PLC, 722 PLC, 723 PLC, 724 PLC, 725 PLC, 726 PLC, 727 PLC, 728 PLC, 729 PLC, 730 PLC, 731 PLC, 732 PLC, 733 PLC, 734 PLC, 735 PLC, 736 PLC, 737 PLC, 738 PLC, 739 PLC, 740 PLC, 741 PLC, 742 PLC, 743 PLC, 744 PLC, 745 PLC, 746 PLC, 747 PLC, 748 PLC, 749 PLC, 750 PLC, 751 PLC, 752 PLC, 753 PLC, 754 PLC, 755 PLC, 756 PLC, 757 PLC, 758 PLC, 759 PLC, 760 PLC, 761 PLC, 762 PLC, 763 PLC, 764 PLC, 765 PLC, 766 PLC, 767 PLC, 768 PLC, 769 PLC, 770 PLC, 771 PLC, 772 PLC, 773 PLC, 774 PLC, 775 PLC, 776 PLC, 777 PLC, 778 PLC, 779 PLC, 780 PLC, 781 PLC, 782 PLC, 783 PLC, 784 PLC, 785 PLC, 786 PLC, 787 PLC, 788 PLC, 789 PLC, 790 PLC, 791 PLC, 792 PLC, 793 PLC, 794 PLC, 795 PLC, 796 PLC, 797 PLC, 798 PLC, 799 PLC, 800 PLC, 801 PLC, 802 PLC, 803 PLC, 804 PLC, 805 PLC, 806 PLC, 807 PLC, 808 PLC, 809 PLC, 810 PLC, 811 PLC, 812 PLC, 813 PLC, 814 PLC, 815 PLC, 816 PLC, 817 PLC, 818 PLC, 819 PLC, 820 PLC, 821 PLC, 822 PLC, 823 PLC, 824 PLC, 825 PLC, 826 PLC, 827 PLC, 828 PLC, 829 PLC, 830 PLC, 831 PLC, 832 PLC, 833 PLC, 834 PLC, 835 PLC, 836 PLC, 837 PLC, 838 PLC, 839 PLC, 840 PLC, 841 PLC, 842 PLC, 843 PLC, 844 PLC, 845 PLC, 846 PLC, 847 PLC, 848 PLC, 849 PLC, 850 PLC, 851 PLC, 852 PLC, 853 PLC, 854 PLC, 855 PLC, 856 PLC, 857 PLC, 858 PLC, 859 PLC, 860 PLC, 861 PLC, 862 PLC, 863 PLC, 864 PLC, 865 PLC, 866 PLC, 867 PLC, 868 PLC, 869 PLC, 870 PLC, 871 PLC, 872 PLC, 873 PLC, 874 PLC, 875 PLC, 876 PLC, 877 PLC, 878 PLC, 879 PLC, 880 PLC, 881 PLC, 882 PLC, 883 PLC, 884 PLC, 885 PLC, 886 PLC, 887 PLC, 888 PLC, 889 PLC, 890 PLC, 891 PLC, 892 PLC, 893 PLC, 894 PLC, 895 PLC, 896 PLC, 897 PLC, 898 PLC, 899 PLC, 900 PLC, 901 PLC, 902 PLC, 903 PLC, 904 PLC, 905 PLC, 906 PLC, 907 PLC, 908 PLC, 909 PLC, 910 PLC, 911 PLC, 912 PLC, 913 PLC, 914 PLC, 915 PLC, 916 PLC, 917 PLC, 918 PLC, 919 PLC, 920 PLC, 921 PLC, 922 PLC, 923 PLC, 924 PLC, 925 PLC, 926 PLC, 927 PLC, 928 PLC, 929 PLC, 930 PLC, 931 PLC, 932 PLC, 933 PLC, 934 PLC, 935 PLC, 936 PLC, 937 PLC, 938 PLC, 939 PLC, 940 PLC, 941 PLC, 942 PLC, 943 PLC, 944 PLC, 945 PLC, 946 PLC, 947 PLC, 948 PLC, 949 PLC, 950 PLC, 951 PLC, 952 PLC, 953 PLC, 954 PLC, 955 PLC, 956 PLC, 957 PLC, 958 PLC, 959 PLC, 960 PLC, 961 PLC, 962 PLC, 963 PLC, 964 PLC, 965 PLC, 966 PLC, 967 PLC, 968 PLC, 969 PLC, 970 PLC, 971 PLC, 972 PLC, 973 PLC, 974 PLC, 975 PLC, 976 PLC, 977 PLC, 978 PLC, 979 PLC, 980 PLC, 981 PLC, 982 PLC, 983 PLC, 984 PLC, 985 PLC, 986 PLC, 987 PLC, 988 PLC, 989 PLC, 990 PLC, 991 PLC, 992 PLC, 993 PLC, 994 PLC, 995 PLC, 996 PLC, 997 PLC, 998 PLC, 999 PLC, 1000 PLC, 1001 PLC, 1002 PLC, 1003 PLC, 1004 PLC, 1005 PLC, 1006 PLC, 1007 PLC, 1008 PLC, 1009 PLC, 1010 PLC, 1011 PLC, 1012 PLC, 1013 PLC, 1014 PLC, 1015 PLC, 1016 PLC, 1017 PLC, 1018 PLC, 1019 PLC, 1020 PLC, 1021 PLC, 1022 PLC, 1023 PLC, 1024 PLC, 1025 PLC, 1026 PLC, 1027 PLC, 1028 PLC, 1029 PLC, 1030 PLC, 1031 PLC, 1032 PLC, 1033 PLC, 1034 PLC, 1035 PLC, 1036 PLC, 1037 PLC, 1038 PLC, 1039 PLC, 1040 PLC, 1041 PLC, 1042 PLC, 1043 PLC, 1044 PLC, 1045 PLC, 1046 PLC, 1047 PLC, 1048 PLC, 1049 PLC, 1050 PLC, 1051 PLC, 1052 PLC, 1053 PLC, 1054 PLC, 1055 PLC, 1056 PLC, 1057 PLC, 1058 PLC, 1059 PLC, 1060 PLC, 1061 PLC, 1062 PLC, 1063 PLC, 1064 PLC, 1065 PLC, 1066 PLC, 1067 PLC, 1068 PLC, 1069 PLC, 1070 PLC, 1071 PLC, 1072 PLC, 1073 PLC, 1074 PLC, 1075 PLC, 1076 PLC, 1077 PLC, 1078 PLC, 1079 PLC, 1080 PLC, 1081 PLC, 1082 PLC, 1083 PLC, 1084 PLC, 1085 PLC, 1086 PLC, 1087 PLC, 1088 PLC, 1089 PLC, 1090 PLC, 1091 PLC, 1092 PLC, 1093 PLC, 1094 PLC, 1095 PLC, 1096 PLC, 1097 PLC, 1098 PLC, 1099 PLC, 1100 PLC, 1101 PLC, 1102 PLC, 1103 PLC, 1104 PLC, 1105 PLC, 1106 PLC, 1107 PLC, 1108 PLC, 1109 PLC, 1110 PLC, 1111 PLC, 1112 PLC, 1113 PLC, 1114 PLC, 1115 PLC, 1116 PLC, 1117 PLC, 1118 PLC, 1119 PLC, 1120 PLC, 1121 PLC, 1122 PLC, 1123 PLC, 1124 PLC, 1125 PLC, 1126 PLC, 1127 PLC, 1128 PLC, 1129 PLC, 1130 PLC, 1131 PLC, 1132 PLC, 1133 PLC, 1134 PLC, 1135 PLC, 1136 PLC, 1137 PLC, 1138 PLC, 1139 PLC, 1140 PLC, 1141 PLC, 1142 PLC, 1143 PLC, 1144 PLC, 1145 PLC, 1146 PLC, 1147 PLC, 1148 PLC, 1149 PLC, 1150 PLC, 1151 PLC, 1152 PLC, 1153 PLC, 1154 PLC, 1155 PLC, 1156 PLC, 1157 PLC, 1158 PLC, 1159 PLC, 1160 PLC, 1161 PLC, 1162 PLC, 1163 PLC, 1164 PLC, 1165 PLC, 1166 PLC, 1167 PLC, 1168 PLC, 1169 PLC, 1170 PLC, 1171 PLC, 1172 PLC, 1173 PLC, 1174 PLC, 1175 PLC, 1176 PLC, 1177 PLC, 1178 PLC, 1179 PLC, 1180 PLC, 1181 PLC, 1182 PLC, 1183 PLC, 1184 PLC, 1185 PLC, 1186 PLC, 1187 PLC, 1188 PLC, 1189 PLC, 1190 PLC, 1191 PLC, 1192 PLC, 1193 PLC, 1194 PLC, 1195 PLC, 1196 PLC, 1197 PLC, 1198 PLC, 1199 PLC, 1200 PLC, 1201 PLC, 1202 PLC, 1203 PLC, 1204 PLC, 1205 PLC, 1206 PLC, 1207 PLC, 1208 PLC, 1209 PLC, 1210 PLC, 1211 PLC, 1212 PLC, 1213 PLC, 1214 PLC, 1215 PLC, 1216 PLC, 1217 PLC, 1218 PLC, 1219 PLC, 1220 PLC, 1221 PLC, 1222 PLC, 1223 PLC, 1224 PLC, 1225 PLC, 1226 PLC, 1227 PLC, 1228 PLC, 1229 PLC, 1230 PLC, 1231 PLC, 1232 PLC, 1233 PLC, 1234 PLC, 1235 PLC, 1236 PLC, 1237 PLC, 1238 PLC, 1239 PLC, 1240 PLC, 1241 PLC, 1242 PLC, 1243 PLC, 1244 PLC, 1245 PLC, 12			