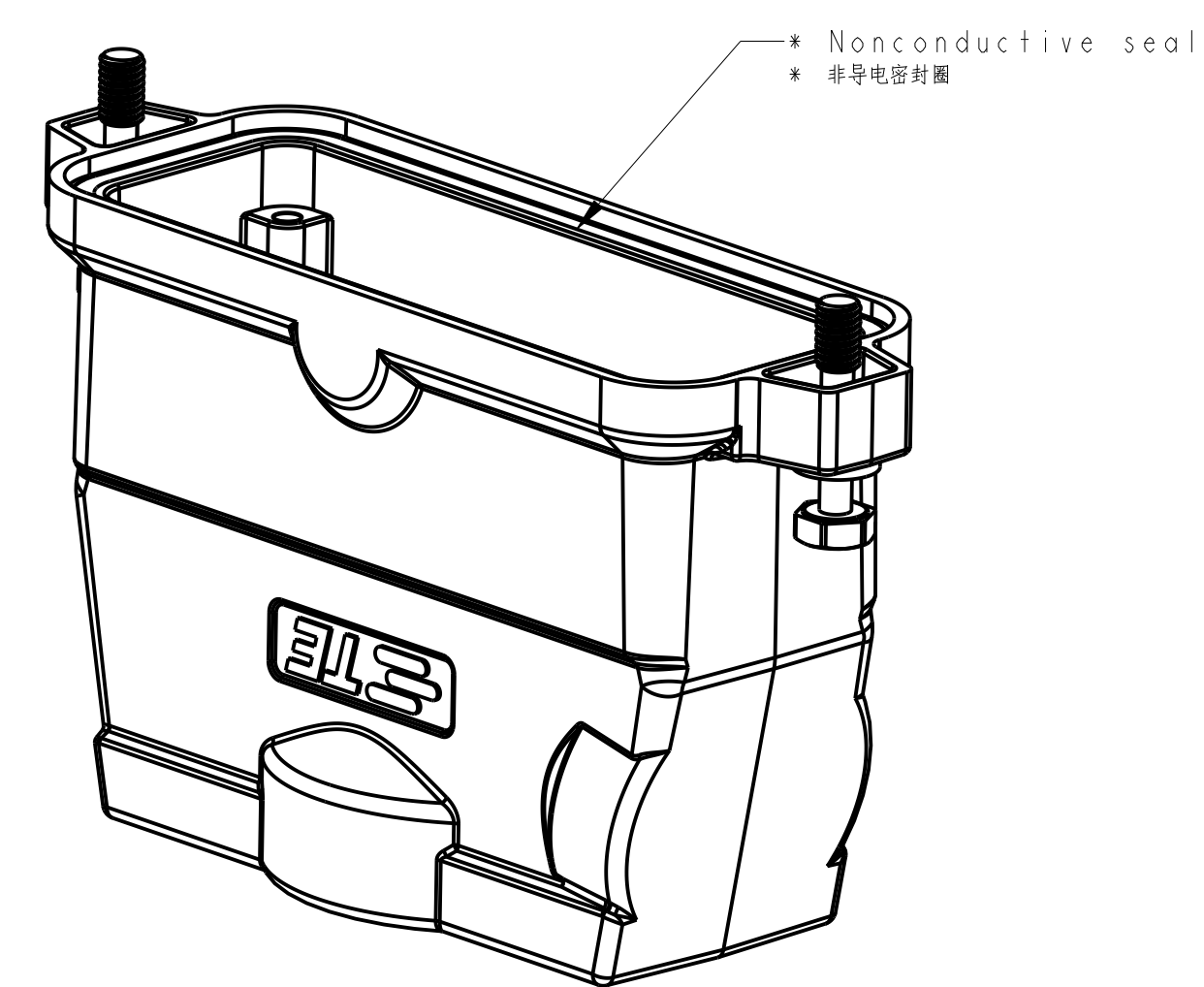
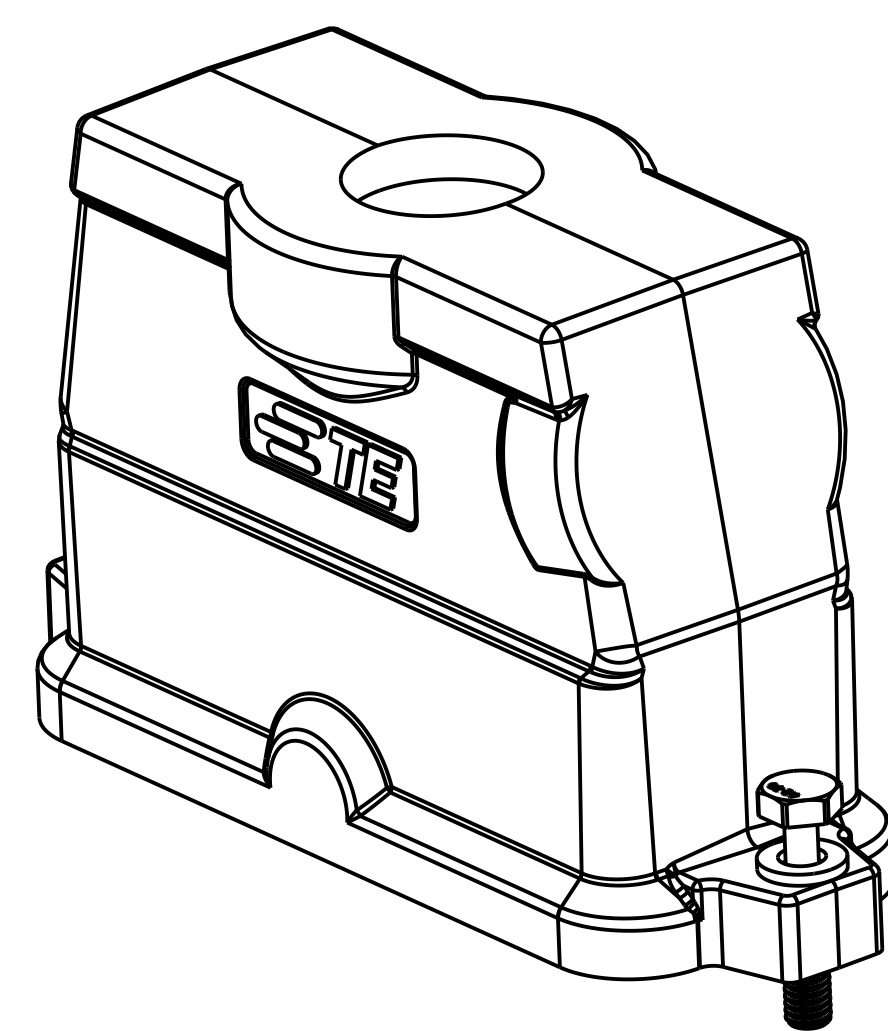
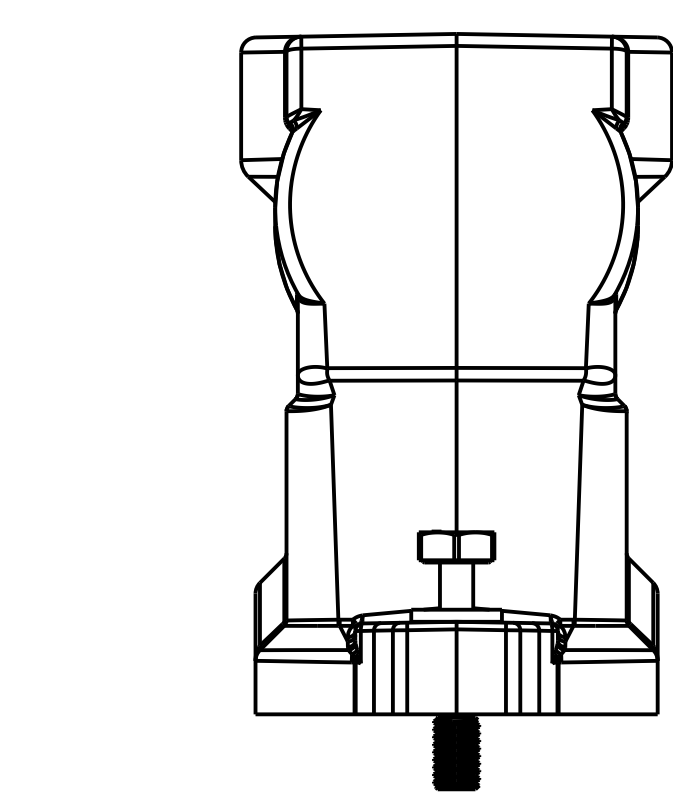
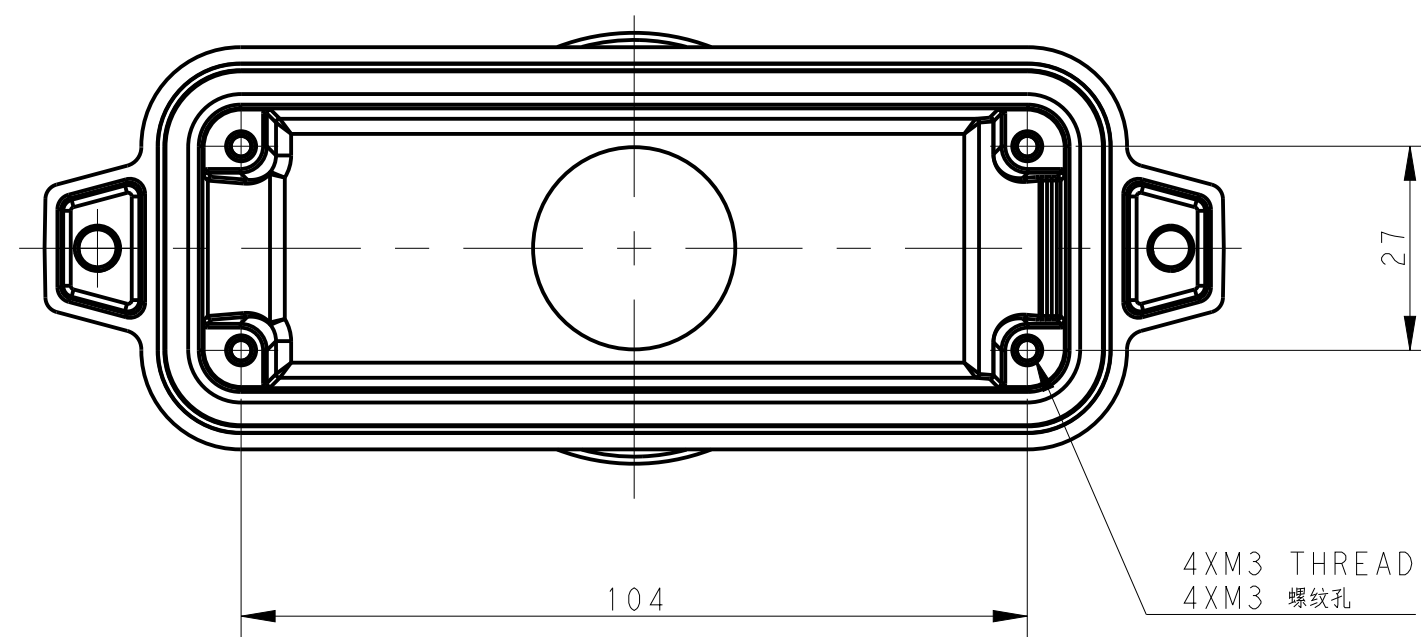
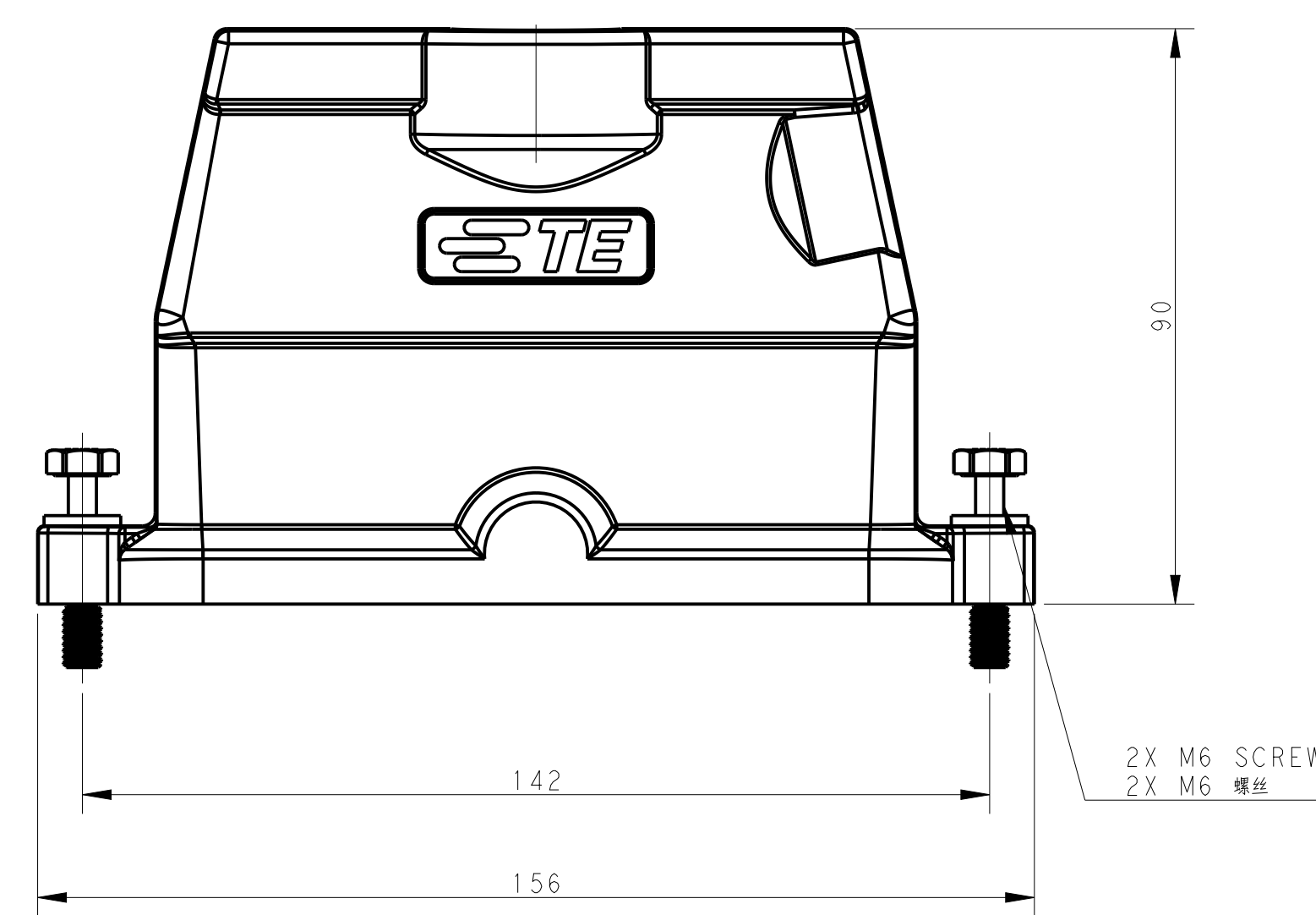
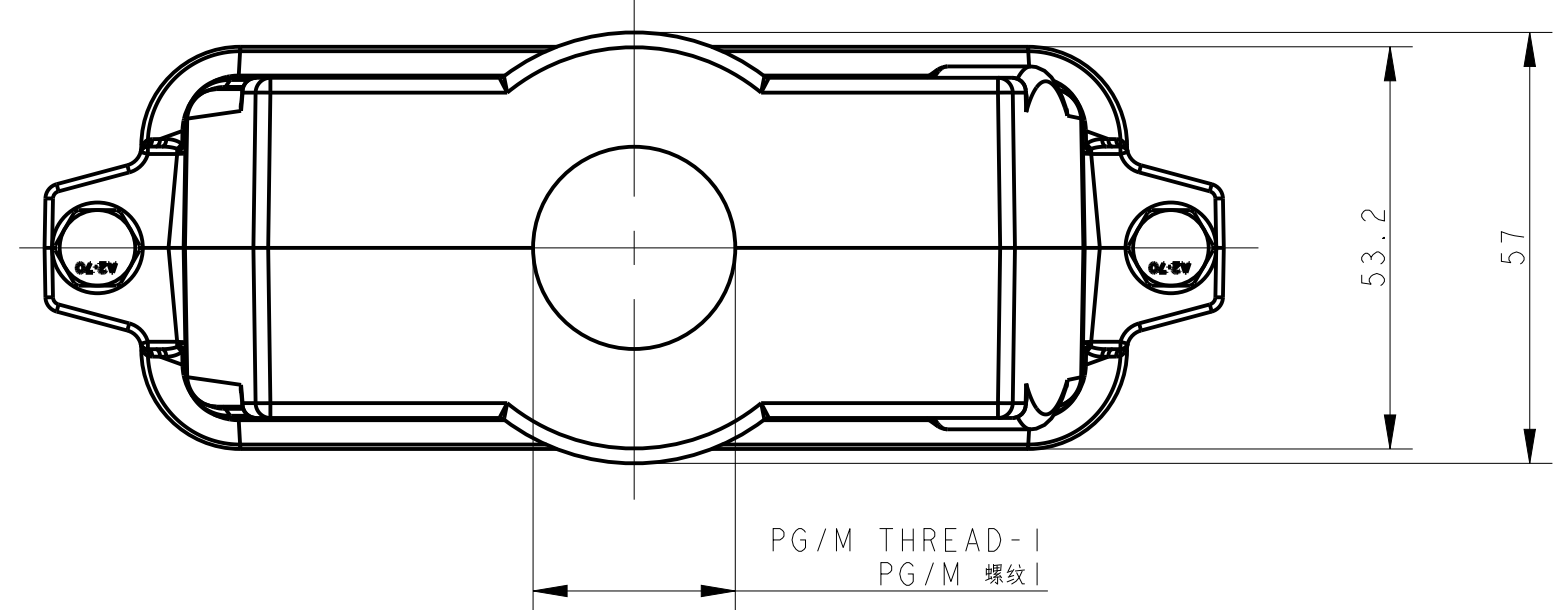


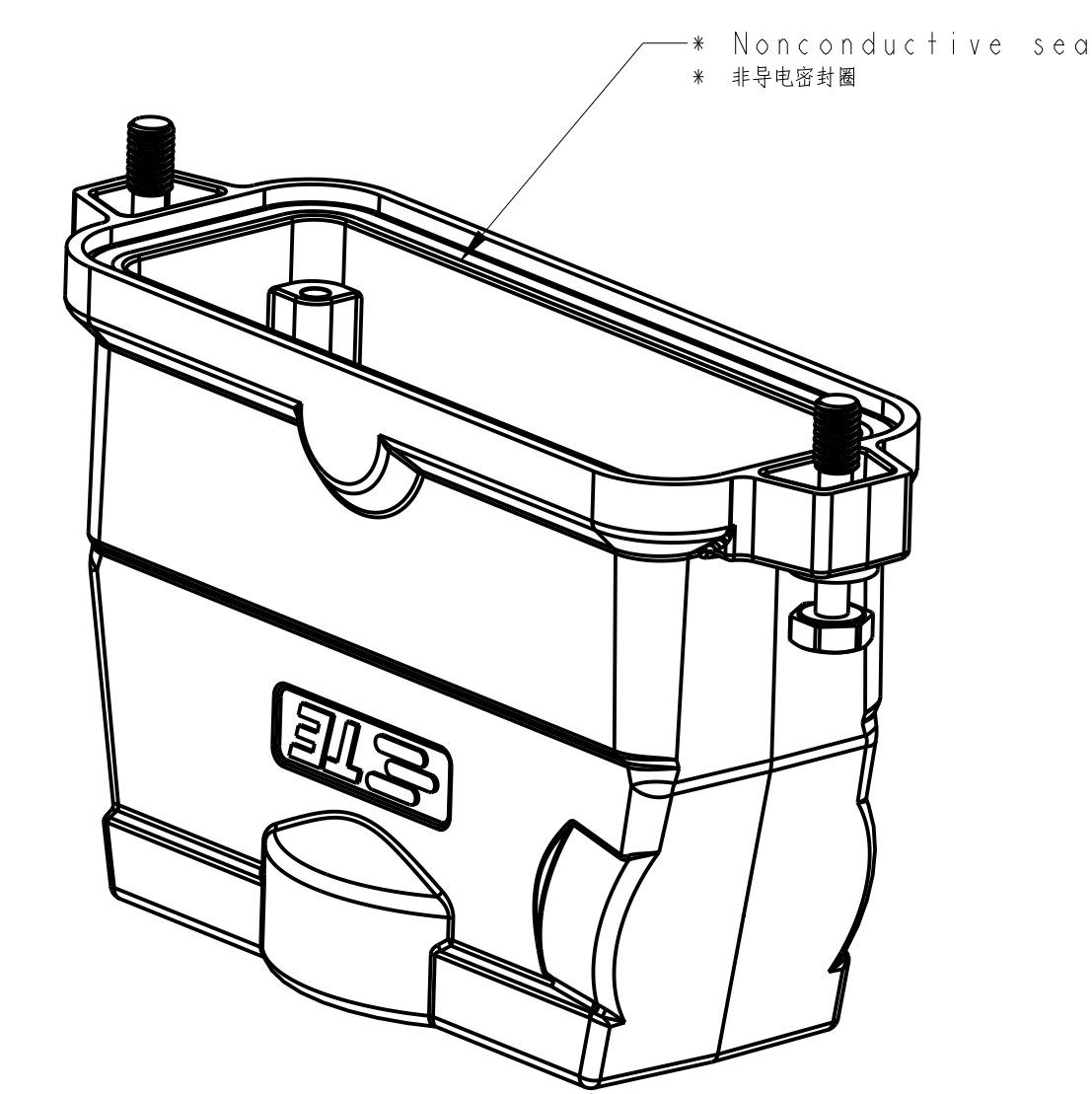
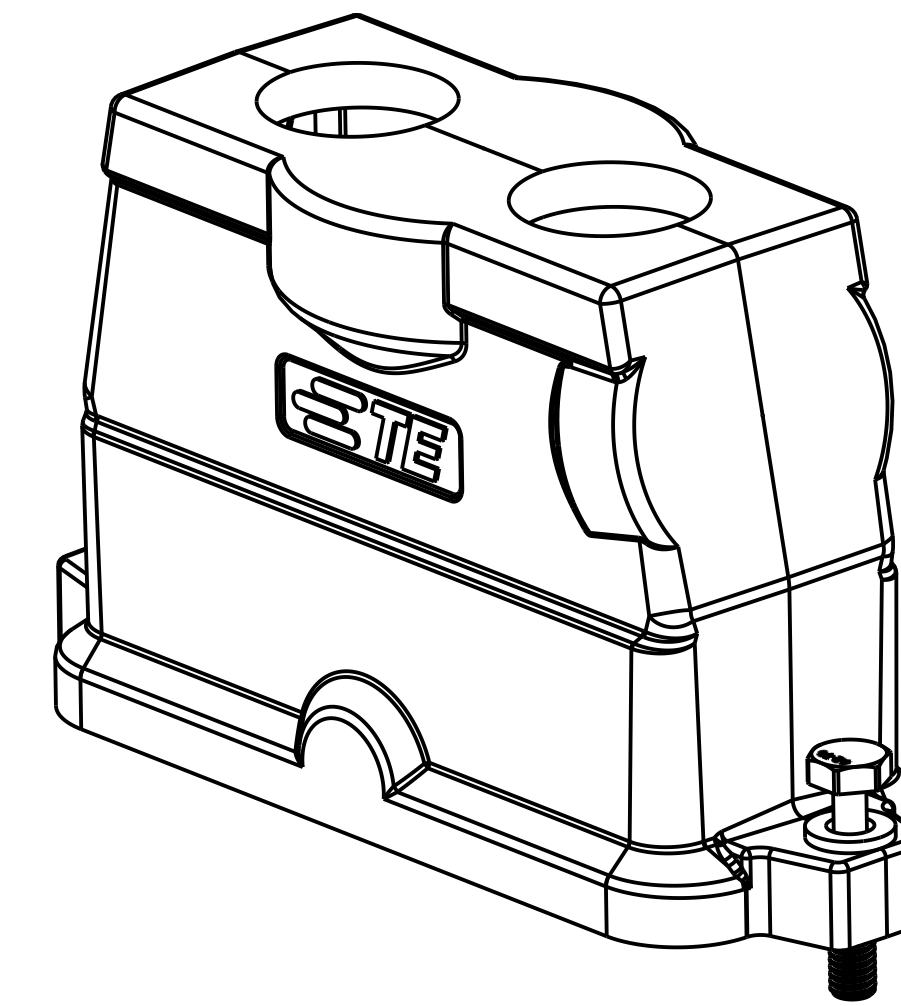
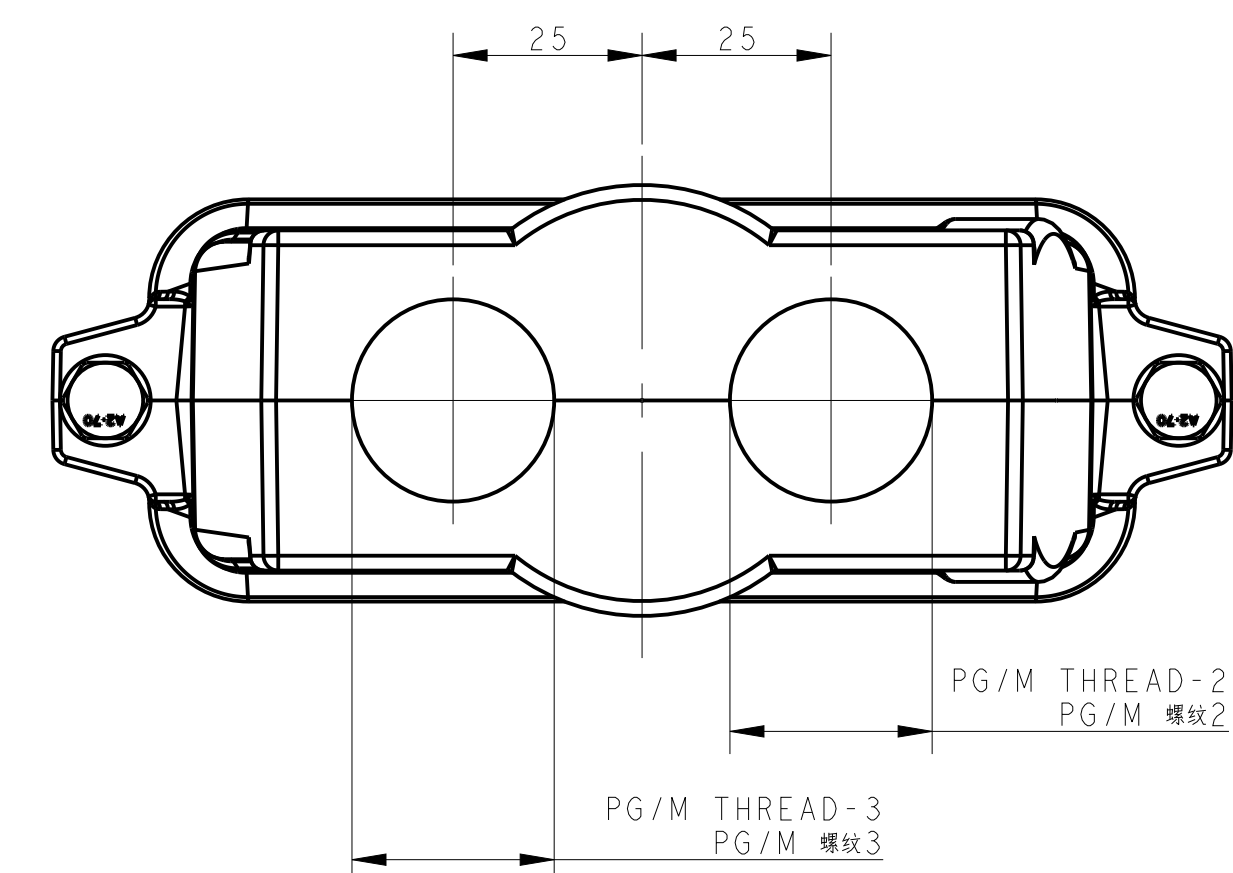
### TYPE 1 类型 1

Single PG/M thread & With nonconductive seal  
 单PG/M螺纹孔人型非导电密封圈



### TYPE 2 类型 2

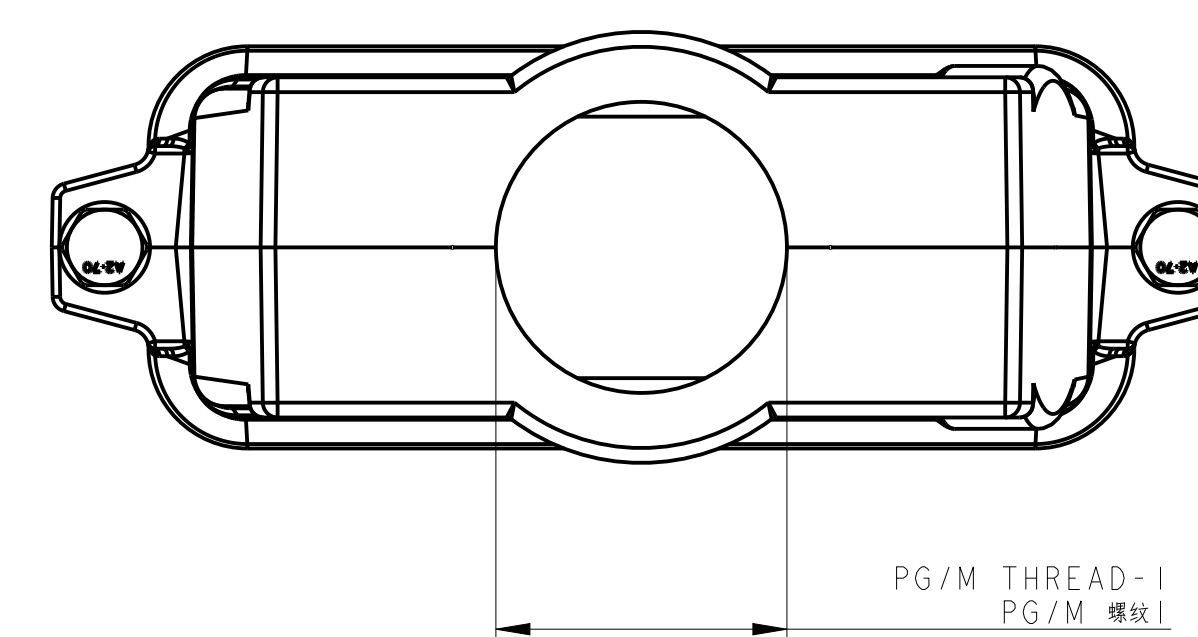
Two PG/M threads & With nonconductive seal  
 两个PG/M螺纹孔人型非导电密封圈



All dimension is same as TYPE 1, except those defined in this TYPE  
 除了在本类型中定义的尺寸外, 其他尺寸同类型 1

### TYPE 4 类型 4

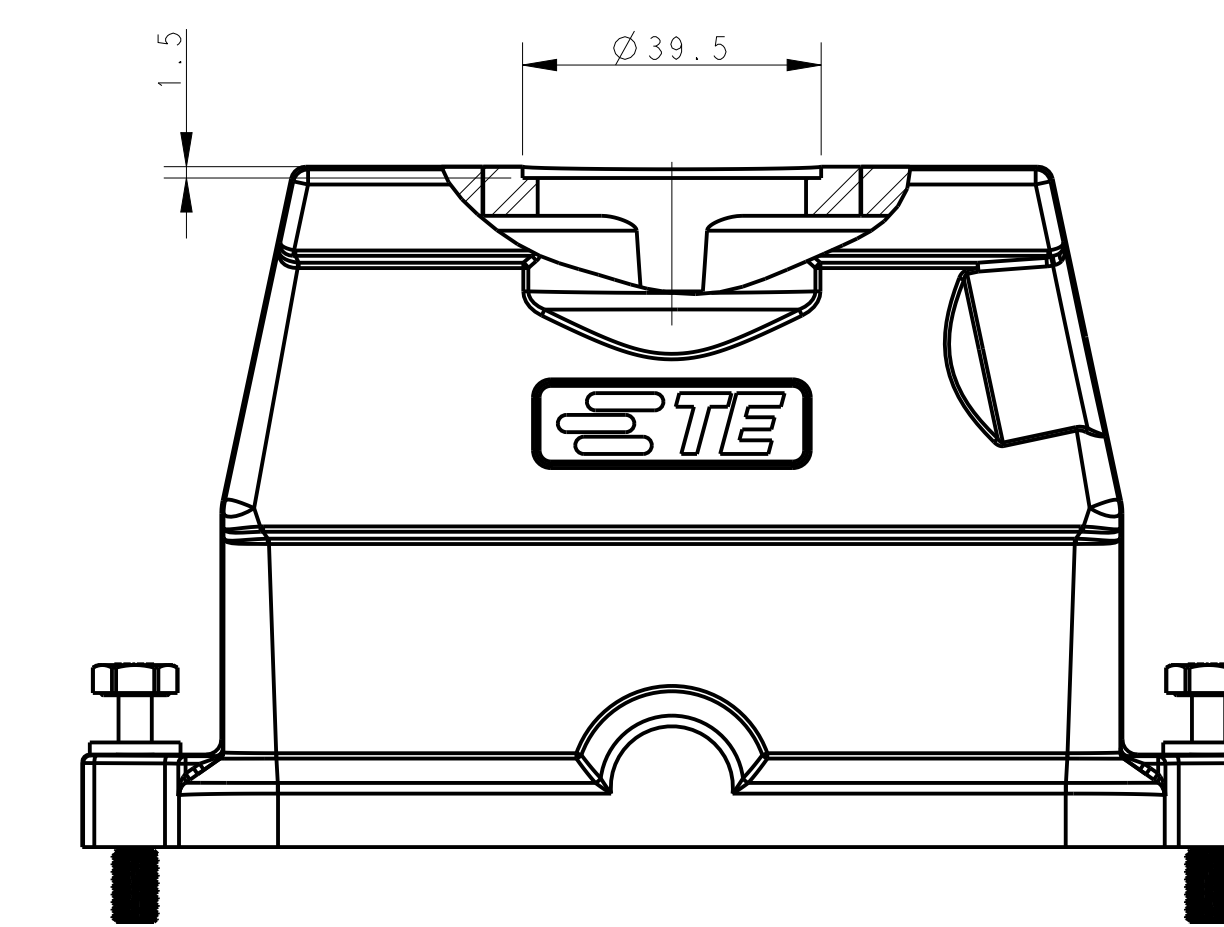
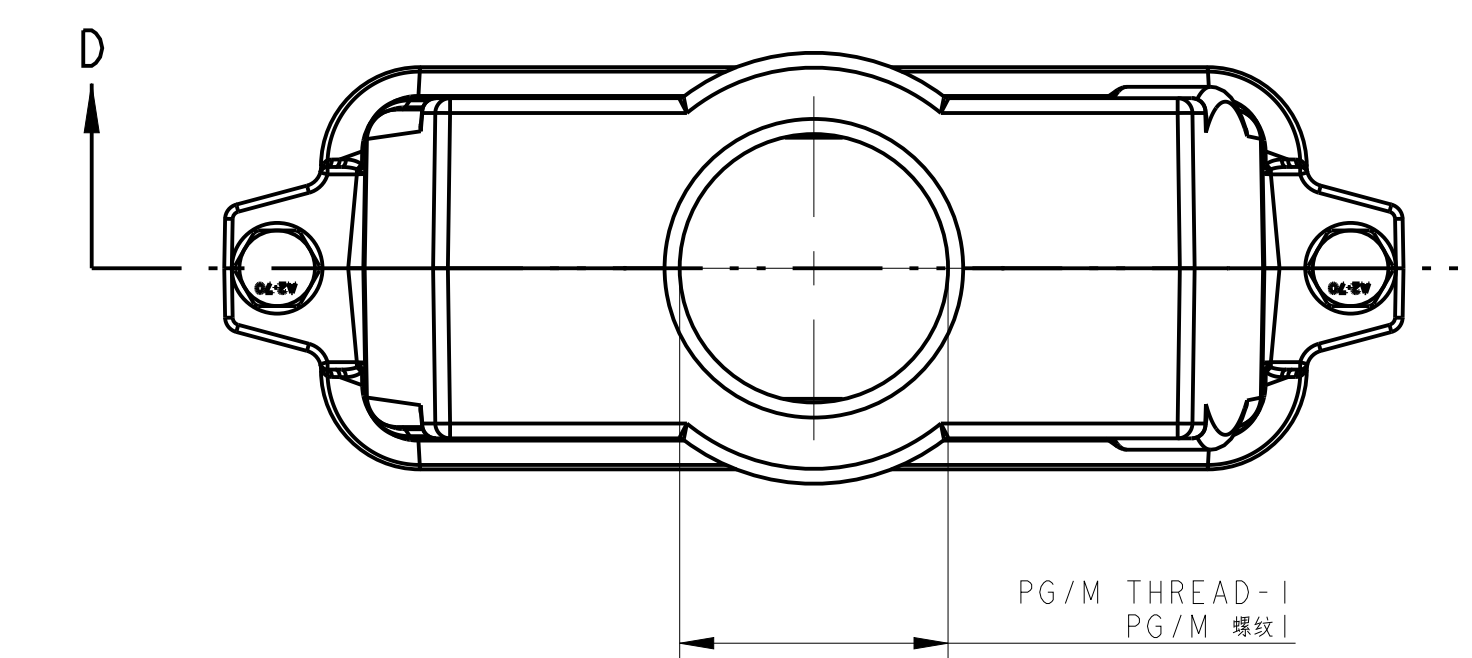
Single PG/M thread & With nonconductive seal, No logo  
 单PG/M螺纹孔人型非导电密封圈, 无Logo



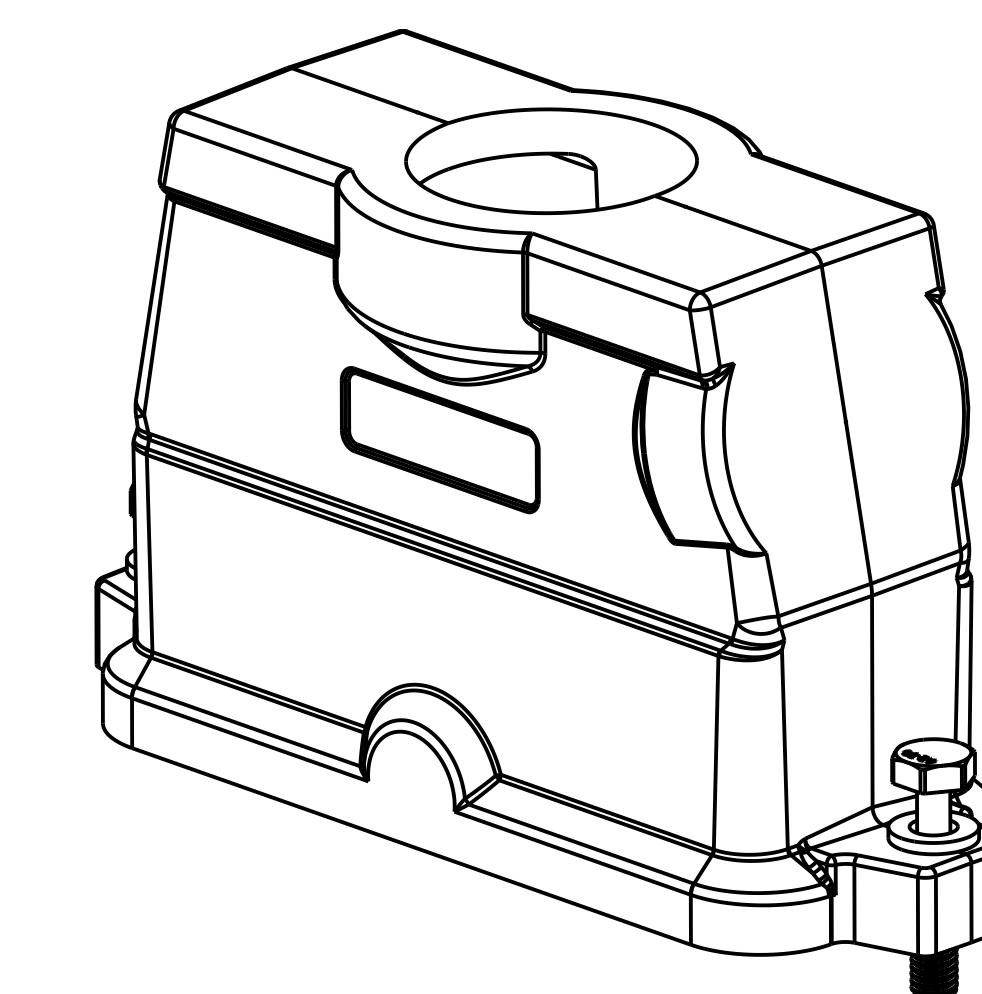
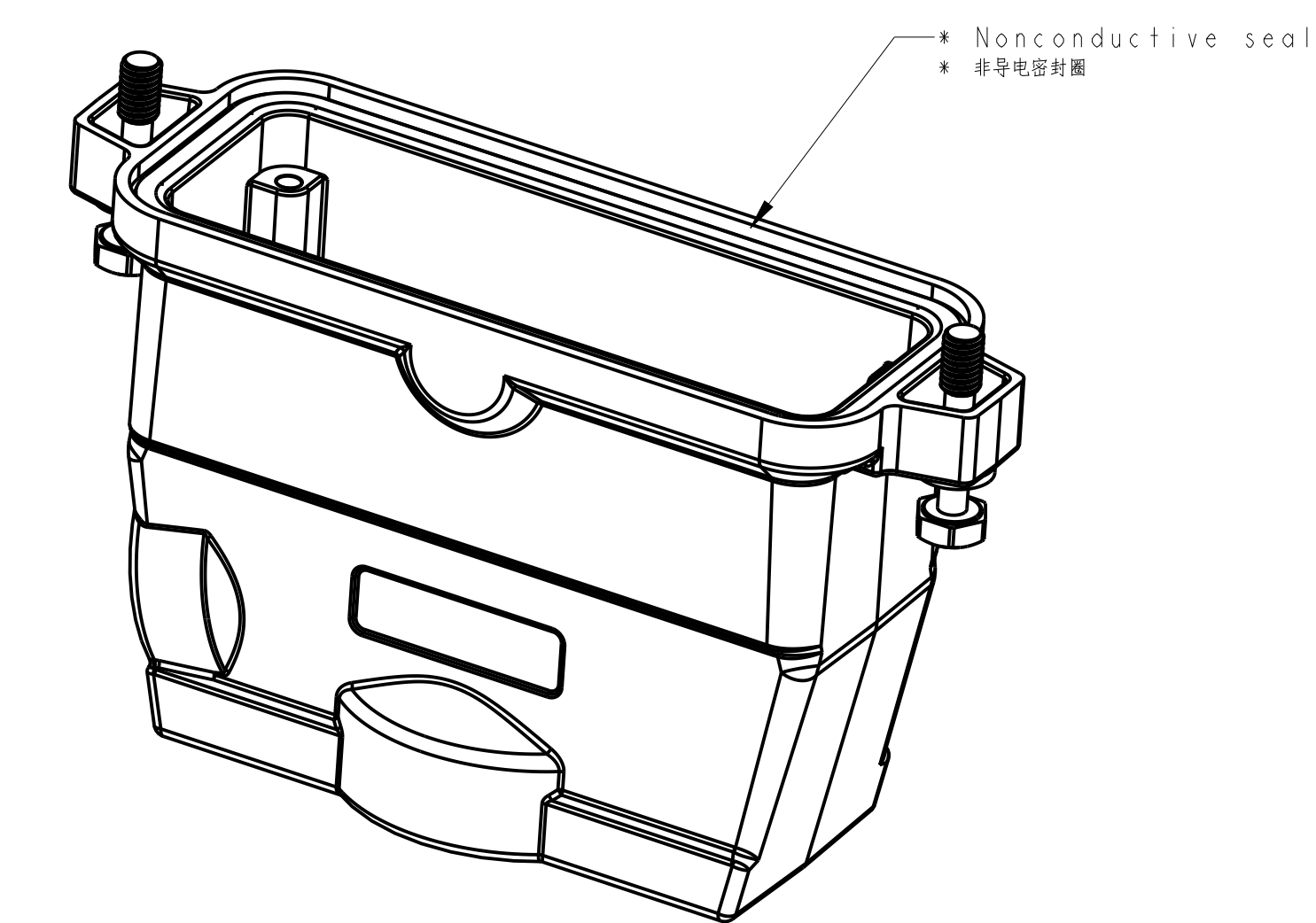
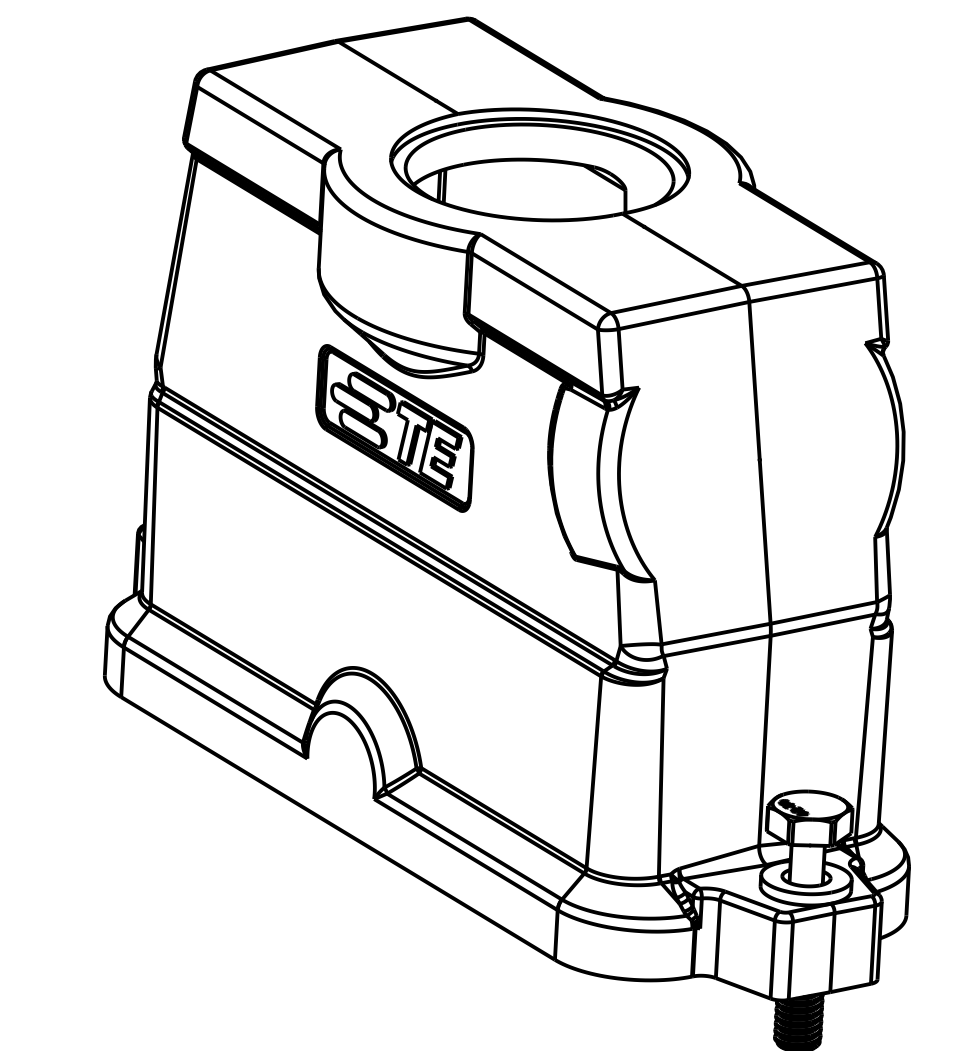
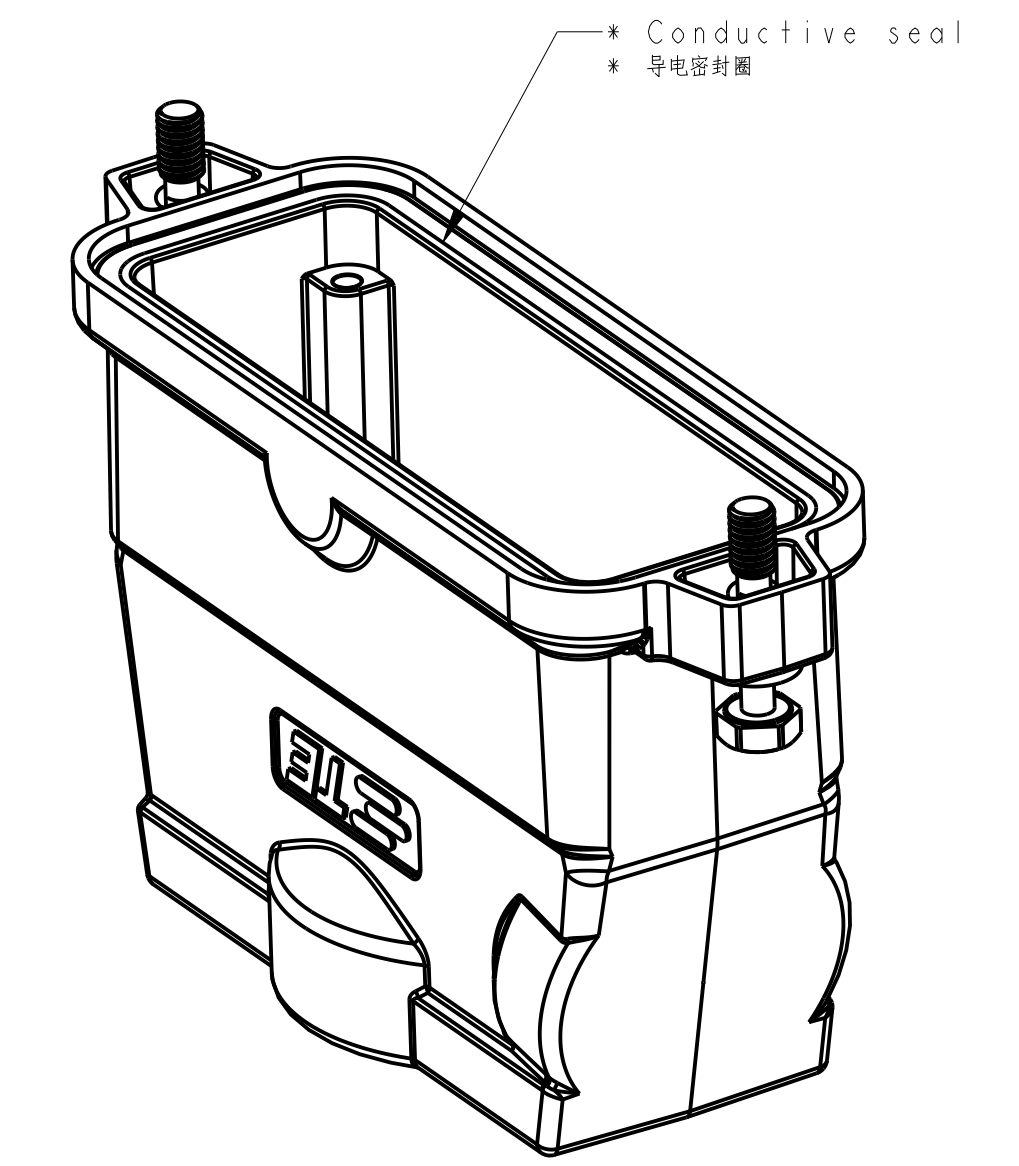
All dimension is same as TYPE 1, except those defined in this TYPE  
 除了在本类型中定义的尺寸外, 其他尺寸同类型 1

### TYPE 3 类型 3

Single PG/M thread & With conductive seal  
 单PG/M螺纹孔人型导电密封圈



All dimension is same as TYPE 1, except those defined in this TYPE  
 除了在本类型中定义的尺寸外, 其他尺寸同类型 1



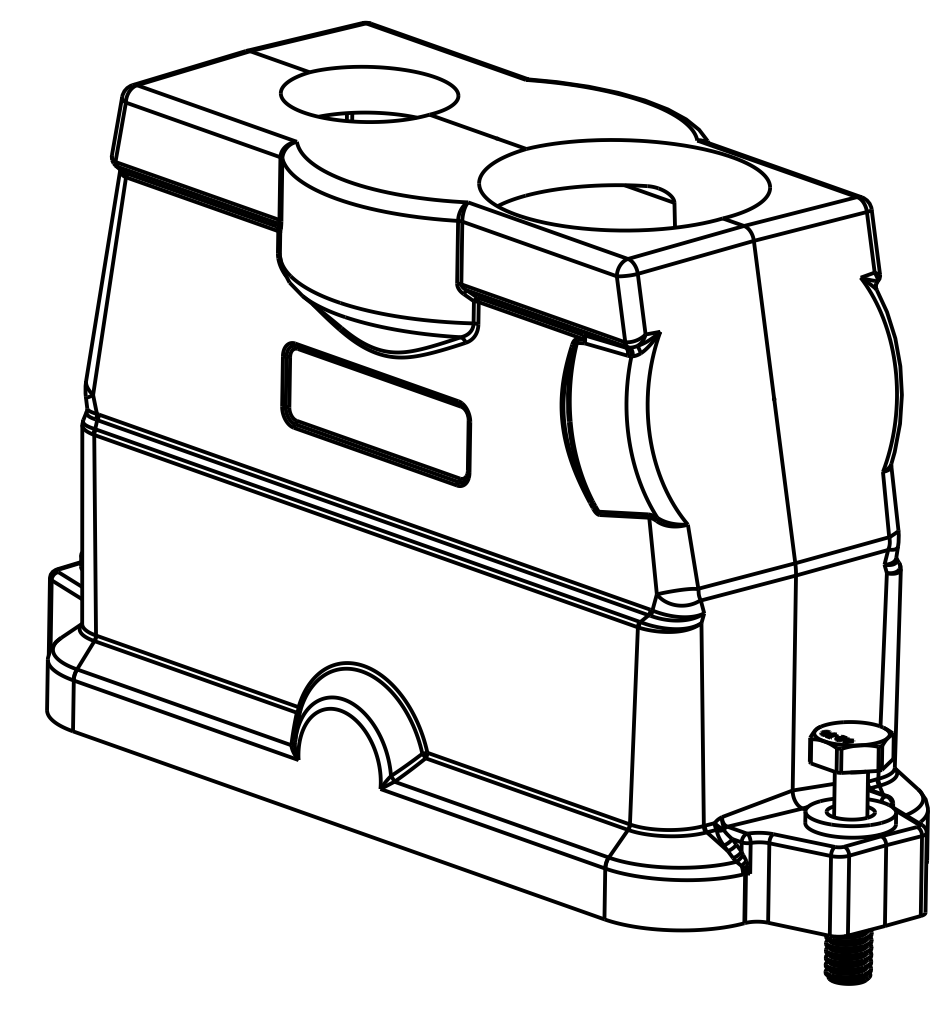
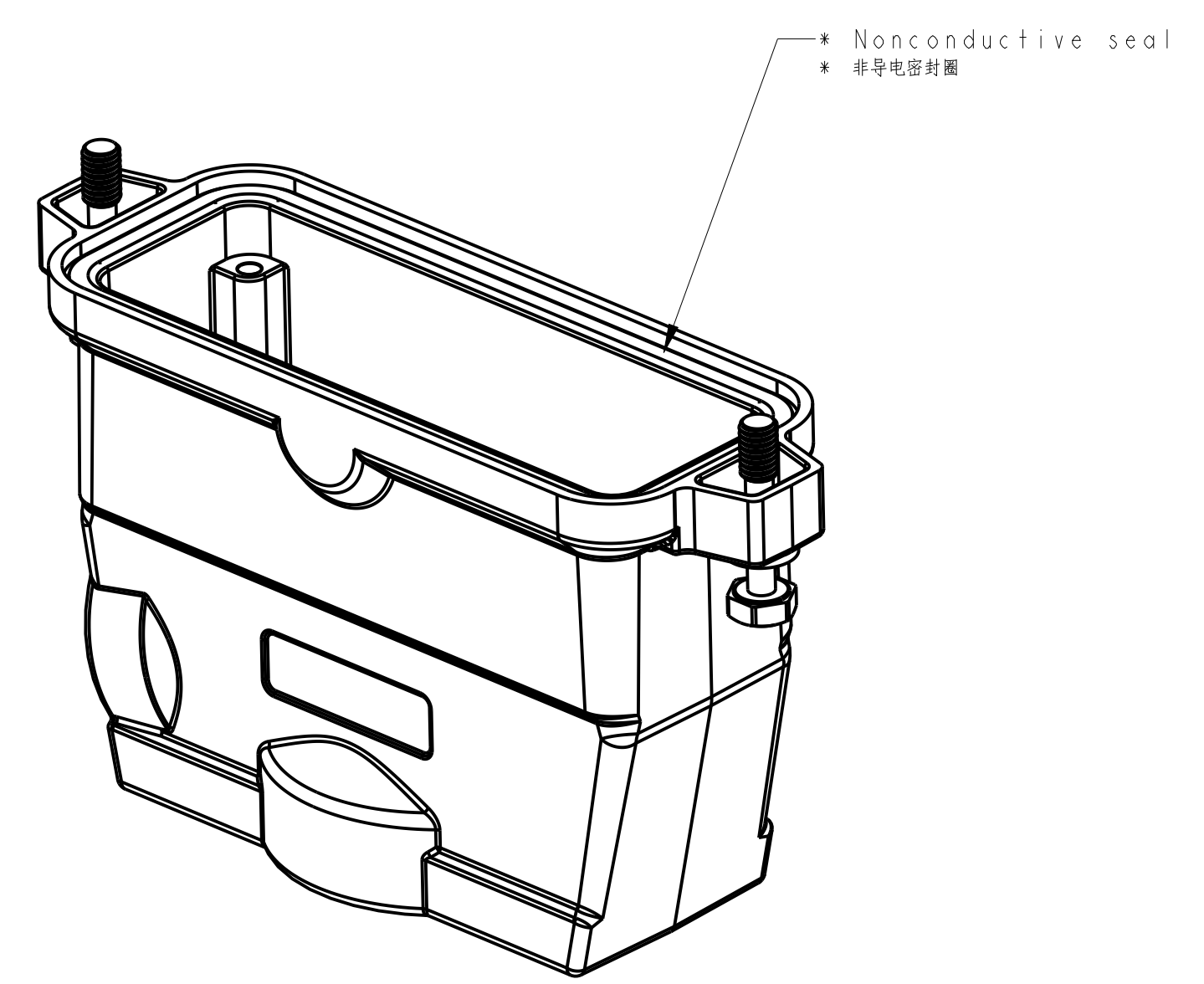
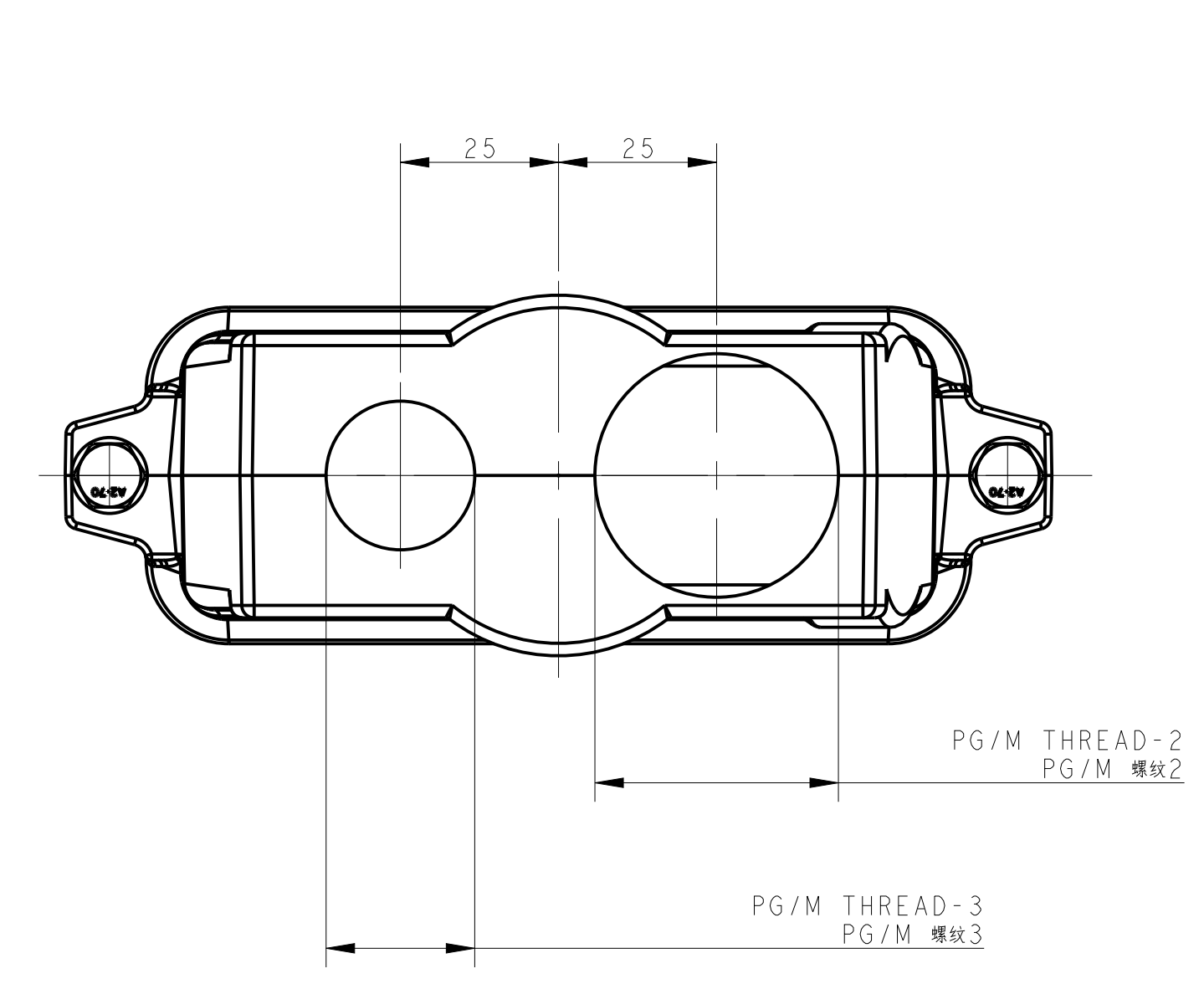
REVISIONS				
REV	DATE	DESCRIPTION	BY	APPD
B3	16JUN2015	ECR-18-009564	CD	CW
B4	16JUN2015	ECR-18-017123	KW	CW
B5	16JUN2015	ECR-19-006656	CD	CW
B6	16JUN2015	ECR-19-007133	BS	CW

THIS DRAWING IS A CONTROLLED DOCUMENT.		DATE: 16 JUN 2015	REV: 0	BY: PLC	APPD: Y. Liang, Y.	PRODUCT SPEC: H24BPR-TGHC-PG/M
DIMENSIONS:		DATE: 16 JUN 2015	REV: 1	BY: PLC	APPD: Y. Liang, Y.	PRODUCT SPEC: H24BPR-TGHC-PG/M
MATERIAL:		DATE: 16 JUN 2015	REV: 2	BY: PLC	APPD: Y. Liang, Y.	PRODUCT SPEC: H24BPR-TGHC-PG/M
FINISH:		DATE: 16 JUN 2015	REV: 3	BY: PLC	APPD: Y. Liang, Y.	PRODUCT SPEC: H24BPR-TGHC-PG/M
CUSTOMER DRAWING		DATE: 16 JUN 2015	REV: 4	BY: PLC	APPD: Y. Liang, Y.	PRODUCT SPEC: H24BPR-TGHC-PG/M

REVISIONS			
REV	DATE	BY	APPD
1	16 JUN 2015	CHC	YANG
2	16 JUN 2015	CHC	YANG
3	16 JUN 2015	CHC	YANG
4	16 JUN 2015	CHC	YANG
5	16 JUN 2015	CHC	YANG
6	16 JUN 2015	CHC	YANG

### TYPE 5 类型5

Two PG/M threads & With nonconductive seal, No Logo  
 两个PG/M螺柱孔及带有非导电密封胶, 无Logo



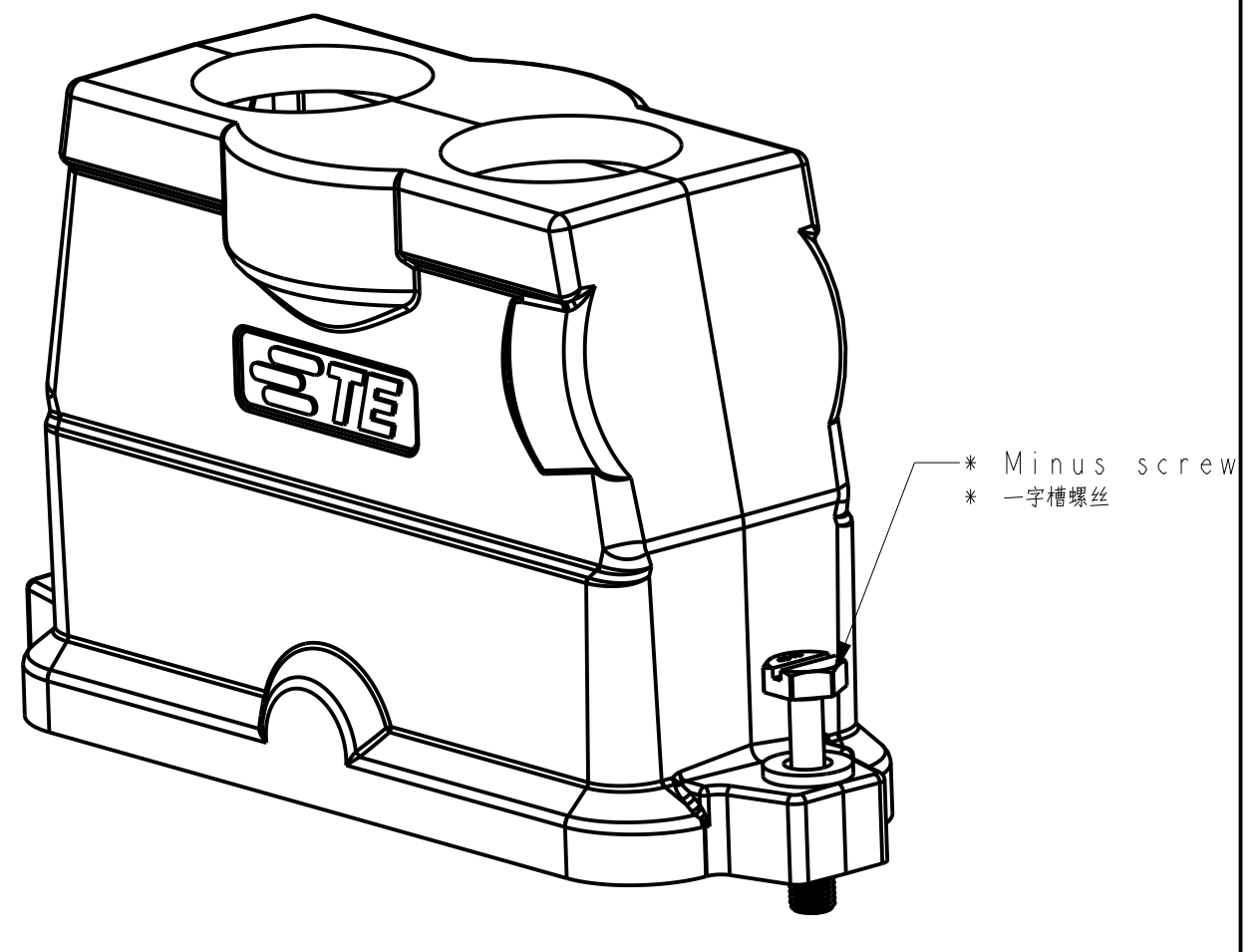
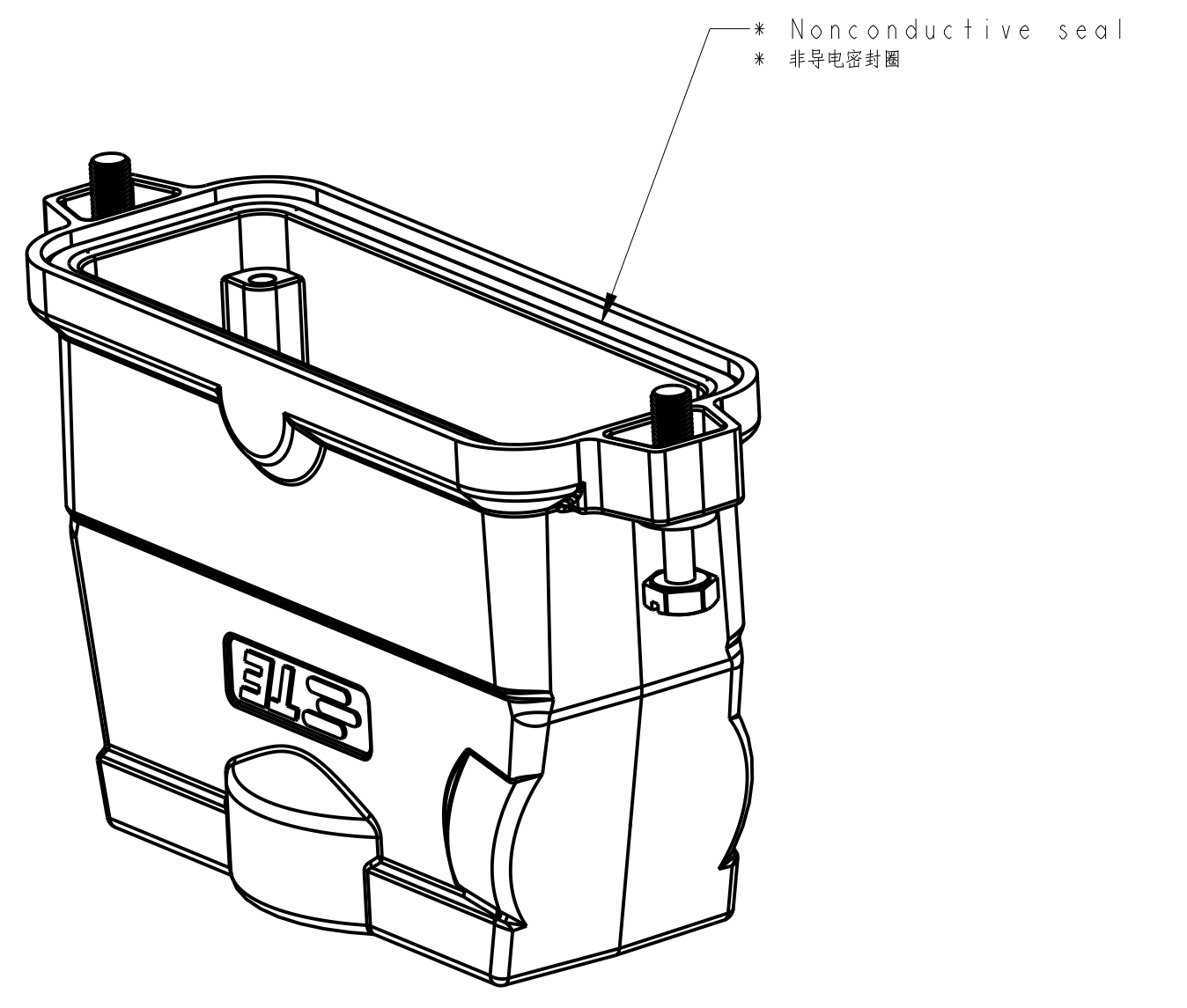
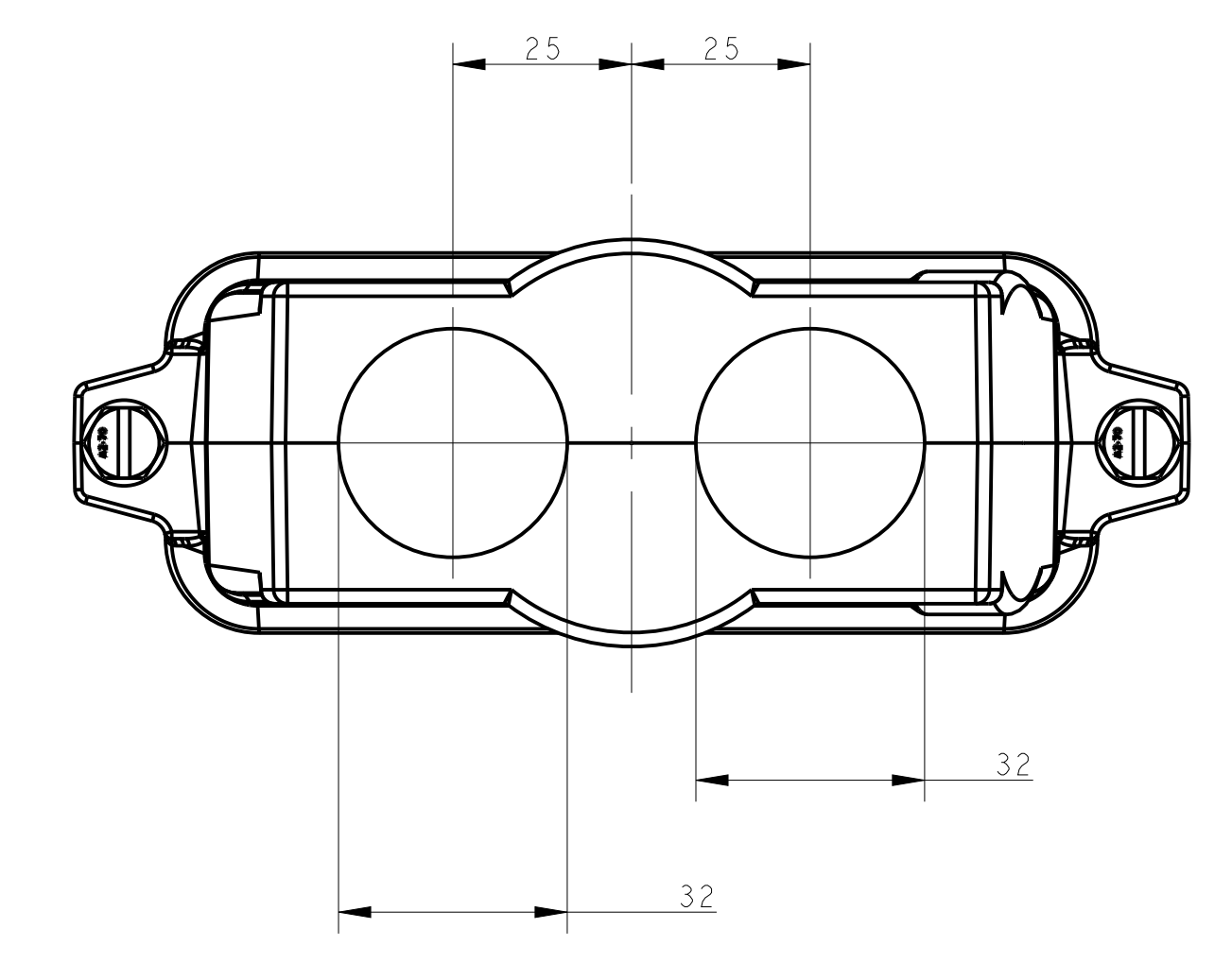
NOTES:  
 1. TECHNICAL CHARACTERISTICS:  
 HOOD MATERIAL: DIE CAST ALUMINIUM ALLOY  
 SURFACE TREATMENT: SEE TABLE  
 DEGREE OF PROTECTION: IP68 (MATED)

注:  
 1. 技术参数:  
 壳体材料: 铝合金  
 表面处理: 见表格  
 防护等级: IP68 (配合)

All dimension is same as TYPE 1, except those defined in this TYPE  
 除了在本类型中定义的尺寸外, 其他尺寸同类型1

### TYPE 6 类型6

Two PG/M threads & With nonconductive seal & Minus screw  
 两个PG/M螺柱孔及带有非导电密封胶及一字槽螺柱



All dimension is same as TYPE 1, except those defined in this TYPE  
 除了在本类型中定义的尺寸外, 其他尺寸同类型1

TYPE 6	TYPE 4	TYPE 5	TYPE 3	TYPE 2	TYPE 1
T1922242232-000 POWDER COATED, GREY 表面喷涂, 灰色	H24BPR-TGHC-2M32	H24BPR HOOD, CENTER LOCKING, MINUS SCREW, TOP ENTRY 2M32, POWDER COATED, GREY H24BPR上盖, 中翻锁, 一字槽螺柱, 顶出2M32, 灰色粉末喷涂	M32	M32	-
T1922242125-001 POWDER COATED, DEEP GREY 表面喷涂, 深灰色	H24BPR-TGHC-M25	H24BPR HOOD, CENTER LOCKING, TOP ENTRY M25, POWDER COATED, DEEP GREY, NO LOGO H24BPR上盖, 中翻锁, 顶出M25, 深灰色粉末喷涂, 无LOGO	-	-	M25
T1922242132-001 POWDER COATED, DEEP GREY 表面喷涂, 深灰色	H24BPR-TGHC-M32	H24BPR HOOD, CENTER LOCKING, TOP ENTRY M32, POWDER COATED, DEEP GREY, NO LOGO H24BPR上盖, 中翻锁, 顶出M32, 深灰色粉末喷涂, 无LOGO	-	-	M32
T1922242150-001 POWDER COATED, DEEP GREY 表面喷涂, 深灰色	H24BPR-TGHC-M50	H24BPR HOOD, CENTER LOCKING, TOP ENTRY M50, POWDER COATED, DEEP GREY, NO LOGO H24BPR上盖, 中翻锁, 顶出M50, 深灰色粉末喷涂, 无LOGO	-	-	M50
T1922242140-001 POWDER COATED, DEEP GREY 表面喷涂, 深灰色	H24BPR-TGHC-M40	H24BPR HOOD, CENTER LOCKING, TOP ENTRY M40, POWDER COATED, DEEP GREY, NO LOGO H24BPR上盖, 中翻锁, 顶出M40, 深灰色粉末喷涂, 无LOGO	-	-	M40
T1922244025-001 POWDER COATED, DEEP GREY 表面喷涂, 深灰色	H24BPR-TGHC-M40/M25	H24BPR HOOD, CENTER LOCKING, TOP ENTRY M40/M25, POWDER COATED, DEEP GREY, NO LOGO H24BPR上盖, 中翻锁, 顶出M40/M25, 深灰色粉末喷涂, 无LOGO	M25	M40	-
T1922241129-001 POWDER COATED, SILVER WHITE 表面喷涂, 银白色	H24BPR-TGHC-PG29	H24BPR HOOD, CENTER LOCKING, TOP ENTRY PG29, POWDER COATED, SILVER WHITE, CONDUCTIVE, THREAD HOLE WITH STEP H24BPR上盖, 中翻锁, 顶出PG29, 银白色粉末喷涂, 导电孔, 螺纹孔带台阶	-	-	PG29
T1922240129-001 POWDER COATED, BLACK 表面喷涂, 黑色	H24BPR-TGHC-PG29	H24BPR HOOD, CENTER LOCKING, TOP ENTRY PG29, POWDER COATED, BLACK, CONDUCTIVE, THREAD HOLE WITH STEP H24BPR上盖, 中翻锁, 顶出PG29, 黑色粉末喷涂, 导电孔, 螺纹孔带台阶	-	-	PG29
T19222411221-000 POWDER COATED, SILVER WHITE 表面喷涂, 银白色	H24BPR-TGHC-2PG21	H24BPR HOOD, CENTER LOCKING, TOP ENTRY 2PG21, POWDER COATED, SILVER WHITE H24BPR上盖, 中翻锁, 顶出2PG21, 银白色粉末喷涂	PG21	PG21	-
T1922241232-000 POWDER COATED, SILVER WHITE 表面喷涂, 银白色	H24BPR-TGHC-M32/M25	H24BPR HOOD, CENTER LOCKING, TOP ENTRY M32/M25, POWDER COATED, SILVER WHITE H24BPR上盖, 中翻锁, 顶出M32/M25, 银白色粉末喷涂	M25	M32	-
T1922244025-000 POWDER COATED, SILVER WHITE 表面喷涂, 银白色	H24BPR-TGHC-M40/M25	H24BPR HOOD, CENTER LOCKING, TOP ENTRY M40/M25, POWDER COATED, SILVER WHITE H24BPR上盖, 中翻锁, 顶出M40/M25, 银白色粉末喷涂	M25	M40	-
T1922241140-000 POWDER COATED, SILVER WHITE 表面喷涂, 银白色	H24BPR-TGHC-M40	H24BPR HOOD, CENTER LOCKING, TOP ENTRY M40, POWDER COATED, SILVER WHITE H24BPR上盖, 中翻锁, 顶出M40, 银白色粉末喷涂	-	-	M40
T1922241136-000 POWDER COATED, SILVER WHITE 表面喷涂, 银白色	H24BPR-TGHC-PG36	H24BPR HOOD, CENTER LOCKING, TOP ENTRY PG36, POWDER COATED, SILVER WHITE H24BPR上盖, 中翻锁, 顶出PG36, 银白色粉末喷涂	-	-	PG36
T1922241132-000 POWDER COATED, SILVER WHITE 表面喷涂, 银白色	H24BPR-TGHC-M32	H24BPR HOOD, CENTER LOCKING, TOP ENTRY M32, POWDER COATED, SILVER WHITE H24BPR上盖, 中翻锁, 顶出M32, 银白色粉末喷涂	-	-	M32
T1922241129-000 POWDER COATED, SILVER WHITE 表面喷涂, 银白色	H24BPR-TGHC-PG29	H24BPR HOOD, CENTER LOCKING, TOP ENTRY PG29, POWDER COATED, SILVER WHITE H24BPR上盖, 中翻锁, 顶出PG29, 银白色粉末喷涂	-	-	PG29
T1922241125-000 POWDER COATED, SILVER WHITE 表面喷涂, 银白色	H24BPR-TGHC-M25	H24BPR HOOD, CENTER LOCKING, TOP ENTRY M25, POWDER COATED, SILVER WHITE H24BPR上盖, 中翻锁, 顶出M25, 银白色粉末喷涂	-	-	M25
T1922241121-000 POWDER COATED, SILVER WHITE 表面喷涂, 银白色	H24BPR-TGHC-PG21	H24BPR HOOD, CENTER LOCKING, TOP ENTRY PG21, POWDER COATED, SILVER WHITE H24BPR上盖, 中翻锁, 顶出PG21, 银白色粉末喷涂	-	-	PG21
T1922240140-000 POWDER COATED, BLACK 表面喷涂, 黑色	H24BPR-TGHC-M40	H24BPR HOOD, CENTER LOCKING, TOP ENTRY M40, POWDER COATED, BLACK H24BPR上盖, 中翻锁, 顶出M40, 黑色粉末喷涂	-	-	M40
T1922240136-000 POWDER COATED, BLACK 表面喷涂, 黑色	H24BPR-TGHC-PG36	H24BPR HOOD, CENTER LOCKING, TOP ENTRY PG36, POWDER COATED, BLACK H24BPR上盖, 中翻锁, 顶出PG36, 黑色粉末喷涂	-	-	PG36
T1922240132-000 POWDER COATED, BLACK 表面喷涂, 黑色	H24BPR-TGHC-M32	H24BPR HOOD, CENTER LOCKING, TOP ENTRY M32, POWDER COATED, BLACK H24BPR上盖, 中翻锁, 顶出M32, 黑色粉末喷涂	-	-	M32
T1922240129-000 POWDER COATED, BLACK 表面喷涂, 黑色	H24BPR-TGHC-PG29	H24BPR HOOD, CENTER LOCKING, TOP ENTRY PG29, POWDER COATED, BLACK H24BPR上盖, 中翻锁, 顶出PG29, 黑色粉末喷涂	-	-	PG29
T1922240125-000 POWDER COATED, BLACK 表面喷涂, 黑色	H24BPR-TGHC-M25	H24BPR HOOD, CENTER LOCKING, TOP ENTRY M25, POWDER COATED, BLACK H24BPR上盖, 中翻锁, 顶出M25, 黑色粉末喷涂	-	-	M25
T1922240121-000 POWDER COATED, BLACK 表面喷涂, 黑色	H24BPR-TGHC-PG21	H24BPR HOOD, CENTER LOCKING, TOP ENTRY PG21, POWDER COATED, BLACK H24BPR上盖, 中翻锁, 顶出PG21, 黑色粉末喷涂	-	-	PG21

THIS DRAWING IS A CONTROLLED DOCUMENT. 此图是受控文件。

DATE: 16 JUN 2015  
 CHK: CHC  
 APPD: YANG

PRODUCT SPEC: 108-137014  
 APPLICATION SPEC: 114-137014

SCALE: 1:1  
 SHEET: 2 of 2  
 REV: B6

STE TE Connectivity  
 H24BPR-TGHC-PG/M