

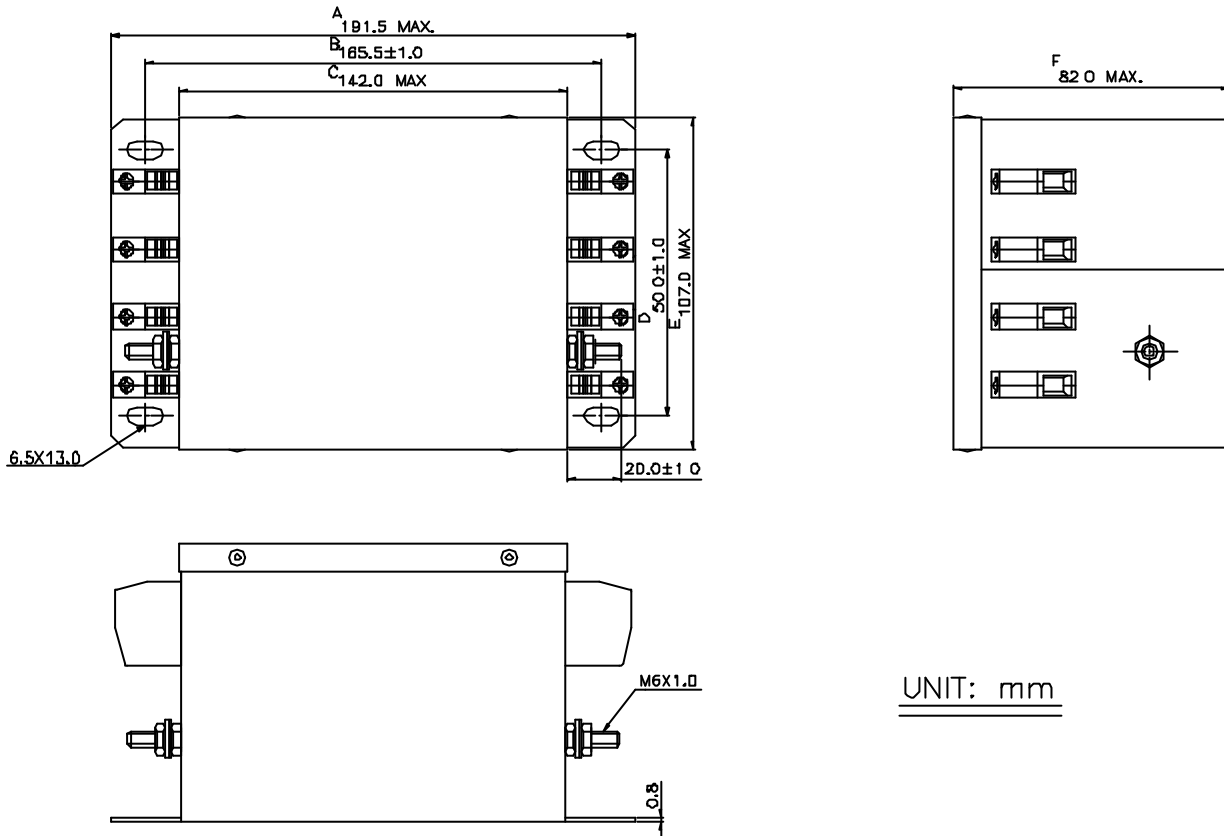
SPECIFICATION FOR APPROVAL



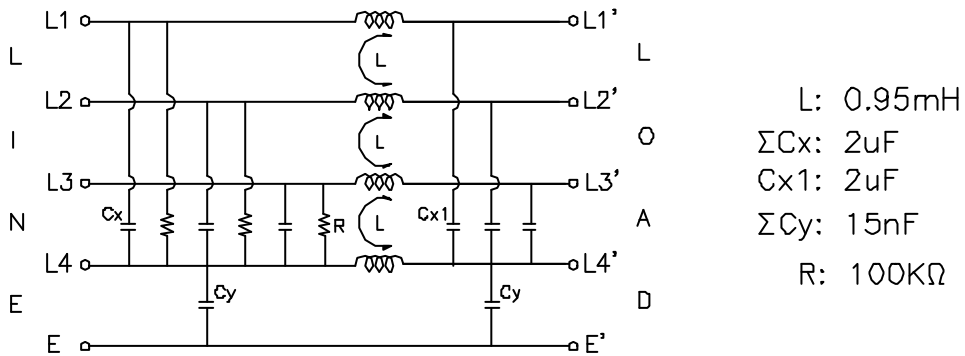
TO: _____

PART NO.		REV.		DELTA SAMPLE ISSUE NO	
PART NAME	EMI FILTER			DELTA MODEL	36TYT2
ORDER P/N.	36TYT2			SAMPLE ISSUE DATE	

1. PHYSICAL DIMENSIONS:



2. ELECTRICAL SCHEMATIC



REPORT BY	CHECKED BY	APPROVED BY	3	
			2	
			REV.1	99.03.10

DELTA ELECTRONICS, INC.

9TH FL ASIA ENTERPRISE CENTER 144, SEC. 3 MIN.CHUAN E. ROAD
TAIPEI 10484, TAIWAN. R.O.C.

TELEX 26524 "DELTATRO"
CABLE ADDRESS: "DELTATRO" TAIPEI
TEL: (02) 7164822, 7167790
"DELTATRO" TAIPEI

SPECIFICATION FOR APPROVAL



TO: _____

PART NO.		REV.		DELTA SAMPLE ISSUE NO	
PART NAME	EMI FILTER		DELTA MODEL		36TYT2
ORDER P/N.	36TYT2		SAMPLE ISSUE DATE		

3. ELECTRICAL CHARACTERISTICS:

- 3-1. VOLTAGE RATING 440VAC
- 3-2. CURRENT RATING
 - A. AT 440VAC 36 A RMS Max.
- 3-3. OPERATING FREQUENCY..... 50/60 Hz
- 3-4. LEAKAGE CURRENT: EACH LINE TO GROUND
 - A. @440VAC 50Hz 3.0 mA Max.
- 3-5. HIPOT RATING (FOR ONE MINUTE)
 - A. LINE TO GROUND 2250VDC
 - B. LINE TO LINE 1450VDC
- 3-6. TEMPERATURE RANGE: -25 TO +85 DEGREE C
- 3-7. MINIMUM INSERTION LOSS IN dB: (AT 50 OHM SYSTEM)

FREQ. MHz	.01	.05	.10	.15	.50	1.0	5.0	10	30
COM. MODE dB	/	/	/	25	50	50	50	40	25
DIF. MODE dB	/	/	/	30	50	55	50	40	30

REV.		
	1. 99.03.10	

DELTA ELECTRONICS, INC.

9TH FL ASIA ENTERPRISE CENTER 144, SEC. 3 MIN.CHUAN E. ROAD
TAIPEI 10464, TAIWAN. R.O.C.

TELEX 26524 "DELTATRO"
CABLE ADDRESS: "DELTATRO" TAIPEI
TEL: (02) 7164822, 7167790
"DELTATRO" TAIPEI