

6

5

4

3

2

1

E

E

D

D

C

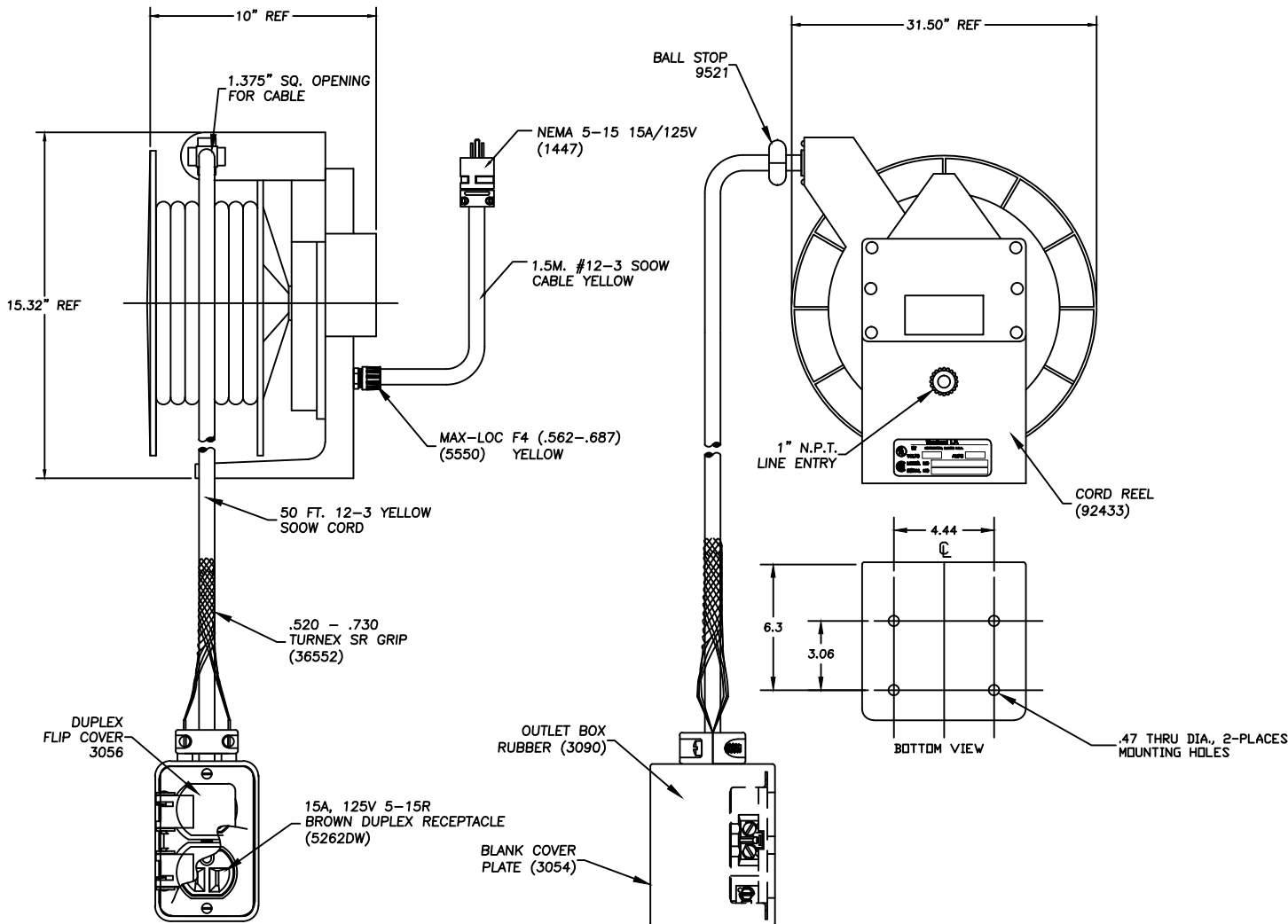
C

B

B

A

A



ESTIMATED WEIGHT: 52 LBS

QUOTE #A201214478-2	MATERIAL #1300830915
CUSTOMER APPROVAL SIGNATURE & DATE	
SIGNATURE	DATE

RELEASE CUSTOMER DRAWING	DESCRIPTION
EC NO: IPC2013-0713	REV
DRWN: HKNEELAN 2012/10/15	A2
CHKD: HKNEELAN	
APPR: DTITUS 2012/11/20	

QUALITY SYMBOLS
▽=0
▽C=0

GENERAL TOLERANCES (UNLESS SPECIFIED)	
	mm
	INCH
4 PLACES	±---
3 PLACES	±--- ±.005
2 PLACES	±--- ±.010
1 PLACE	±--- ±.020
ANGULAR ±5°	
DRAFT WHERE APPLICABLE MUST REMAIN WITHIN DIMENSIONS	

DIMENSION STYLE INCHES	
DRAWN BY	DATE
TV	2009/01/09
CHECKED BY	DATE
HKNEELAN	2012/11/1
APPROVED BY	DATE
DTITUS	2012/11/20
MATERIAL NO.	130083-0915
SIZE	A

SCALE NTS	DESIGN UNITS INCH	THIRD ANGLE PROJECTION
TITLE		
92433 W/50' #12-3 CABLE		
3000-1 BOX W/ 1 OUTLET		
PRI. 1.5M & 1447 PLUG		
MOLEX INCORPORATED		SHEET NO. 1 OF 1
DOCUMENT NO. SD-130083-045		
THIS DRAWING CONTAINS INFORMATION THAT IS PROPRIETARY TO MOLEX INCORPORATED AND SHOULD NOT BE USED WITHOUT WRITTEN PERMISSION		

6

5

4

3

2

1