

PLEASE CHECK WWW.MOLEX.COM FOR LATEST PART INFORMATION

Part Number: [0850133304](#)
Status: **Active**
Overview: [DIN 41612](#)
Description: 2.54mm Pitch DIN 41612 Header, Through Hole, Vertical, Style R, 1µm Selective Gold (Au), 71 Circuits, Lead-Free

Documents:

[Drawing \(PDF\)](#) [RoHS Certificate of Compliance \(PDF\)](#)
[Product Specification PS-85013-0002 \(PDF\)](#)

Agency Certification

CSA LR19980
 UL E29179

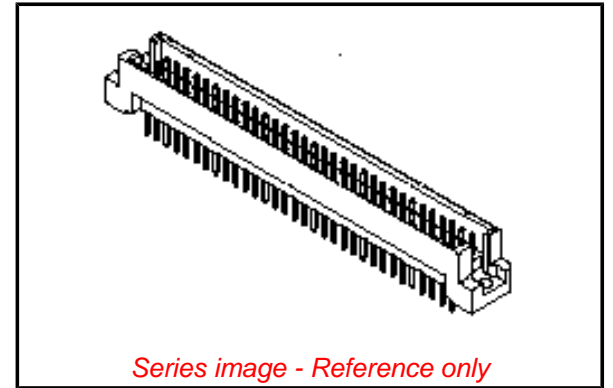
General

Product Family Backplane Connectors
 Series [85013](#)
 Application Backplane
 Component Type PCB Header
 Overview [DIN 41612](#)
 Product Name IEC 603-2/DIN 41612
 Style R
 UPC 800753238886

Physical

Circuits (Loaded) 71
 Circuits (maximum) 96
 Circuits Detail Rows A, B, & C
 Color - Resin Gray
 Durability (mating cycles max) 500
 First Mate / Last Break Yes
 Flammability 94V-0
 Guide to Mating Part No
 Keying to Mating Part Yes
 Material - Metal Phosphor Bronze
 Material - Plating Mating Gold
 Material - Plating Termination Tin
 Material - Resin Polyester
 Net Weight 10.654/g
 Number of Columns 32
 Number of Pairs Open Pin Field
 Number of Rows 3
 Orientation Vertical
 PC Tail Length 2.00mm
 PCB Locator No
 PCB Retention Yes
 Packaging Type Tray
 Pitch - Mating Interface 2.54mm
 Pitch - Termination Interface 2.54mm
 Plating min - Mating 0.610µm
 Plating min - Termination 0.406µm
 Stackable No
 Surface Mount Compatible (SMC) No
 Temperature Range - Operating -55°C to +125°C
 Termination Interface: Style Through Hole - Compliant Pin

Electrical



EU ELV

Not Relevant

EU RoHS

Compliant

REACH SVHC

Contains SVHC(2014 December 17): No

Halogen-Free

Status

Not Low-Halogen

Need more information on product environmental compliance?

Email productcompliance@molex.com
 Please visit the [Contact Us](#) section for any non-product compliance questions.

China ROHS

ELV

Green Image

Not Relevant

Search Parts in this Series

[85013 Series](#)

Mates With

[85052 Receptacle](#)

Current - Maximum per Contact	2.5A
Data Rate	622.0 Mbps
Voltage - Maximum	1000V (RMS)

Solder Process Data

Lead-free Process Capability	N/A
------------------------------	-----

Material Info

Reference - Drawing Numbers

Product Specification	PS-85013-0002
Sales Drawing	SDA-85013-3304

This document was generated on 07/07/2015

PLEASE CHECK WWW.MOLEX.COM FOR LATEST PART INFORMATION