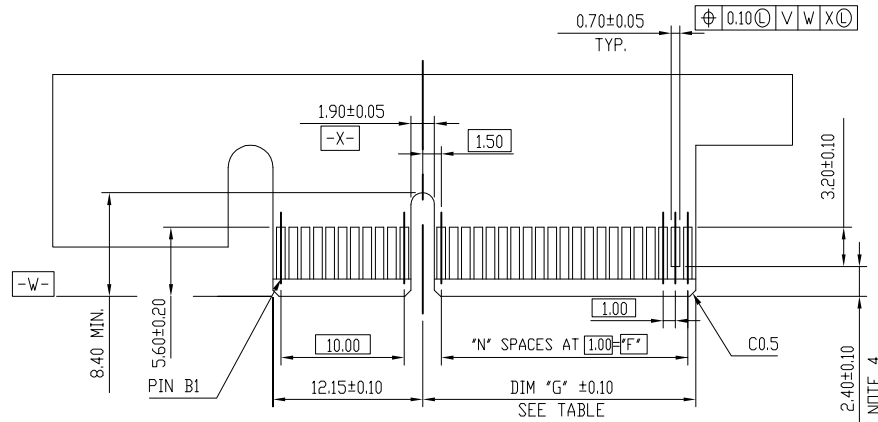
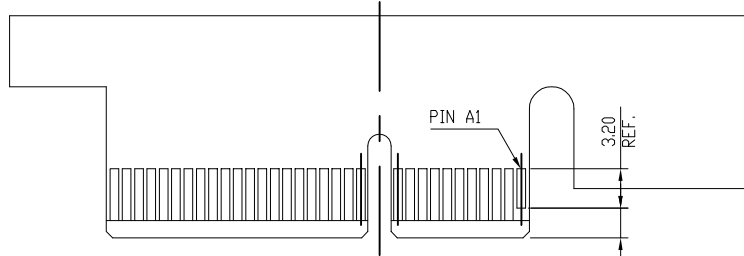


DIMENSIONS				
POSITION	B ±0.20	C ±0.20	D ±0.23	E
36	27.00	9.15	25.00	6
64	41.00	23.15	39.00	20
98	58.00	40.15	56.00	37
164	91.00	73.15	89.00	70

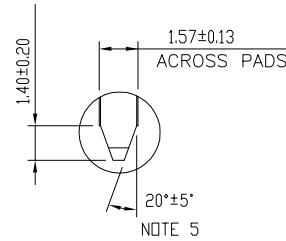
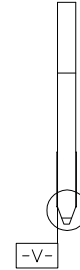
mat'l. code		surface 58 / tolerance ASME_Y14.5 / ASME_Y14.5		projection		product family PCI_EXPRESS	
ltr ecn no dr date		tolerances unless otherwise specified		MM		title	
		angles / .X±.30		MM		PCI_EXPRESS_CARD_EDGE_GEN3	
		line / .XX±.20		scale N/A		ONE_OPEN-END_SMT_ASS'Y	
		o'±2' / .XXX±.10		FCI		dwg no sheet 1 of 4 size	
dr ZHENHUA_LIU 2015-12-07		engr ZHENHUA_LIU 2015-12-07				10136870 A4	
chr STONE_LI 2015-12-07		appd PM_ZHENG 2015-12-07				type CUSTOMER Drawing	
sheet index	revision sheet	A	1				



I/O PANEL DIRECTION
PRIMARY (COMPONENT) SIDE



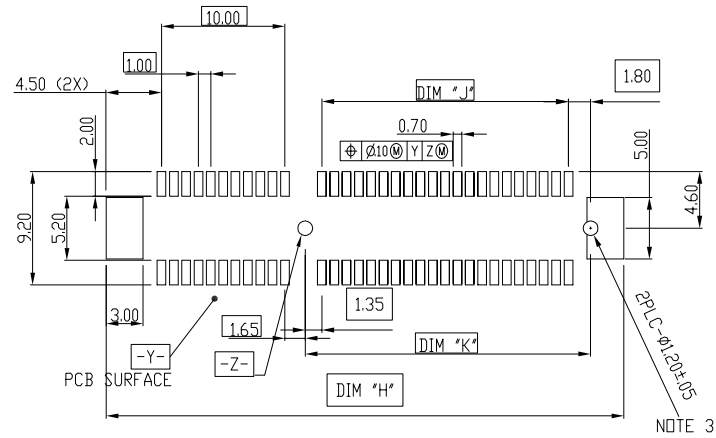
I/O PANEL DIRECTION
SECONDARY (SOLDER) SIDE



SCALE 2:1

#	POS REF.	N	DIM "G"	DIM "F"	"F"
36		6	8.15	6.00	B17
64		20	22.15	20.00	B31
98		37	39.15	37.00	B48
164		70	72.15	70.00	B81

mat'l. code		surface 58 ASME_Y14.5		tolerance ASME_Y14.5		projection 		product family PCI_EXPRESS	
ltr		ecn no		dr		date		title	
								PCI_EXPRESS_CARD_EDGE_GEN3	
								ONE_OPEN-END_SMT_ASS'Y	
								dwg no	
								sheet 2 of 4	
								size	
								A4	
								type	
								CUSTOMER Drawing	
sheet index	revision	A							
	sheet	2							



RECOMMENDED PCB LAYOUT, PAD TYPE

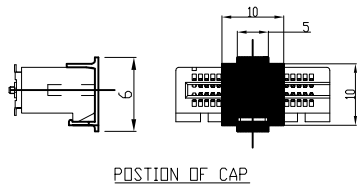
DIMENSIONS

POSITION	B ±0.20	C ±0.20	D ±0.23	E	H ±0.10	J	K ±0.10
36	27.00	9.15	25.00	6	28.00	6.00	9.15
64	41.00	23.15	39.00	20	42.00	20.00	23.15
98	58.00	40.15	56.00	37	59.00	37.00	40.15
164	91.00	73.15	89.00	70	92.00	70.00	73.15

mat'l. code		surface 58 ASME_Y14.5		tolerance ASME_Y14.5		projection 		product family PCI_EXPRESS	
ltr	ecn no	dr	date	tolerances unless otherwise specified		MM		title PCI_EXPRESS_CARD_EDGE_GEN3 ONE_OPEN-END_SMT_ASS'Y	
				angles	.X±.2	scale N/A		dwg no 10136870	
				lines	.XX±.13	sheet 3 of 4		size A4	
				0'±2'	.XXX±.05	FCJ		type CUSTOMER Drawing	
		dr	ZHENHUA_LIU	2015-12-07					
		engr	ZHENHUA_LIU	2015-12-07					
		chr	STONE_LI	2015-12-07					
		appd	PM_ZHENG	2015-12-07					
sheet index	revision	A							
	sheet	3							

NOTES:

- 1.MATERIAL:
 - HOUSING: NYLON, GLASS FILLED UL94V-0 RATE,
 - TERMINAL: COPPER ALLOY
 - PLATING: SEE PRODUCT NUMBER CODE
 - METAL PADS: COPPER ALLOY
 - FINISH: TIN OVER NICKEL
- 2.PRODUCT SPECIFICATION: GS-12-390.PACKAGING SPECIFICATION: GS-14-1451(HARD TRAY); GS-14-1143(STANDARD PACKING).
- ③THE HORIZONTAL AXIS FOR THE PAD PATTERN IS ESTABLISHED BY A LINE THROUGH THE CENTER OF THE TWO Ø1.0 HOLES.
THE VERTICAL AXIS IS 90° TO THE HORIZONTAL AXIS, THROUGH THE CENTER OF DATUM -Z-
- ④NO TIE BAR PERMITTED FROM CARD EDGE TO LEADING EDGE OF PAD FOR PINS A1.
- ⑤CHAMFER EDGES MUST BE FREE OF CUTTING BURRS.
- 6.RoHS COMPATIBLE PRODUCT SPECIFICATIONS
 - a - PLATING:
 - 'LF' MEANS THE PRODUCT IS LEAD-FREE
 - b - MANUFACTURING PROCESS COMPATIBILITY
 - THE HOUSING WILL WITHSTAND EXPOSURE TO 260°C±5°C PEAK TEMPERATURE FOR 5 SECONDS IN A CONVECTION, INFRA-RED OR VAPOR PHASE REFLOW OVEN.



PRODUCT NUMBER CODE

10136870 - X X X X L F

HOUSING COLOR OPTIONS
1-BLACK

TERMINAL PLATING OPTIONS
0-50µ" Ni UNDERPLATE
30µ" Au CONTACT AREA
100µ" TIN TAIL AREA -----COMPATIBLE RoHS
1-50µ" Ni UNDERPLATE
15µ" Au CONTACT AREA
100µ" TIN TAIL AREA -----COMPATIBLE RoHS
2-50µ" Ni UNDERPLATE
GOLD FLASH CONTACT AREA
100µ" TIN TAIL AREA -----COMPATIBLE RoHS

LEAD FREE OPTION

PACKAGING OPTIONS
T-TRAY PACKAGING WITHOUT CAP
P-TAPE & REEL PACKAGING WITH CAP (FOR 36P & 64P& 98P OPTIONS ONLY)
C-TRAY PACKAGING WITH CAP
Y-HARD TRAY (FOR 164P OPTION ONLY)
B-HARD TRAY WITH CAP (FOR 164P OPTION ONLY)

PDS OPTIONS
0-36
1-64
2-98
3-164

mat'l. code		surface 58 ASME_Y14.5		tolerance ASME_Y14.5		projection 		product family PCI_EXPRESS	
ltr	ecn no	dr	date	tolerances unless otherwise specified		MM		title	
				angles	.X±.2			PCI_EXPRESS_CARD_EDGE_GEN3	
				lines	.XX±.13			ONE_OPEN-END_SMT_ASS'Y	
				0'±2'	.XXX±.05	scale N/A		dwg no	
				dr	ZHENHUA_LIU	2015-12-07			sheet 4 of 4
				engr	ZHENHUA_LIU	2015-12-07			size
				chr	STONE_LI	2015-12-07			A4
				appd	PM_ZHENG	2015-12-07			type
sheet index	revision	A	sheet	4					