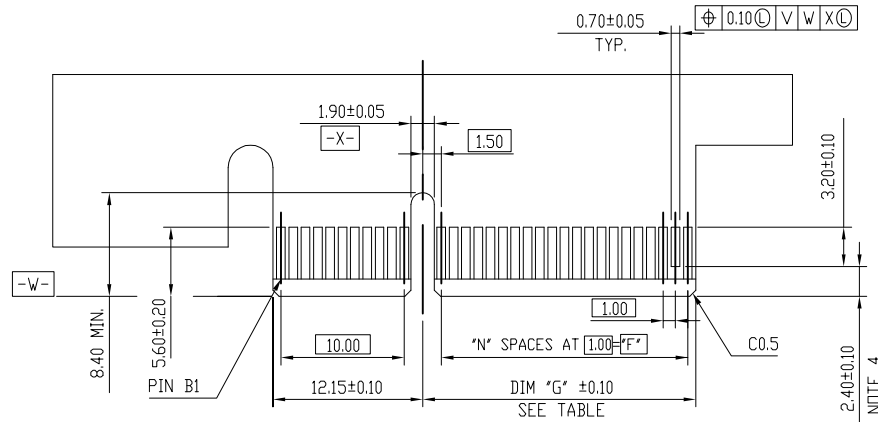
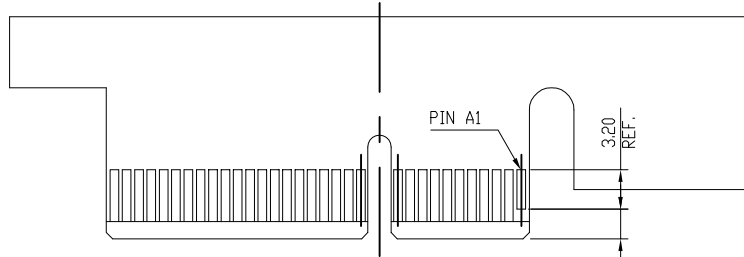


| DIMENSIONS |         |         |         |    |
|------------|---------|---------|---------|----|
| POSITION   | B ±0.20 | C ±0.20 | D ±0.23 | E  |
| 36         | 27.00   | 9.15    | 25.00   | 6  |
| 64         | 41.00   | 23.15   | 39.00   | 20 |
| 98         | 58.00   | 40.15   | 56.00   | 37 |
| 164        | 91.00   | 73.15   | 89.00   | 70 |

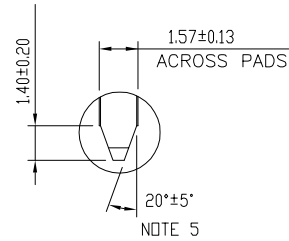
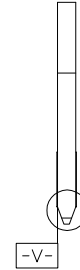
|                                       |  |  |  |                         |  |                            |  |
|---------------------------------------|--|--|--|-------------------------|--|----------------------------|--|
| mat'l. code                           |  | surface 58 / tolerance ASME_Y14.5 / ASME_Y14.5 |  | projection              |  | product family PCI_EXPRESS |  |
| ltr                                   |  | ecn no   |  | dr                      |  | date                       |  |
| tolerances unless otherwise specified |  | angles   |  | line                    |  | MM                         |  |
| .X±.30                                |  | .XX±.20  |  | .XXX±.10                |  | scale N/A                  |  |
| dr ZHENHUA_LIU 2015-12-07             |  | enr ZHENHUA_LIU 2015-12-07                     |  | chr STONE_LI 2015-12-07 |  | appd PM_ZHENG 2015-12-07   |  |
| sheet index                           |  | revision A                                     |  | sheet 1                 |  | sheet 1 of 4               |  |
| title                                 |  | PCI_EXPRESS_CARD_EDGE_GEN3                     |  | ONE_OPEN-END_SMT_ASS'Y  |  | size A4                    |  |
| dwg no                                |  | 10136870                                       |  | type                    |  | CUSTOMER Drawing           |  |



I/O PANEL DIRECTION  
PRIMARY (COMPONENT) SIDE



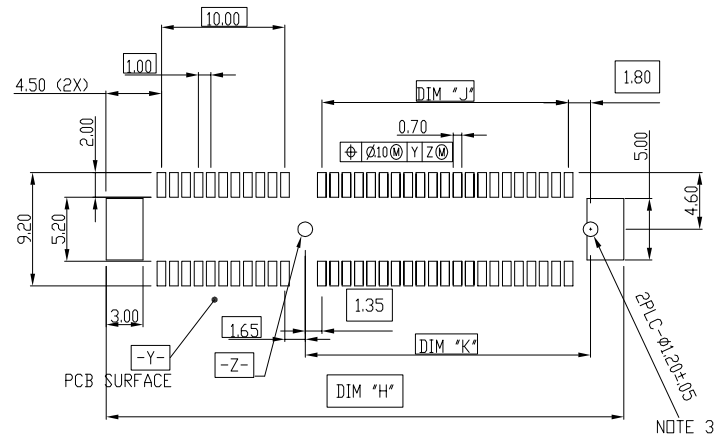
I/O PANEL DIRECTION  
SECONDARY (SOLDER) SIDE



SCALE 2:1

| #   | POS REF. | N  | DIM "G" | DIM "F" | "F" |
|-----|----------|----|---------|---------|-----|
| 36  |          | 6  | 8.15    | 6.00    | B17 |
| 64  |          | 20 | 22.15   | 20.00   | B31 |
| 98  |          | 37 | 39.15   | 37.00   | B48 |
| 164 |          | 70 | 72.15   | 70.00   | B81 |

|             |  |                          |  |                         |  |                |  |                               |  |
|-------------|--|--------------------------|--|-------------------------|--|----------------|--|-------------------------------|--|
| mat'l. code |  | surface 58<br>ASME_Y14.5 |  | tolerance<br>ASME_Y14.5 |  | projection<br> |  | product family<br>PCI_EXPRESS |  |
| ltr         |  | ecn no                   |  | dr                      |  | date           |  | title                         |  |
|             |  |                          |  |                         |  |                |  | PCI_EXPRESS_CARD_EDGE_GEN3    |  |
|             |  |                          |  |                         |  |                |  | ONE_OPEN-END_SMT_ASS'Y        |  |
|             |  |                          |  |                         |  |                |  | dwg no                        |  |
|             |  |                          |  |                         |  |                |  | sheet 2 of 4                  |  |
|             |  |                          |  |                         |  |                |  | size                          |  |
|             |  |                          |  |                         |  |                |  | A4                            |  |
|             |  |                          |  |                         |  |                |  | type                          |  |
|             |  |                          |  |                         |  |                |  | CUSTOMER Drawing              |  |
| sheet index |  | revision sheet           |  | A                       |  | 2              |  |                               |  |



RECOMMENDED PCB LAYOUT, PAD TYPE

DIMENSIONS

| POSITION | B ±0.20 | C ±0.20 | D ±0.23 | E  | H ±0.10 | J     | K ±0.10 |
|----------|---------|---------|---------|----|---------|-------|---------|
| 36       | 27.00   | 9.15    | 25.00   | 6  | 28.00   | 6.00  | 9.15    |
| 64       | 41.00   | 23.15   | 39.00   | 20 | 42.00   | 20.00 | 23.15   |
| 98       | 58.00   | 40.15   | 56.00   | 37 | 59.00   | 37.00 | 40.15   |
| 164      | 91.00   | 73.15   | 89.00   | 70 | 92.00   | 70.00 | 73.15   |

|             |          |                          |      |                                       |             |                |  |   |  |
|-------------|----------|--------------------------|------|---------------------------------------|-------------|----------------|--|---|--|
| mat'l. code |          | surface 58<br>ASME_Y14.5 |      | tolerance<br>ASME_Y14.5               |             | projection<br> |  | product family<br>PCI_EXPRESS                                 |  |
| ltr         | ecn no   | dr                       | date | tolerances unless otherwise specified |             | MM             |  | title<br>PCI_EXPRESS_CARD_EDGE_GEN3<br>ONE_OPEN-END_SMT_ASS'Y |  |
|             |          |                          |      | angles                                | .X±.2       | scale N/A      |  | dwg no<br>10136870  |  |
|             |          |                          |      | lines                                 | .XX±.13     | FCJ            |  | sheet 3 of 4 size<br>A4                                       |  |
|             |          |                          |      | 0'±2'                                 | .XXX±.05    |                |  | type<br>CUSTOMER Drawing                                      |  |
|             |          |                          |      | dr                                    | ZHENHUA_LIU | 2015-12-07     |  |   |  |
|             |          |                          |      | engr                                  | ZHENHUA_LIU | 2015-12-07     |  |   |  |
|             |          |                          |      | chr                                   | STONE_LI    | 2015-12-07     |  |   |  |
|             |          |                          |      | appd                                  | PM_ZHENG    | 2015-12-07     |  |   |  |
| sheet index | revision | A                        |      |                                       |             |                |  |   |  |
|             | sheet    | 3                        |      |                                       |             |                |  |   |  |

NOTES:

1.MATERIAL:

HOUSING: NYLON, GLASS FILLED UL94V-0 RATE,  
 TERMINAL: COPPER ALLOY  
 PLATING: SEE PRODUCT NUMBER CODE  
 METAL PADS: COPPER ALLOY  
 FINISH: TIN OVER NICKEL

2.PRODUCT SPECIFICATION: GS-12-390.PACKAGING SPECIFICATION: GS-14-1451(HARD TRAY); GS-14-1143(STANDARD PACKING).

③THE HORIZONTAL AXIS FOR THE PAD PATTERN IS ESTABLISHED BY  
 A LINE THROUGH THE CENTER OF THE TWO Ø1.0 HOLES.

THE VERTICAL AXIS IS 90° TO THE HORIZONTAL AXIS, THROUGH THE CENTER OF DATUM -Z-

④NO TIE BAR PERMITTED FROM CARD EDGE TO LEADING EDGE OF PAD FOR PINS A1.

⑤CHAMFER EDGES MUST BE FREE OF CUTTING BURRS.

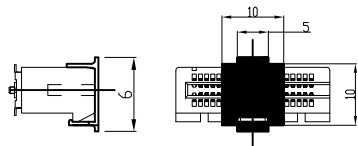
6.RoHS COMPATIBLE PRODUCT SPECIFICATIONS

a - PLATING:

- 'LF' MEANS THE PRODUCT IS LEAD-FREE

b - MANUFACTURING PROCESS COMPATIBILITY

- THE HOUSING WILL WITHSTAND EXPOSURE TO 260°C±5°C PEAK TEMPERATURE FOR 5 SECONDS IN A CONVECTION, INFRA-RED OR VAPOR PHASE REFLOW OVEN.



POSITION OF CAP

PRODUCT NUMBER CODE

10136870 - X X X X L F

HOUSING COLOR OPTIONS  
 1-BLACK

TERMINAL PLATING OPTIONS

- 0-50u" Ni UNDERPLATE
  - 30u" Au CONTACT AREA
  - 100u" TIN TAIL AREA -----COMPATIBLE RoHS
- 1-50u" Ni UNDERPLATE
  - 15u" Au CONTACT AREA
  - 100u" TIN TAIL AREA -----COMPATIBLE RoHS
- 2-50u" Ni UNDERPLATE
  - GOLD FLASH CONTACT AREA
  - 100u" TIN TAIL AREA -----COMPATIBLE RoHS

LEAD FREE OPTION

PACKAGING OPTIONS

- T-TRAY PACKAGING WITHOUT CAP
- P-TAPE & REEL PACKAGING WITH CAP (FOR 36P & 64P& 98P OPTIONS ONLY)
- C-TRAY PACKAGING WITH CAP
- Y-HARD TRAY (FOR 164P OPTION ONLY)
- B-HARD TRAY WITH CAP (FOR 164P OPTION ONLY)

PDS OPTIONS

- 0-36
- 1-64
- 2-98
- 3-164

|             |          |                          |             |                                       |          |                |  |                               |  |            |  |
|-------------|----------|--------------------------|-------------|---------------------------------------|----------|----------------|--|-------------------------------|--|------------|--|
| mat'l. code |          | surface 58<br>ASME_Y14.5 |             | tolerance<br>ASME_Y14.5               |          | projection<br> |  | product family<br>PCI_EXPRESS |  |            |  |
| ltr         | ecn no   | dr                       | date        | tolerances unless otherwise specified |          | MM<br>         |  | title                         |  |            |  |
|             |          |                          |             | angles                                | .X±.2    |                |  | PCI_EXPRESS_CARD_EDGE_GEN3    |  |            |  |
|             |          |                          |             | line                                  | .XX±.13  |                |  | ONE_OPEN-END_SMT_ASS'Y        |  |            |  |
|             |          |                          |             | 0'±2'                                 | .XXX±.05 | scale N/A      |  | dwg no                        |  |            |  |
|             |          | dr                       | ZHENHUA_LIU | 2015-12-07                            |          |                |  | sheet 4 of 4                  |  |            |  |
|             |          | engr                     | ZHENHUA_LIU | 2015-12-07                            |          |                |  | 10136870                      |  | size<br>A4 |  |
|             |          | chr                      | STONE_LI    | 2015-12-07                            |          |                |  |                               |  |            |  |
|             |          | appd                     | PM_ZHENG    | 2015-12-07                            |          |                |  |                               |  |            |  |
| sheet index | revision | A                        |             |                                       |          |                |  | type<br>CUSTOMER Drawing      |  |            |  |
|             | sheet    | 4                        |             |                                       |          |                |  |                               |  |            |  |