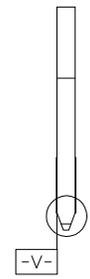
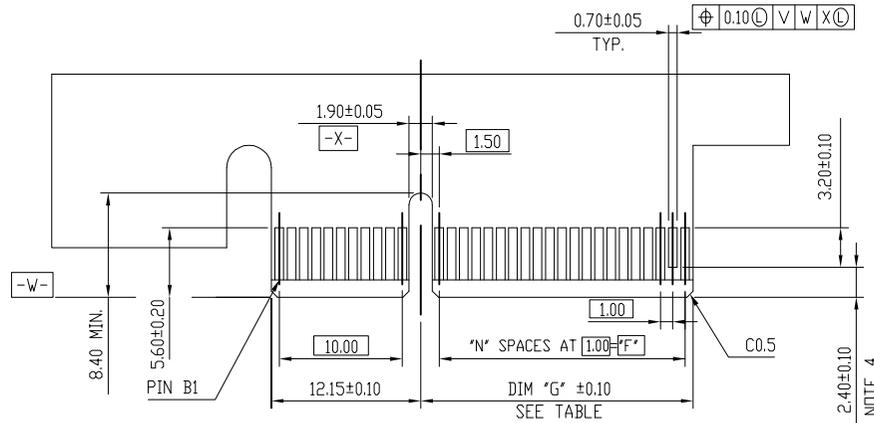
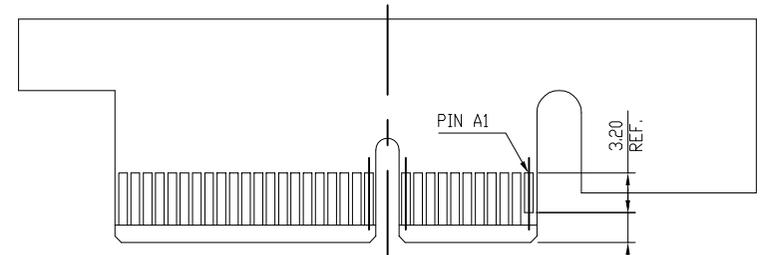


DIMENSIONS				
POSITION	B ±0.20	C ±0.20	D ±0.23	E
36	27.00	9.15	25.00	6
64	41.00	23.15	39.00	20
98	58.00	40.15	56.00	37
164	91.00	73.15	89.00	70

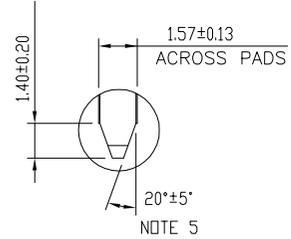
mat'l. code	surface 58 / tolerance ASME_Y14.5 / ASME_Y14.5	projection	product family PCI_EXPRESS
ltr	ecn no	dr	date
tolerances unless otherwise specified			title
angles	Line	.X±.30	PCI_EXPRESS_CARD_EDGE_GEN3
0'±2'	.XX±.20	.XXX±.10	ONE_OPEN-END_SMT_ASS'Y
dr	ZHENHUA_LIU	2015-12-07	dwg no
engr	ZHENHUA_LIU	2015-12-07	sheet 1 of 4
chr	STONE_LI	2015-12-07	10136870
appd	PM_ZHENG	2015-12-07	A4
sheet index	revision sheet	A 1	type CUSTOMER Drawing



I/O PANEL DIRECTION
PRIMARY (COMPONENT) SIDE

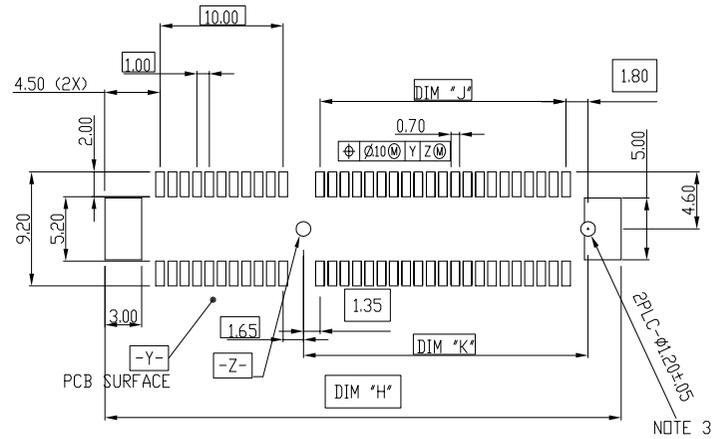


I/O PANEL DIRECTION
SECONDARY (SOLDER) SIDE



#	POS REF.	N	DIM "G"	DIM "F"	"F"
36		6	8.15	6.00	B17
64		20	22.15	20.00	B31
98		37	39.15	37.00	B48
164		70	72.15	70.00	B81

mat'l. code		surface 58 ASME_Y14.5		tolerance ASME_Y14.5		projection 		product family PCI_EXPRESS	
ltr		ecn no		dr		date		title	
								PCI_EXPRESS_CARD_EDGE_GEN3 ONE_OPEN-END_SMT_ASS'Y	
								scale N/A	
								dwg no 10136870	
								sheet 2 of 4	
								size A4	
								type CUSTOMER Drawing	
sheet index		revision		A					
		sheet		2					



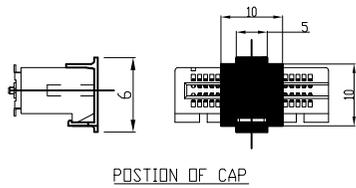
RECOMMENDED PCB LAYOUT, PAD TYPE

DIMENSIONS							
POSITION	B ±0.20	C ±0.20	D ±0.23	E	H ±0.10	J	K ±0.10
36	27.00	9.15	25.00	6	28.00	6.00	9.15
64	41.00	23.15	39.00	20	42.00	20.00	23.15
98	58.00	40.15	56.00	37	59.00	37.00	40.15
164	91.00	73.15	89.00	70	92.00	70.00	73.15

mat'l. code		surface 58 ASME_Y14.5		tolerance ASME_Y14.5		projection 		product family PCI_EXPRESS	
ltr	ecn no	dr	date	tolerances unless otherwise specified		MM		title PCI_EXPRESS_CARD_EDGE_GEN3 ONE_OPEN-END_SMT_ASS'Y	
				angles	.X±.2	scale N/A		dwg no 10136870	
				lines	.XX±.13	sheet 3 of 4		size A4	
				0'±2'	.XXX±.05	FCJ		type CUSTOMER Drawing	
		dr	ZHENHUA_LIU	2015-12-07					
		engr	ZHENHUA_LIU	2015-12-07					
		chr	STONE_LI	2015-12-07					
		appd	PM_ZHENG	2015-12-07					
sheet index	revision	A							
	sheet	3							

NOTES:

- 1.MATERIAL:
 - HOUSING: NYLON, GLASS FILLED UL94V-0 RATE,
 - TERMINAL: COPPER ALLOY
 - PLATING: SEE PRODUCT NUMBER CODE
 - METAL PADS: COPPER ALLOY
 - FINISH: TIN OVER NICKEL
- 2.PRODUCT SPECIFICATION: GS-12-390.PACKAGING SPECIFICATION: GS-14-1451(HARD TRAY); GS-14-1143(STANDARD PACKING).
- ③THE HORIZONTAL AXIS FOR THE PAD PATTERN IS ESTABLISHED BY A LINE THROUGH THE CENTER OF THE TWO Ø1.0 HOLES.
THE VERTICAL AXIS IS 90° TO THE HORIZONTAL AXIS, THROUGH THE CENTER OF DATUM -Z-
- ④NO TIE BAR PERMITTED FROM CARD EDGE TO LEADING EDGE OF PAD FOR PINS A1.
- ⑤CHAMFER EDGES MUST BE FREE OF CUTTING BURRS.
- 6.RoHS COMPATIBLE PRODUCT SPECIFICATIONS
 - a - PLATING:
 - 'LF' MEANS THE PRODUCT IS LEAD-FREE
 - b - MANUFACTURING PROCESS COMPATIBILITY
 - THE HOUSING WILL WITHSTAND EXPOSURE TO 260°C±5°C PEAK TEMPERATURE FOR 5 SECONDS IN A CONVECTION, INFRA-RED OR VAPOR PHASE REFLOW OVEN.



PRODUCT NUMBER CODE

10136870 - X X X X L F

HOUSING COLOR OPTIONS
1-BLACK

TERMINAL PLATING OPTIONS
 0-50µ" Ni UNDERPLATE
 30µ" Au CONTACT AREA
 100µ" TIN TAIL AREA -----COMPATIBLE RoHS
 1-50µ" Ni UNDERPLATE
 15µ" Au CONTACT AREA
 100µ" TIN TAIL AREA -----COMPATIBLE RoHS
 2-50µ" Ni UNDERPLATE
 GOLD FLASH CONTACT AREA
 100µ" TIN TAIL AREA -----COMPATIBLE RoHS

LEAD FREE OPTION

PACKAGING OPTIONS
 T-TRAY PACKAGING WITHOUT CAP
 P-TAPE & REEL PACKAGING WITH CAP (FOR 36P & 64P& 98P OPTIONS ONLY)
 C-TRAY PACKAGING WITH CAP
 Y-HARD TRAY (FOR 164P OPTION ONLY)
 B-HARD TRAY WITH CAP (FOR 164P OPTION ONLY)

PDS OPTIONS

0-36
 1-64
 2-98
 3-164

mat'l. code		surface 58 ASME_Y14.5		tolerance ASME_Y14.5		projection 		product family PCI_EXPRESS			
ltr	ecn no	dr	date	tolerances unless otherwise specified		MM 		title			
				angles	.X±.2			PCI_EXPRESS_CARD_EDGE_GEN3			
				lines	.XX±.13			ONE_OPEN-END_SMT_ASS'Y			
				0'±2'	.XXX±.05	scale N/A		dwg no			
		dr	ZHENHUA_LIU	2015-12-07				sheet 4 of 4			
		engr	ZHENHUA_LIU	2015-12-07				10136870		size A4	
		chr	STONE_LI	2015-12-07							
		appd	PM_ZHENG	2015-12-07							
sheet index	revision	A						type CUSTOMER Drawing			
	sheet	4									