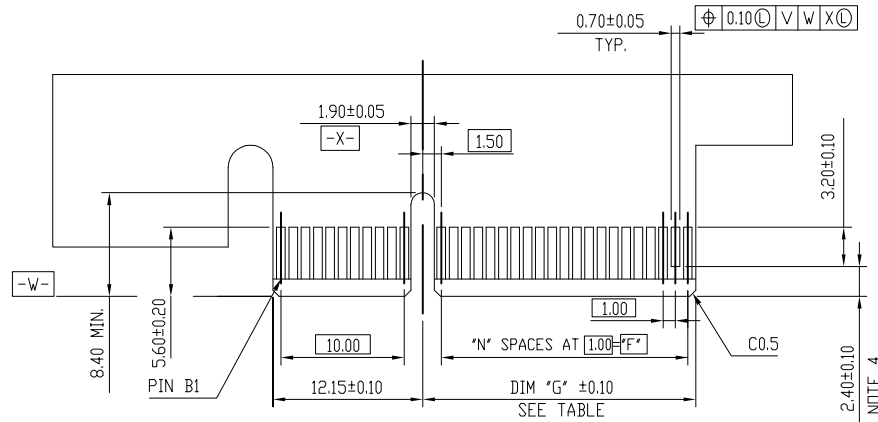
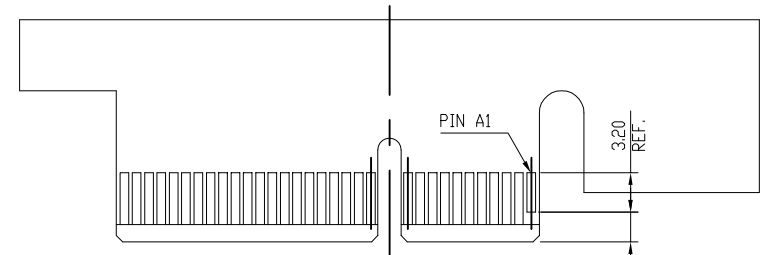


DIMENSIONS				
POSITION	B ±0.20	C ±0.20	D ±0.23	E
36	27.00	9.15	25.00	6
64	41.00	23.15	39.00	20
98	58.00	40.15	56.00	37
164	91.00	73.15	89.00	70

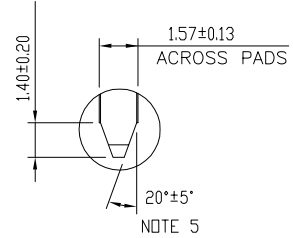
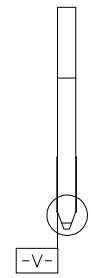
mat'l. code	surface 58 / tolerance ASME_Y14.5 / ASME_Y14.5	projection	product family PCI_EXPRESS
ltr	ecn no	dr	date
tolerances unless otherwise specified			
angles .X±.30			
line .XX±.20			
0'±2' .XXX±.10			
dr	ZHENHUA_LIU	2015-12-07	
enr	ZHENHUA_LIU	2015-12-07	
chr	STONE_LI	2015-12-07	
app	PM_ZHENG	2015-12-07	
sheet index	revision sheet	A 1	
		MM	scale N/A
		FCI	title PCI_EXPRESS_CARD_EDGE_GEN3 ONE_OPEN-END_SMT_ASS'Y
		dwg no	sheet 1 of 4 size
		10136870	A4
		type	CUSTOMER Drawing



← I/O PANEL DIRECTION
PRIMARY (COMPONENT) SIDE



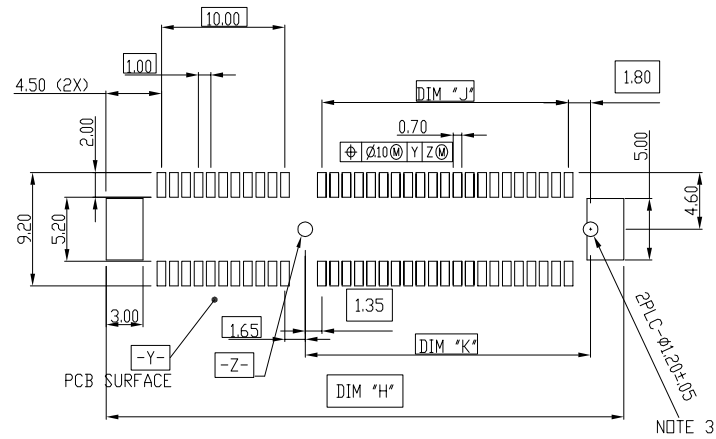
I/O PANEL DIRECTION →
SECONDARY (SOLDER) SIDE



SCALE 2:1

#	POS REF.	N	DIM "G"	DIM "F"	"F"
36		6	8.15	6.00	B17
64		20	22.15	20.00	B31
98		37	39.15	37.00	B48
164		70	72.15	70.00	B81

mat'l. code	surface 58 ASME_Y14.5	tolerance ASME_Y14.5	projection 	product family PCI_EXPRESS
ltr	ecn no	dr	date	title PCI_EXPRESS_CARD_EDGE_GEN3 ONE_OPEN-END_SMT_ASS'Y
				scale N/A
				dwg no 10136870 sheet 2 of 4 size A4
				type CUSTOMER Drawing
sheet index	revision A	sheet 2		



RECOMMENDED PCB LAYOUT, PAD TYPE

DIMENSIONS

POSITION	B ±0.20	C ±0.20	D ±0.23	E	H ±0.10	J	K ±0.10
36	27.00	9.15	25.00	6	28.00	6.00	9.15
64	41.00	23.15	39.00	20	42.00	20.00	23.15
98	58.00	40.15	56.00	37	59.00	37.00	40.15
164	91.00	73.15	89.00	70	92.00	70.00	73.15

mat'l. code		surface 58 ASME_Y14.5		tolerance ASME_Y14.5		projection 		product family PCI_EXPRESS	
ltr	ecn no	dr	date	tolerances unless otherwise specified		MM		title PCI_EXPRESS_CARD_EDGE_GEN3 ONE_OPEN-END_SMT_ASS'Y	
				angles	.X±.2	scale N/A		dwg no 10136870	
				lines	.XX±.13			sheet 3 of 4	
				0'±2'	.XXX±.05			size A4	
		dr	ZHENHUA_LIU	2015-12-07				type CUSTOMER Drawing	
		enfr	ZHENHUA_LIU	2015-12-07					
		chr	STONE_LI	2015-12-07					
		appd	PM_ZHENG	2015-12-07					
sheet index	revision	A							
	sheet	3							

NOTES:

1.MATERIAL:

HOUSING: NYLON, GLASS FILLED UL94V-0 RATE,
 TERMINAL: COPPER ALLOY
 PLATING: SEE PRODUCT NUMBER CODE
 METAL PADS: COPPER ALLOY
 FINISH: TIN OVER NICKEL

2.PRODUCT SPECIFICATION: GS-12-390.PACKAGING SPECIFICATION: GS-14-1451(HARD TRAY); GS-14-1143(STANDARD PACKING).

③THE HORIZONTAL AXIS FOR THE PAD PATTERN IS ESTABLISHED BY
 A LINE THROUGH THE CENTER OF THE TWO Ø1.0 HOLES.

THE VERTICAL AXIS IS 90° TO THE HORIZONTAL AXIS, THROUGH THE CENTER OF DATUM -Z-

④NO TIE BAR PERMITTED FROM CARD EDGE TO LEADING EDGE OF PAD FOR PINS A1.

⑤CHAMFER EDGES MUST BE FREE OF CUTTING BURRS.

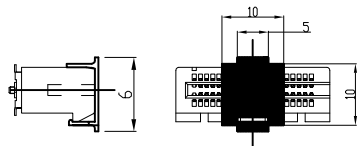
6.RoHS COMPATIBLE PRODUCT SPECIFICATIONS

a - PLATING:

- 'LF' MEANS THE PRODUCT IS LEAD-FREE

b - MANUFACTURING PROCESS COMPATIBILITY

- THE HOUSING WILL WITHSTAND EXPOSURE TO 260°C±5°C PEAK TEMPERATURE FOR 5 SECONDS IN A CONVECTION, INFRA-RED OR VAPOR PHASE REFLOW OVEN.



POSITION OF CAP

PRODUCT NUMBER CODE

10136870 - X X X X L F

HOUSING COLOR OPTIONS
 1-BLACK

TERMINAL PLATING OPTIONS

- 0-50u" Ni UNDERPLATE
 30u" Au CONTACT AREA
 100u" TIN TAIL AREA -----COMPATIBLE RoHS
- 1-50u" Ni UNDERPLATE
 15u" Au CONTACT AREA
 100u" TIN TAIL AREA -----COMPATIBLE RoHS
- 2-50u" Ni UNDERPLATE
 GOLD FLASH CONTACT AREA
 100u" TIN TAIL AREA -----COMPATIBLE RoHS

LEAD FREE OPTION

PACKAGING OPTIONS

- T-TRAY PACKAGING WITHOUT CAP
- P-TAPE & REEL PACKAGING WITH CAP (FOR 36P & 64P& 98P OPTIONS ONLY)
- C-TRAY PACKAGING WITH CAP
- Y-HARD TRAY (FOR 164P OPTION ONLY)
- B-HARD TRAY WITH CAP (FOR 164P OPTION ONLY)

PDS OPTIONS

- 0-36
- 1-64
- 2-98
- 3-164

mat'l. code		surface 58 ASME_Y14.5		tolerance ASME_Y14.5		projection 		product family PCI_EXPRESS		
ltr	ecn no	dr	date	tolerances unless otherwise specified		MM 		title		
				angles	.X±.2			PCI_EXPRESS_CARD_EDGE_GEN3		
				line	.XX±.13			ONE_OPEN-END_SMT_ASS'Y		
				0'±2'	.XXX±.05	scale N/A		dwg no		
				dr	ZHENHUA_LIU	2015-12-07			sheet 4 of 4	
				engr	ZHENHUA_LIU	2015-12-07			10136870	
				chr	STONE_LI	2015-12-07			A4	
				app	PM_ZHENG	2015-12-07			type	
sheet index	revision	A								
	sheet	4								