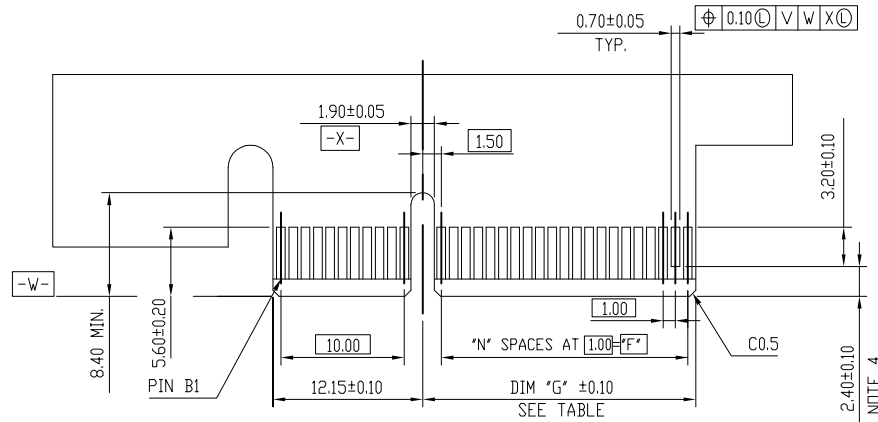
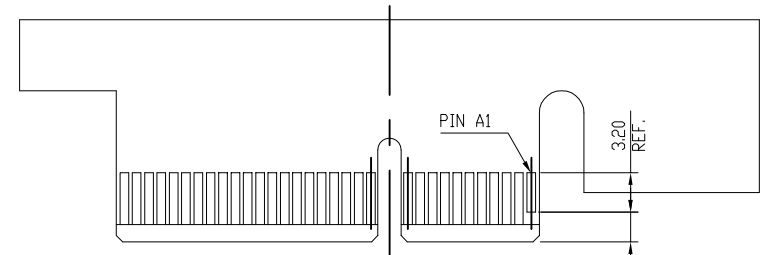


DIMENSIONS				
POSITION	B ±0.20	C ±0.20	D ±0.23	E
36	27.00	9.15	25.00	6
64	41.00	23.15	39.00	20
98	58.00	40.15	56.00	37
164	91.00	73.15	89.00	70

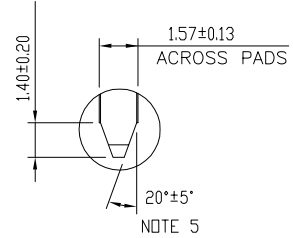
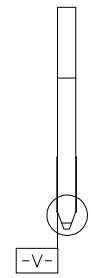
mat'l. code		surface 58 / tolerance ASME_Y14.5 / ASME_Y14.5		projection		product family PCI_EXPRESS	
ltr ecn no dr date		tolerances unless otherwise specified		MM		title	
		angles / .XX±.20		scale N/A		PCI_EXPRESS_CARD_EDGE_GEN3 ONE_OPEN-END_SMT_ASS'Y	
		dr ZHENHUA_LIU 2015-12-07		FCI		dwg no 10136870 sheet 1 of 4 size A4	
		enr ZHENHUA_LIU 2015-12-07				type CUSTOMER Drawing	
		chr STONE_LI 2015-12-07					
		appd PM_ZHENG 2015-12-07					
sheet index	revision sheet	A 1					



I/O PANEL DIRECTION  
PRIMARY (COMPONENT) SIDE



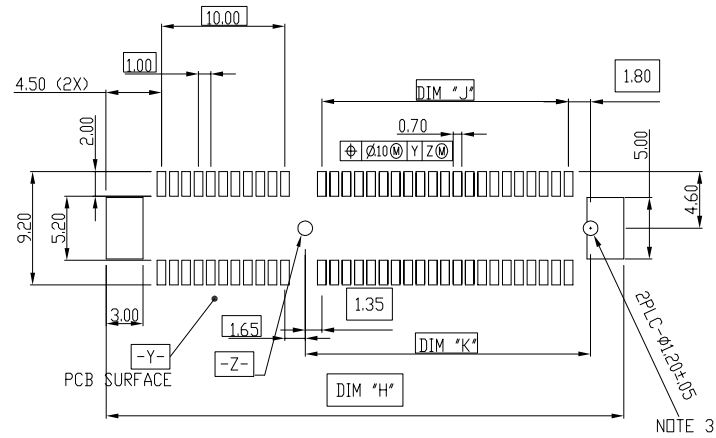
I/O PANEL DIRECTION  
SECONDARY (SOLDER) SIDE



SCALE 2:1

#	POS REF.	N	DIM "G"	DIM "F"	"F"
36		6	8.15	6.00	B17
64		20	22.15	20.00	B31
98		37	39.15	37.00	B48
164		70	72.15	70.00	B81

mat'l. code		surface 58 ASME_Y14.5		tolerance ASME_Y14.5		projection 		product family PCI_EXPRESS	
ltr	ecn no	dr	date	tolerances unless otherwise specified				title	
				angles	.X±.2	MM		PCI_EXPRESS_CARD_EDGE_GEN3	
				line	.XX±.13	scale N/A		ONE_OPEN-END_SMT_ASS'Y	
				0'±2'	.XXX±.05			dwg no	
				dr	ZHENHUA_LIU	2015-12-07			sheet 2 of 4
				enr	ZHENHUA_LIU	2015-12-07	10136870		A4
				chr	STONE_LI	2015-12-07	type		CUSTOMER Drawing
				app	PM_ZHENG	2015-12-07			
sheet index	revision	A							
	sheet	2							



RECOMMENDED PCB LAYOUT, PAD TYPE

DIMENSIONS

POSITION	B ±0.20	C ±0.20	D ±0.23	E	H ±0.10	J	K ±0.10
36	27.00	9.15	25.00	6	28.00	6.00	9.15
64	41.00	23.15	39.00	20	42.00	20.00	23.15
98	58.00	40.15	56.00	37	59.00	37.00	40.15
164	91.00	73.15	89.00	70	92.00	70.00	73.15

mat'l. code		surface 58 ASME_Y14.5		tolerance ASME_Y14.5		projection 		product family PCI_EXPRESS	
ltr		ecn no		dr		date		tolerances unless otherwise specified	
								.X±.2	
								.XX±.13	
								.XXX±.05	
				dr		ZHENHUA_LIU		2015-12-07	
				engr		ZHENHUA_LIU		2015-12-07	
				chr		STONE_LI		2015-12-07	
				appd		PM_ZHENG		2015-12-07	
sheet index		revision sheet		A 3					
								scale N/A	
								MM	
								title PCI_EXPRESS_CARD_EDGE_GEN3 ONE_OPEN-END_SMT_ASS'Y	
								dwg no 10136870	
								sheet 3 of 4	
								size A4	
								type CUSTOMER Drawing	

NOTES:

1.MATERIAL:

HOUSING: NYLON, GLASS FILLED UL94V-0 RATE,  
 TERMINAL: COPPER ALLOY  
 PLATING: SEE PRODUCT NUMBER CODE  
 METAL PADS: COPPER ALLOY  
 FINISH: TIN OVER NICKEL

2.PRODUCT SPECIFICATION: GS-12-390.PACKAGING SPECIFICATION: GS-14-1451(HARD TRAY); GS-14-1143(STANDARD PACKING).

③THE HORIZONTAL AXIS FOR THE PAD PATTERN IS ESTABLISHED BY  
 A LINE THROUGH THE CENTER OF THE TWO Ø1.0 HOLES.

THE VERTICAL AXIS IS 90° TO THE HORIZONTAL AXIS, THROUGH THE CENTER OF DATUM -Z-

④NO TIE BAR PERMITTED FROM CARD EDGE TO LEADING EDGE OF PAD FOR PINS A1.

⑤CHAMFER EDGES MUST BE FREE OF CUTTING BURRS.

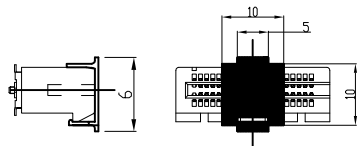
6.RoHS COMPATIBLE PRODUCT SPECIFICATIONS

a - PLATING:

- 'LF' MEANS THE PRODUCT IS LEAD-FREE

b - MANUFACTURING PROCESS COMPATIBILITY

- THE HOUSING WILL WITHSTAND EXPOSURE TO 260°C±5°C PEAK TEMPERATURE FOR 5 SECONDS IN A CONVECTION, INFRA-RED OR VAPOR PHASE REFLOW OVEN.



POSITION OF CAP

PRODUCT NUMBER CODE

10136870 - X X X X L F

HOUSING COLOR OPTIONS  
 1-BLACK

TERMINAL PLATING OPTIONS

- 0-50u" Ni UNDERPLATE
  - 30u" Au CONTACT AREA
  - 100u" TIN TAIL AREA -----COMPATIBLE RoHS
- 1-50u" Ni UNDERPLATE
  - 15u" Au CONTACT AREA
  - 100u" TIN TAIL AREA -----COMPATIBLE RoHS
- 2-50u" Ni UNDERPLATE
  - GOLD FLASH CONTACT AREA
  - 100u" TIN TAIL AREA -----COMPATIBLE RoHS

LEAD FREE OPTION

PACKAGING OPTIONS

- T-TRAY PACKAGING WITHOUT CAP
- P-TAPE & REEL PACKAGING WITH CAP (FOR 36P & 64P& 98P OPTIONS ONLY)
- C-TRAY PACKAGING WITH CAP
- Y-HARD TRAY (FOR 164P OPTION ONLY)
- B-HARD TRAY WITH CAP (FOR 164P OPTION ONLY)

PDS OPTIONS

- 0-36
- 1-64
- 2-98
- 3-164

mat'l. code		surface 58 ASME_Y14.5		tolerance ASME_Y14.5		projection 		product family PCI_EXPRESS		
ltr	ecn no	dr	date	tolerances unless otherwise specified		MM 		title		
				angles	.X±.2			PCI_EXPRESS_CARD_EDGE_GEN3		
				lines	.XX±.13			ONE_OPEN-END_SMT_ASS'Y		
				0'±2'	.XXX±.05	scale N/A		dwg no		
		dr	ZHENHUA_LIU	2015-12-07			sheet 4 of 4			
		engr	ZHENHUA_LIU	2015-12-07			10136870		size A4	
		chr	STONE_LI	2015-12-07						
		appd	PM_ZHENG	2015-12-07						
sheet index	revision	A						type CUSTOMER Drawing		
	sheet	4								