

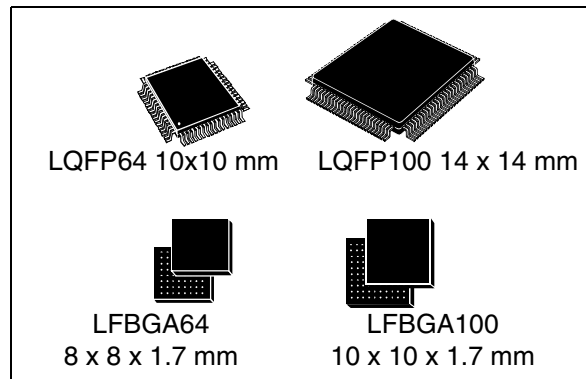


STR750Fxx STR751Fxx STR752Fxx STR755Fxx

ARM7TDMI-S™ 32-bit MCU with Flash, SMI, 3 std 16-bit timers, PWM timer, fast 10-bit ADC, I2C, UART, SSP, USB and CAN

Features

- Core
 - ARM7TDMI-S 32-bit RISC CPU
 - 54 DMIPS @ 60 MHz
- Memories
 - Up to 256 KB Flash program memory (10k W/E cycles, retention 20 yrs @ 85°C)
 - 16 KB Read-While-Write Flash for data (100k W/E cycles, retention 20 yrs @ 85°C)
 - Flash Data Readout and Write Protection
 - 16KBytes embedded high speed SRAM
 - Memory mapped interface (SMI) to ext. Serial Flash (64 MB) w. boot capability
- Clock, reset and supply management
 - Single supply 3.3V ±10% or 5V ±10%
 - Embedded 1.8V Voltage Regulators
 - Int. RC for fast start-up and backup clock
 - Up to 60 MHz operation using internal PLL with 4 or 8 MHz crystal/ceramic osc.
 - Smart Low Power Modes: SLOW, WFI, STOP and STANDBY with backup registers
 - Real-time Clock, driven by low power internal RC or 32.768 kHz dedicated osc, for clock-calendar and Auto Wake-up
- Nested interrupt controller
 - Fast interrupt handling with 32 vectors
 - 16 IRQ priorities, 2 maskable FIQ sources
 - 16 external interrupt / wake-up lines
- DMA
 - 4-channel DMA controller
 - Circular buffer management
 - Support for UART, SSP, Timers, ADC
- 6 Timers
 - 16-bit watchdog timer (WDG)
 - 16-bit timer for system timebase functions
 - 3 synchronizable timers each with up to 2 input captures and 2 output compare/PWMs.



- 16-bit 6-ch. synchronizable PWM timer
- Dead time generation, edge/center-aligned waveforms and emergency stop
- Ideal for induction/brushless DC motors
- 8 Communications interfaces
 - 1 I²C interface
 - 3 HiSpeed UARTs w. Modem/LIN capability
 - 2 SSP interfaces (SPI or SSI) up to 16 Mb/s
 - 1 CAN interface (2.0B Active)
 - 1 USB full-speed 12 Mb/s interface with 8 configurable endpoint sizes
- 10-bit A/D converter
 - 16/11 chan. with prog. Scan Mode & FIFO
 - Programmable Analog Watchdog feature
 - Conversion time: min. 3.75 µs
 - Start conversion can be triggered by timers
- Up to 72/38 I/O ports
 - 72/38 GPIOs with High Sink capabilities
 - Atomic bit SET and RES operations

Table 1. Device summary

| Reference | Part number |
|-----------|--|
| STR750Fxx | STR750FV0, STR750FV1, STR750FV2 |
| STR751Fxx | STR751FR0, STR751FR1, STR751FR2 |
| STR752Fxx | STR752FR0, STR752FR1, STR752FR2 |
| STR755Fxx | STR755FR0, STR755FR1, STR755FR2 STR755FV0, STR755FV1, STR755FV2 |

Contents

| | | |
|----------|--|-----------|
| 1 | Description | 4 |
| 2 | Device overview | 4 |
| 3 | Introduction | 5 |
| 3.1 | Functional description | 5 |
| 3.2 | Block diagram | 11 |
| 4 | Pin description | 12 |
| 4.1 | Pin description table | 15 |
| 4.2 | External components | 22 |
| 5 | Memory map | 23 |
| 6 | Electrical parameters | 24 |
| 6.1 | Parameter conditions | 24 |
| 6.1.1 | Minimum and maximum values | 24 |
| 6.1.2 | Typical values | 24 |
| 6.1.3 | Typical curves | 24 |
| 6.1.4 | Loading capacitor | 25 |
| 6.1.5 | Pin input voltage | 25 |
| 6.1.6 | Power supply schemes | 26 |
| 6.1.7 | I/O characteristics versus the various power schemes (3.3V or 5.0V) .. | 29 |
| 6.1.8 | Current consumption measurements | 29 |
| 6.2 | Absolute maximum ratings | 32 |
| 6.2.1 | Voltage characteristics | 32 |
| 6.2.2 | Current characteristics | 33 |
| 6.2.3 | Thermal characteristics | 33 |
| 6.3 | Operating conditions | 34 |
| 6.3.1 | General operating conditions | 34 |
| 6.3.2 | Operating conditions at power-up / power-down | 35 |
| 6.3.3 | Embedded voltage regulators | 35 |
| 6.3.4 | Supply current characteristics | 36 |
| 6.3.5 | Clock and timing characteristics | 44 |

| | | |
|----------|---|-----------|
| 6.3.6 | Memory characteristics | 50 |
| 6.3.7 | EMC characteristics | 51 |
| 6.3.8 | I/O port pin characteristics | 54 |
| 6.3.9 | TB and TIM timer characteristics | 60 |
| 6.3.10 | Communication interface characteristics | 62 |
| 6.3.11 | USB characteristics | 70 |
| 6.3.12 | 10-bit ADC characteristics | 72 |
| 7 | Package characteristics | 76 |
| 7.1 | Package mechanical data | 76 |
| 7.2 | Thermal characteristics | 79 |
| 7.2.1 | Reference document | 79 |
| 7.2.2 | Selecting the product temperature range | 80 |
| 8 | Order codes | 81 |
| 9 | Revision history | 83 |

1 Description

The STR750 family of 32-bit microcontrollers combines the industry-standard ARM7TDMI® 32-bit RISC core, featuring high performance, very low power, and very dense code, with a comprehensive set of peripherals and ST's latest 0.18µ embedded Flash technology. The STR750 family comprises a range of devices integrating a common set of peripherals as well as USB, CAN and some key innovations like clock failure detection and an advanced motor control timer. It supports both 3.3V and 5V, and it is also available in an extended temperature range (-40 to +105°C). This makes it a genuine general purpose microcontroller family, suitable for a wide range of applications:

- Appliances, brushless motor drives
- USB peripherals, UPS, alarm systems
- Programmable logic controllers, circuit breakers, inverters
- Medical and portable equipment

2 Device overview

Table 2. Device overview

| Features | STR755FR0 STR755FR1 STR755FR2 | STR751FR0/ STR751FR1/ STR751FR2 | STR752FR0/ STR752FR1/ STR752FR2 | STR755FV0 STR755FV1/ STR755FV2 | STR750FV0/ STR750FV1/ STR750FV2 |
|------------------------|---|---------------------------------------|---------------------------------------|--|---------------------------------------|
| Flash - Bank 0 (bytes) | 64K/128K/256K | | | | |
| Flash - Bank 1 (bytes) | 16K RWW | | | | |
| RAM (bytes) | 16K | | | | |
| Operating Temperature. | Ambient temp.: -40 to +85°C / -40 to +105°C (see Table 49) Junction temp. -40 to + 125 °C (see Table 10) | | | | |
| Common Peripherals | 3 UARTs, 2 SSPs, 1 I2C, 3 timers 1 PWM timer, 38 I/Os 13 Wake-up lines, 11 A/D Channels | | | 3 UARTs, 2 SSPs, 1 I ² C, 3 timers 1 PWM timer, 72 I/Os 15 Wake-up lines, 16 A/D Channels | |
| USB/CAN peripherals | None | USB | CAN | None | USB+CAN |
| Operating Voltage | 3.3V or 5V | 3.3V | 3.3V or 5V | | |
| Packages (x) | T=LQFP64 10x10, H=LFBGA64 | | | T=LQFP100 14x14, H=LFBGA100 | |



3 Introduction

This Datasheet contains the description of the STR750F family features, pinout, Electrical Characteristics, Mechanical Data and Ordering information.

For complete information on the Microcontroller memory, registers and peripherals. Please refer to the STR750F Reference Manual.

For information on the ARM7TDMI-S core please refer to the ARM7TDMI-S Technical Reference Manual available from Arm Ltd.

For information on programming, erasing and protection of the internal Flash memory please refer to the STR7 Flash Programming Reference Manual

For information on third-party development tools, please refer to the <http://www.st.com/mcu> website.

3.1 Functional description

The STR750F family includes devices in 2 package sizes: 64-pin and 100-pin. Both types have the following common features:

ARM7TDMI-S™ core with embedded Flash & RAM

STR750F family has an embedded ARM core and is therefore compatible with all ARM tools and software. It combines the high performance ARM7TDMI-S™ CPU with an extensive range of peripheral functions and enhanced I/O capabilities. All devices have on-chip high-speed single voltage FLASH memory and high-speed RAM.

Figure 1 shows the general block diagram of the device family.

Embedded Flash memory

Up to 256 KBytes of embedded Flash is available in Bank 0 for storing programs and data. An additional Bank 1 provides 16 Kbytes of RWW (Read While Write) memory allowing it to be erased/programmed on-the-fly. This partitioning feature is ideal for storing application parameters.

- When configured in burst mode, access to Flash memory is performed at CPU clock speed with 0 wait states for sequential accesses and 1 wait state for random access (maximum 60 MHz).
- When not configured in burst mode, access to Flash memory is performed at CPU clock speed with 0 wait states (maximum 32 MHz)

Embedded SRAM

16 Kbytes of embedded SRAM accessed (read/write) at CPU clock speed with 0 wait states.

Enhanced interrupt controller (EIC)

In addition to the standard ARM interrupt controller, the STR750F embeds a nested interrupt controller able to handle up to 32 vectors and 16 priority levels. This additional hardware block provides flexible interrupt management features with minimal interrupt latency.

Serial memory interface (SMI)

The Serial Memory interface is directly able to access up to 4 serial FLASH devices. It can be used to access data, execute code directly or boot the application from external memory. The memory is addressed as 4 banks of up to 16 Mbytes each.

Clocks and start-up

After RESET or when exiting from Low Power Mode, the CPU is clocked immediately by an internal RC oscillator (FREEOSC) at a frequency centered around 5 MHz, so the application code can start executing without delay. In parallel, the 4/8 MHz Oscillator is enabled and its stabilization time is monitored using a dedicated counter.

An oscillator failure detection is implemented: when the clock disappears on the XT1 pin, the circuit automatically switches to the FREEOSC oscillator and an interrupt is generated.

In Run mode, the AHB and APB clock speeds can be set at a large number of different frequencies thanks to the PLL and various prescalers: up to 60 MHz for AHB and up to 32 MHz for APB when fetching from Flash (64 MHz and 32 MHz when fetching from SRAM).

In SLOW mode, the AHB clock can be significantly decreased to reduce power consumption.

The built-in Clock Controller also provides the 48 MHz USB clock directly without any extra oscillators or PLL. For instance, starting from the 4 MHz crystal source, it is possible to obtain in parallel 60 MHz for the AHB clock, 48 MHz for the USB clock and 30 MHz for the APB peripherals.

Boot modes

At start-up, boot pins are used to select one of five boot options:

- Boot from internal flash
- Boot from external serial Flash memory
- Boot from internal boot loader
- Boot from internal SRAM

Booting from SMI memory allows booting from a serial flash. This way, a specific boot monitor can be implemented. Alternatively, the STR750F can boot from the internal boot loader that implements a boot from UART.

Power supply schemes

You can connect the device in any of the following ways depending on your application.

- **Power Scheme 1: Single external 3.3V power source.** In this configuration the V_{CORE} supply required for the internal logic is generated internally by the main voltage regulator and the V_{BACKUP} supply is generated internally by the low power voltage regulator. This scheme has the advantage of requiring only one 3.3V power source.
- **Power Scheme 2: Dual external 3.3V and 1.8V power sources.** In this configuration, the internal voltage regulators are switched off by forcing the VREG_DIS pin to high level. V_{CORE} is provided externally through the V_{18} and V_{18REG} power pins and V_{BACKUP} through the V_{18_BKP} pin. This scheme is intended to save power consumption for applications which already provide an 1.8V power supply.
- **Power Scheme 3: Single external 5.0V power source.** In this configuration the V_{CORE} supply required for the internal logic is generated internally by the main voltage

regulator and the V_{BACKUP} supply is generated internally by the low power voltage regulator. This scheme has the advantage of requiring only one 5.0V power source.

- **Power Scheme 4: Dual external 5.0V and 1.8V power sources.** In this configuration, the internal voltage regulators are switched off, by forcing the VREG_DIS pin to high level. V_{CORE} is provided externally through the V_{18} and $V_{18\text{REG}}$ power pins and V_{BACKUP} through the V_{18_BKP} pin. This scheme is intended to provide 5V I/O capability.

Caution: When powered by 5.0V, the USB peripheral cannot operate.

Low power modes

The STR750F supports 5 low power modes, SLOW, PCG, WFI, STOP and STANDBY.

- **SLOW MODE:** the system clock speed is reduced. Alternatively, the PLL and the main oscillator can be stopped and the device is driven by a low power clock (f_{RTC}). The clock is either an external 32.768 kHz oscillator or the internal low power RC oscillator.
- **PCG MODE (Peripheral Clock Gating MODE):** When the peripherals are not used, their APB clocks are gated to optimize the power consumption.
- **WFI MODE (Wait For Interrupts):** only the CPU clock is stopped, all peripherals continue to work and can wake-up the CPU when IRQs occur.
- **STOP MODE:** all clocks/peripherals are disabled. It is also possible to disable the oscillators and the Main Voltage Regulator (In this case the V_{CORE} is entirely powered by V_{18_BKP}). This mode is intended to achieve the lowest power consumption with SRAM and registers contents retained. The system can be woken up by any of the external interrupts / wake-up lines or by the RTC timer which can optionally be kept running. The RTC can be clocked either by the 32.768 kHz Crystal or the Low Power RC Oscillator.
Alternatively, STOP mode gives flexibility to keep the either main oscillator, or the Flash or the Main Voltage Regulator enabled when a fast start after wake-up is preferred (at the cost of some extra power consumption).
- **STANDBY MODE:** This mode (only available in single supply power schemes) is intended to achieve the lowest power consumption even when the temperature is increasing. The digital power supply (V_{CORE}) is completely removed (no leakage even at high ambient temperature). SRAM and all register contents are lost. Only the RTC remains powered by V_{18_BKP} . The STR750F can be switched back from STANDBY to RUN mode by a trigger event on the WKP_STDBY pin or an alarm timeout on the RTC counter.

Caution: It is important to bear in mind that it is forbidden to remove power from the $V_{\text{DD_IO}}$ power supply in any of the Low Power Modes (even in STANDBY MODE).

DMA

The flexible 4-channel general-purpose DMA is able to manage memory to memory, peripheral to memory and memory to peripheral transfers. The DMA controller supports circular buffer management avoiding the generation of interrupts when the controller reaches the end of the buffer.

The DMA can be used with the main peripherals: UART0, SSP0, Motor control PWM timer (PWM), standard timer TIM0 and ADC.

RTC (real-time clock)

The real-time clock provides a set of continuously running counters which can be used with suitable software to provide a clock calendar function, and provides an alarm interrupt and a

periodic interrupt. It is clocked by an external 32.768 kHz oscillator or the internal low power RC oscillator. The RC has a typical frequency of 300 kHz and can be calibrated.

WDG (watchdog timer)

The watchdog timer is based on a 16-bit downcounter and 8-bit prescaler. It can be used as watchdog to reset the device when a problem occurs, or as free running timer for application time out management.

Timebase timer (TB)

The timebase timer is based on a 16-bit auto-reload counter and not connected to the I/O pins. It can be used for software triggering, or to implement the scheduler of a real-time operating system.

Synchronizable standard timers (TIM2:0)

The three standard timers are based on a 16-bit auto-reload counter and feature up to 2 input captures and 2 output compares (for external triggering or time base / time out management). They can work together with the PWM timer via the Timer Link feature for synchronization or event chaining. In reset state, timer Alternate Function I/Os are connected to the same I/O ports in both 64-pin and 100-pin devices. To optimize timer functions in 64-pin devices, timer Alternate Function I/Os can be connected, or “remapped”, to other I/O ports as summarized in [Table 3](#) and detailed in [Table 6](#). This remapping is done by the application via a control register.

Table 3. Standard timer alternate function I/Os

| Standard timer functions | | Number of alternate function I/Os | | |
|--------------------------|--------------------|-----------------------------------|-----------------|----------|
| | | 100-pin package | 64-pin package | |
| | | | Default mapping | Remapped |
| TIM 0 | Input Capture | 2 | 1 | 2 |
| | Output Compare/PWM | 2 | 1 | 2 |
| TIM 1 | Input Capture | 2 | 1 | 1 |
| | Output Compare/PWM | 2 | 1 | 1 |
| TIM 2 | Input Capture | 2 | 2 | 2 |
| | Output Compare/PWM | 2 | 1 | 2 |

Any of the standard timers can be used to generate PWM outputs. One timer (TIM0) is mapped to a DMA channel.

Motor control PWM timer (PWM)

The Motor Control PWM Timer (PWM) can be seen as a three-phase PWM multiplexed on 6 channels. The 16-bit PWM generator has full modulation capability (0..100%), edge or centre-aligned patterns and supports dead-time insertion. It has many features in common with the standard TIM timers which has the same architecture and it can work together with the TIM timers via the Timer Link feature for synchronization or event chaining. The PWM timer is mapped to a DMA channel.

I²C bus

The I²C bus interface can operate in multi-master and slave mode. It can support standard and fast modes (up to 400KHz).

High speed universal asynch. receiver transmitter (UART)

The three UART interfaces are able to communicate at speeds of up to 2 Mbit/s. They provide hardware management of the CTS and RTS signals and have LIN Master capability.

To optimize the data transfer between the processor and the peripheral, two FIFOs (receive/transmit) of 16 bytes each have been implemented.

One UART can be served by the DMA controller (UART0).

Synchronous serial peripheral (SSP)

The two SSPs are able to communicate up to 8 Mbit/s (SSP1) or up to 16 Mbit/s (SSP0) in standard full duplex 4-pin interface mode as a master device or up to 2.66 Mbit/s as a slave device. To optimize the data transfer between the processor and the peripheral, two FIFOs (receive/transmit) of 8 x 16 bit words have been implemented. The SSPs support the Motorola SPI or TI SSI protocols.

One SSP can be served by the DMA controller (SSP0).

Controller area network (CAN)

The CAN is compliant with the specification 2.0 part B (active) with a bit rate up to 1Mbit/s. It can receive and transmit standard frames with 11-bit identifiers as well as extended frames with 29-bit identifiers. Up to 32 message objects are handled through an internal RAM buffer. In LQFP64 devices, CAN and USB cannot be connected simultaneously.

Universal serial bus (USB)

The STR750F embeds a USB device peripheral compatible with the USB Full speed 12Mbs. The USB interface implements a full speed (12 Mbit/s) function interface. It has software configurable endpoint setting and suspend/resume support. The dedicated 48 MHz clock source is generated from the internal main PLL. V_{DD} must be in the range $3.3V \pm 10\%$ for USB operation.

ADC (analog to digital converter)

The 10-bit Analog to Digital Converter, converts up to 16 external channels (11 channels in 64-pin devices) in single-shot or scan modes. In scan mode, continuous conversion is performed on a selected group of analog inputs. The minimum conversion time is 3.75 μ s (including the sampling time).

The ADC can be served by the DMA controller.

An analog watchdog feature allows you to very precisely monitor the converted voltage of up to four channels. An IRQ is generated when the converted voltage is outside the programmed thresholds.

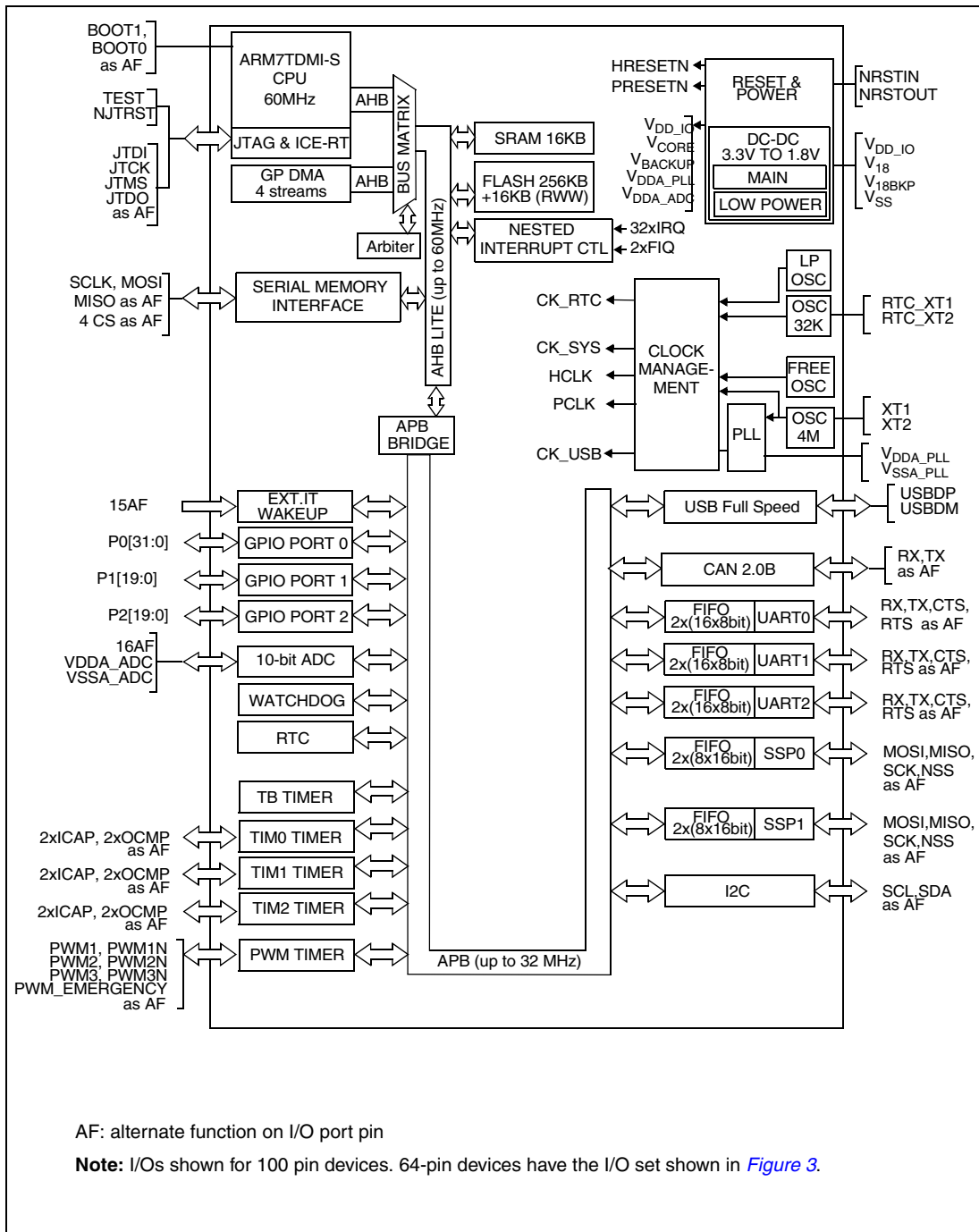
The events generated by TIM0, TIM2 and PWM timers can be internally connected to the ADC start trigger, injection trigger, and DMA trigger respectively, to allow the application to synchronize A/D conversion and timers.

GPIOs (general purpose input/output)

Each of the 72 GPIO pins (38 GPIOs in 64-pin devices) can be configured by software as output (push-pull or open-drain), as input (with or without pull-up or pull-down) or as Peripheral Alternate Function. Port 1.15 is an exception, it can be used as general-purpose input only or wake-up from STANDBY mode (WKP_STDBY). Most of the GPIO pins are shared with digital or analog alternate functions.

3.2 Block diagram

Figure 1. STR750 block diagram



4 Pin description

Figure 2. LQFP100 pinout

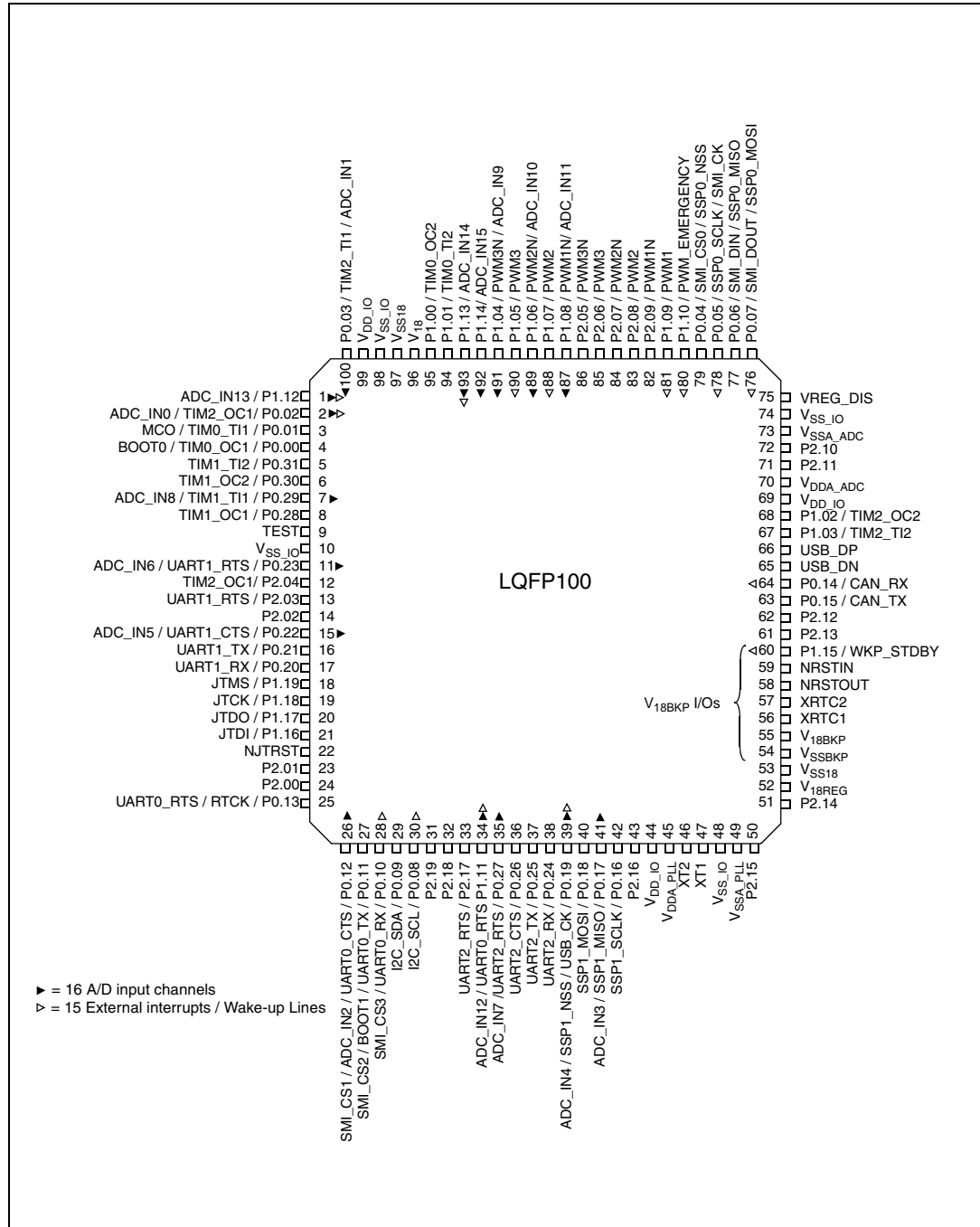


Figure 3. LQFP64 pinout

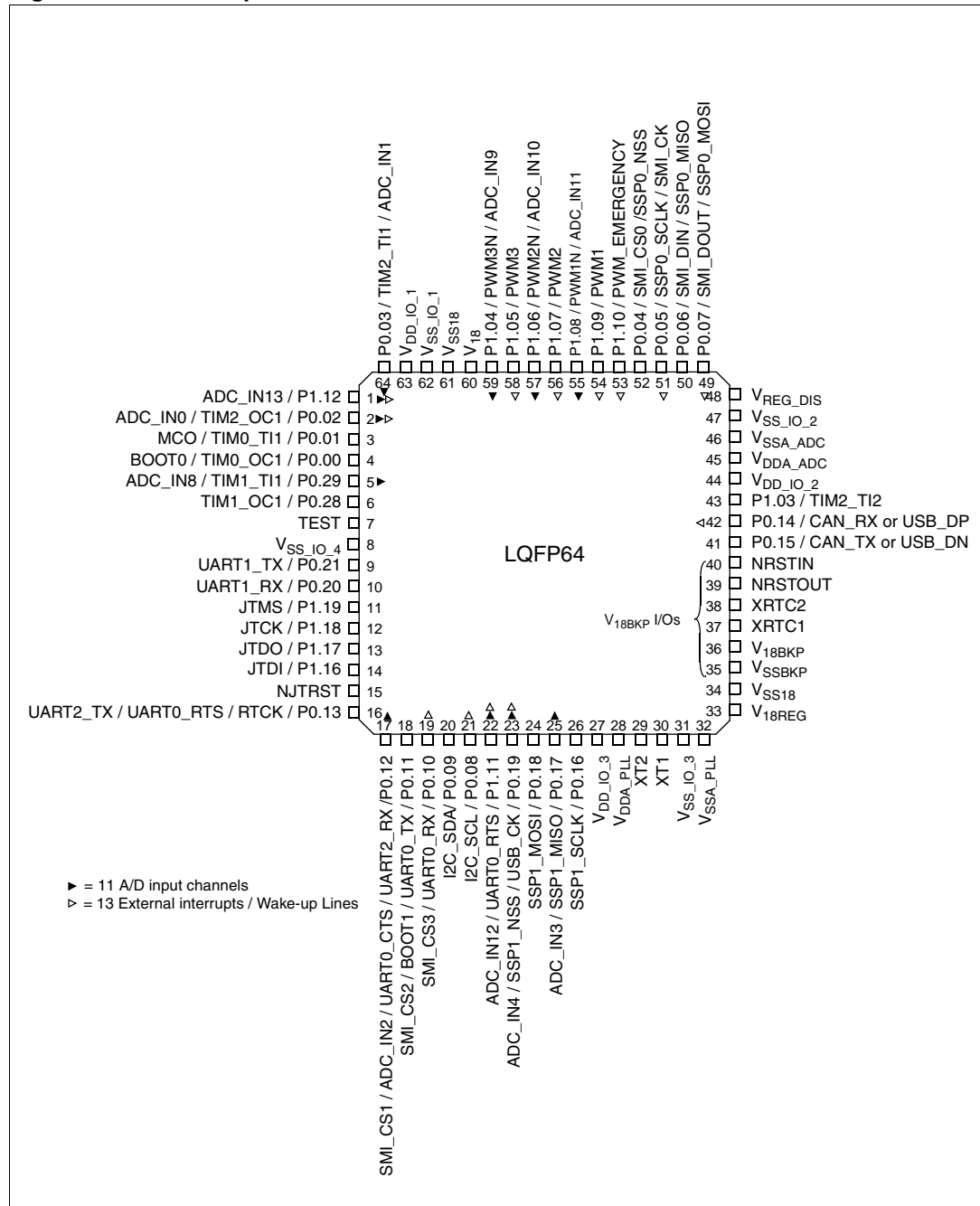


Table 4. LFBGA100 ball connections

| | 1 | 2 | 3 | 4 | 5 | 6 | 7 | 8 | 9 | 10 |
|----------|--------|-------|--------------------|--------------------|-------|-------|--------------------|----------------------|----------------------|----------------------|
| A | P0.03 | P1.13 | P1.14 | P1.04 | P1.06 | P1.08 | P0.05 | P0.06 | P0.07 | P1.02 |
| B | P1.12 | P0.02 | P0.01 | P1.05 | P1.07 | P1.09 | P0.04 | P2.13 | P1.03 | P2.10 |
| C | P0.31 | P0.00 | V _{DD_IO} | V ₁₈ | P1.10 | P2.09 | V _{SS_IO} | V _{SSA_ADC} | P2.11 | USB_DP |
| D | P0.29 | P0.30 | V _{SS_IO} | V _{SS18} | P1.01 | P1.15 | V _{DD_IO} | V _{DDA_ADC} | P2.12 | USB_DN |
| E | P0.28 | P0.23 | P0.22 | V _{SS_IO} | TEST | P1.00 | NRSTOUT | VREG_DIS | NRSTIN | P0.14 |
| F | P2.03 | P0.21 | P0.20 | P2.02 | P2.04 | P2.05 | P2.06 | V _{SS18} | V _{SSBKP} | P0.15 |
| G | NJTRST | P1.18 | P1.19 | P2.01 | P2.00 | P2.07 | 2.08 | V _{18REG} | V _{18BKP} | XRTC2 |
| H | P0.13 | P1.16 | P1.17 | P2.19 | P2.18 | P2.17 | P0.24 | P2.14 | P2.16 | XRTC1 |
| J | P0.11 | P0.12 | P1.11 | P0.27 | P0.19 | P0.26 | P0.25 | P2.15 | V _{DD_IO} | V _{SS_IO} |
| K | P0.10 | P0.09 | P0.08 | P0.18 | P0.17 | P0.16 | XT1 | XT2 | V _{DDA_PLL} | V _{SSA_PLL} |

Table 5. LFBGA64 ball connections

| | 1 | 2 | 3 | 4 | 5 | 6 | 7 | 8 |
|----------|-------|--------------------|-------|--------------------|--------------------|----------------------|----------------------|----------------------|
| A | P0.03 | V _{SS_IO} | P1.04 | P1.06 | P1.08 | P0.05 | P0.06 | P0.07 |
| B | P1.12 | V _{DD_IO} | P1.05 | P1.07 | P1.09 | P0.04 | P1.10 | P1.03 |
| C | P0.01 | P0.02 | P0.00 | V ₁₈ | V _{SS18} | V _{DD_IO} | V _{SS_IO} | P0.14 |
| D | P0.29 | P0.28 | TEST | V _{SS_IO} | VREG_DIS | V _{DDA_ADC} | V _{SSA_ADC} | P0.15 |
| E | P1.18 | P1.19 | P0.20 | P0.21 | NRSTOUT | NRSTIN | V _{18BKP} | XRTC2 |
| F | P0.13 | NJTRST | P1.16 | P1.17 | V _{18REG} | V _{SS18} | V _{SSBKP} | XRTC1 |
| G | P0.11 | P0.12 | P1.11 | P0.19 | V _{DD_IO} | V _{SS_IO} | V _{DDA_PLL} | V _{SSA_PLL} |
| H | P0.10 | P0.09 | P0.08 | P0.17 | P0.18 | P0.16 | XT2 | XT1 |

4.1 Pin description table

Legend / abbreviations for [Table 6](#):

| | |
|---|--|
| Type: | I = input, O = output, S = supply, |
| Input levels: | All Inputs are LVTTTL at $V_{DD_IO} = 3.3V \pm 0.3V$ or TTL at $V_{DD_IO} = 5V \pm 0.5V$. In both cases, T_T means $V_{ILmax} = 0.8V$ $V_{IHmin} = 2.0V$ |
| Inputs: | All inputs can be configured as floating or with internal weak pull-up or pull down (pu/pd) |
| Outputs: | All Outputs can be configured as Open Drain (OD) or Push-Pull (PP) (see also note 6 below Table 6). There are 3 different types of Output with different drives and speed characteristics: <ul style="list-style-type: none"> – O8: $f_{max} = 40$ MHz on $C_L = 50pF$ and 8 mA static drive capability for $V_{OL} = 0.4V$ and up to 20 mA for $V_{OL} = 1.3V$ (see Output driving current on page 55) – O4: $f_{max} = 20$ MHz on $C_L = 50pF$ and 4 mA static drive capability for $V_{OL} = 0.4V$ (see Output driving current on page 55) – O2: $f_{max} = 10$ MHz on $C_L = 50pF$ and 2 mA static drive capability of for $V_{OL} = 0.4V$ (see Output driving current on page 55) |
| External interrupts/wake-up lines: | EITx |

Port reset state

The reset state of the I/O ports is GPIO input floating. Exceptions are P1[19:16] and P0.13 which are configured as JTAG alternate functions:

- The JTAG inputs (JTDI, JTMS and JTDI) are configured as input floating and are ready to accept JTAG sequences.
- The JTAG output JTDO is configured as floating when idle (no JTAG operation) and is configured in output push-pull only when serial JTAG data must be output.
- The JTAG output RTCK is always configured as output push-pull. It outputs '0' level during the reset phase and then outputs the JTCK input signal resynchronized 3 times by the internal AHB clock.
- The GPIO_PCx registers do not control JTAG AF selection, so the reset values of GPIO_PCx for P1[19:16] and P0.13 are the same as other ports. Refer to the GPIO section of the STR750 Reference Manual for the register description and reset values.
- P0.11 and P0.00 are sampled by the boot logic after reset, prior to fetching the first word of user code at address 0000 0000h.
- When booting from SMI (and only in this case), the reset state of the following GPIOs is "SMI alternate function output enabled":
 - P0.07 (SMI_DOUT)
 - P0.05 (SMI_CLK)
 - P0.04 (SMI_CS0)
 - P0.06 (SMI_DIN)

Note that the other SMI pins: SMI_CS1,2,3 (P0.12, P0.11, P0.10) are not affected.

To avoid excess power consumption, unused I/O ports must be tied to ground.

Table 6. STR750F pin description

| Pin n° | | | | Pin name | Type | Input | | | | Output | | | Usable in Standby | Main function (after reset) | Alternate function | |
|------------------------|-------------------------|-----------------------|------------------------|----------------------------|------|----------------|----------|-------|-------------------|------------|-------------------|----|-------------------|---|--|---------------------|
| LQFP100 ⁽¹⁾ | LFPGA100 ⁽¹⁾ | LQFP64 ⁽²⁾ | LFPGA64 ⁽²⁾ | | | Input Level | floating | pu/pd | Ext. int /Wake-up | Capability | OD ⁽³⁾ | PP | | | | |
| 1 | B1 | 1 | B1 | P1.12 / ADC_IN13 | I/O | T _T | X | X | EIT12 | O8 | X | X | | Port 1.12 | ADC: Analog input 13 | |
| 2 | B2 | 2 | C2 | P0.02 / TIM2_OC1 / ADC_IN0 | I/O | T _T | X | X | EIT0 | O8 | X | X | | Port 0.02 | TIM2: Output Compare 1 ⁽⁴⁾ | ADC: Analog input 0 |
| 3 | B3 | 3 | C1 | P0.01 / TIM0_T1 / MCO | I/O | T _T | X | X | | O8 | X | X | | Port 0.01 | TIM0: Input Capture / trigger / external clock 1 | Main Clock Output |
| 4 | C2 | 4 | C3 | P0.00 / TIM0_OC1 / BOOT0 | I/O | T _T | X | X | | O8 | X | X | | Port 0.00 / Boot mode selection input 0 | TIM0: Output Compare 1 | |
| 5 | C1 | | | P0.31 / TIM1_T12 | I/O | T _T | X | X | | O2 | X | X | | Port 0.31 | TIM1: Input Capture / trigger / external clock 2 | |
| 6 | D2 | | | P0.30 / TIM1_OC2 | I/O | T _T | X | X | | O2 | X | X | | Port 0.30 | TIM1: Output Compare 2 | |

Table 6. STR750F pin description (continued)

| Pin n° | | | | Pin name | Type | Input | | | | Output | | | Usable in Standby | Main function (after reset) | Alternate function | |
|------------------------|-------------------------|-----------------------|------------------------|-------------------------------------|------|----------------|----------|-------|-------------------|------------|-------------------|----|-------------------|--|--|--|
| LQFP100 ⁽¹⁾ | LFPGA100 ⁽¹⁾ | LQFP64 ⁽²⁾ | LFPGA64 ⁽²⁾ | | | Input Level | floating | pu/pd | Ext. int /Wake-up | Capability | OD ⁽³⁾ | PP | | | | |
| 7 | D1 | 5 | D1 | P0.29 / TIM1_T1 / ADC_IN8 | I/O | T _T | X | X | | O2 | X | X | | Port 0.29 | TIM1: Input Capture 1 | ADC: Analog input 8 |
| 8 | E1 | 6 | D2 | P0.28 / TIM1_OC1 | I/O | T _T | X | X | | O2 | X | X | | Port 0.28 | TIM1: Output Compare 1 | |
| 9 | E5 | 7 | D3 | TEST | I | | | | | | | | | Reserved, must be tied to ground | | |
| 10 | E4 | 8 | D4 | VSS_IO | S | | | | | | | | | Ground Voltage for digital I/Os | | |
| 11 | E2 | | | P0.23 / UART1_RTS / ADC_IN6 | I/O | T _T | X | X | | O2 | X | X | | Port 0.23 | UART1: Ready To Send output ⁽⁴⁾ | ADC analog input 6 |
| 12 | F5 | | | P2.04 / TIM2_OC1 | I/O | T _T | X | X | | O2 | X | X | | Port 2.04 | TIM2: Output Compare 1 ⁽⁴⁾ | |
| 13 | F1 | | | P2.03 / UART1_RTS | I/O | T _T | X | X | | O2 | X | X | | Port 2.03 | UART1: Ready To Send output ⁽⁴⁾ | |
| 14 | F4 | | | P2.02 | I/O | T _T | X | X | | O2 | X | X | | Port 2.02 | | |
| 15 | E3 | | | P0.22 / UART1_CTS / ADC_IN5 | I/O | T _T | X | X | | O2 | X | X | | Port 0.22 | UART1: Clear To Send input | ADC: Analog input 5 |
| 16 | F2 | 9 | E4 | P0.21 / UART1_TX | I/O | T _T | X | X | | O2 | X | X | | Port 0.21 | UART1: Transmit data output (remappable to P0.15) ⁽⁴⁾ | |
| 17 | F3 | 10 | E3 | P0.20 / UART1_RX | I/O | T _T | X | X | | O2 | X | X | | Port 0.20 | UART1: Receive data input (remappable to P0.14) ⁽⁴⁾ | |
| 18 | G3 | 11 | E2 | P1.19 / JTMS | I/O | T _T | X | X | | O2 | X | X | | JTAG mode selection input ⁽⁶⁾ | Port 1.19 | |
| 19 | G2 | 12 | E1 | P1.18 / JTCK | I/O | T _T | X | X | | O2 | X | X | | JTAG clock input ⁽⁶⁾ | Port 1.18 | |
| 20 | H3 | 13 | F4 | P1.17 / JTDO | I/O | T _T | X | X | | O8 | X | X | | JTAG data output ⁽⁶⁾ | Port 1.17 | |
| 21 | H2 | 14 | F3 | P1.16 / JTDI | I/O | T _T | X | X | | O2 | X | X | | JTAG data input ⁽⁶⁾ | Port 1.16 | |
| 22 | G1 | 15 | F2 | NJTRST | I | T _T | | | | | | | | JTAG reset input ⁽⁵⁾ | | |
| 23 | G4 | | | P2.01 | I/O | T _T | X | X | | O2 | X | X | | Port 2.01 | | |
| 24 | G5 | | | P2.00 | I/O | T _T | X | X | | O2 | X | X | | Port 2.00 | | |
| 25 | H1 | 16 | F1 | P0.13 / RTCK / UART0_RTS / UART2_TX | I/O | T _T | X | X | | O8 | X | X | | JTAG return clock output ⁽⁶⁾ | Port 0.13 | |
| | | | | | | | | | | | | | | | UART0: Ready To Send output ⁽⁴⁾ | UART2: Transmit Data output (when remapped) ⁽⁸⁾ |

Table 6. STR750F pin description (continued)

| Pin n° | | | | Pin name | Type | Input | | | | Output | | | Usable in Standby | Main function (after reset) | Alternate function | |
|------------------------|-------------------------|-----------------------|------------------------|--|------|----------------|----------|-------|-------------------|------------|-------------------|----|-------------------|---------------------------------------|---|---|
| LQFP100 ⁽¹⁾ | LFPGA100 ⁽¹⁾ | LQFP64 ⁽²⁾ | LFPGA64 ⁽²⁾ | | | Input Level | floating | pu/pd | Ext. int /Wake-up | Capability | OD ⁽³⁾ | PP | | | | |
| 26 | J2 | 17 | G2 | P0.12 / UART2_RX / UART0_CTS / ADC_IN2 / SMI_CS1 | I/O | T _T | X | X | | O4 | X | X | | Port 0.12 | UART0: Clear To Send input | ADC: Analog input 2 |
| | | | | | | | | | | | | | | | | Serial Memory Interface: chip select output 1 |
| 27 | J1 | 18 | G1 | P0.11 / UART0_TX / BOOT1 / SMI_CS2 | I/O | T _T | X | X | | O4 | X | X | | Port 0.11/Boot mode selection input 1 | UART0: Transmit data output | Serial Memory Interface: chip select output 2 |
| 28 | K1 | 19 | H1 | P0.10 / UART0_RX / SMI_CS3 | I/O | T _T | X | X | EIT4 | O2 | X | X | | Port 0.10 | UART0: Receive Data input | Serial Memory Interface: chip select output 3 |
| 29 | K2 | 20 | H2 | P0.09 / I2C_SDA | I/O | T _T | X | X | | O4 | X | X | | Port 0.09 | I2C: Serial Data | |
| 30 | K3 | 21 | H3 | P0.08 / I2C_SCL | I/O | T _T | X | X | EIT3 | O4 | X | X | | Port 0.08 | I2C: Serial clock | |
| 31 | H4 | | | P2.19 | I/O | T _T | X | X | | O2 | X | X | | Port 2.19 | | |
| 32 | H5 | | | P2.18 | I/O | T _T | X | X | | O2 | X | X | | Port 2.18 | | |
| 33 | H6 | | | P2.17 / UART2_RTS | I/O | T _T | X | X | | O2 | X | X | | Port 2.17 | UART2: Ready To Send output ⁽⁴⁾ | |
| 34 | J3 | 22 | G3 | P1.11 / UART0_RTS ADC_IN12 | I/O | T _T | X | X | EIT11 | O8 | X | X | | Port 1.11 | UART0: Ready To Send output ⁽⁴⁾ | ADC: Analog input 12 |
| 35 | J4 | | | P0.27 / UART2_RTS / ADC_IN7 | I/O | T _T | X | X | | O2 | X | X | | Port 0.27 | UART2: Ready To Send output ⁽⁸⁾ | ADC: Analog input 7 |
| 36 | J6 | | | P0.26 / UART2_CTS | I/O | T _T | X | X | | O2 | X | X | | Port 0.26 | UART2: Clear To Send input | |
| 37 | J7 | | | P0.25 / UART2_TX | I/O | T _T | X | X | | O2 | X | X | | Port 0.25 | UART2: Transmit data output (remappable to P0.13) ⁽⁸⁾ | |
| 38 | H7 | | | P0.24 / UART2_RX | I/O | T _T | X | X | | O2 | X | X | | Port 0.24 | UART2: Receive data input (remappable to P0.12) ⁽⁸⁾ | |
| 39 | J5 | 23 | G4 | P0.19 / USB_CK / SSP1_NSS / ADC_IN4 | I/O | T _T | X | X | EIT6 | O2 | X | X | | Port 0.19 | SSP1: Slave select input (remappable to P0.11) ⁽⁸⁾ | ADC: Analog input 4 |
| | | | | | | | | | | | | | | | | USB: 48 MHz Clock input |
| 40 | K4 | 24 | H5 | P0.18 / SSP1_MOSI | I/O | T _T | X | X | | O2 | X | X | | Port 0.18 | SSP1: Master out/slave in data (remappable to P0.10) ⁽⁸⁾ | |
| 41 | K5 | 25 | H4 | P0.17 / SSP1_MISO / ADC_IN3 | I/O | T _T | X | X | | O2 | X | X | | Port 0.17 | SSP1: Master in/slave out data (remappable to P0.09) ⁽⁸⁾ | ADC: Analog input 3 |
| 42 | K6 | 26 | H6 | P0.16 / SSP1_SCLK | I/O | T _T | X | X | | O2 | X | X | | Port 0.16 | SSP1: serial clock (remappable to P0.08) ⁽⁸⁾ | |

Table 6. STR750F pin description (continued)

| Pin n° | | | | Pin name | Type | Input | | | | Output | | | Usable in Standby | Main function (after reset) | Alternate function |
|------------------------|-------------------------|-----------------------|------------------------|-------------------|------|----------------|----------|-------|-------------------|------------|-------------------|----|-------------------|--|---|
| LQFP100 ⁽¹⁾ | LFPGA100 ⁽¹⁾ | LQFP64 ⁽²⁾ | LFPGA64 ⁽²⁾ | | | Input Level | floating | pu/pd | Ext. int /Wake-up | Capability | OD ⁽³⁾ | PP | | | |
| 43 | H9 | | | P2.16 | I/O | T _T | X | X | | O2 | X | X | | Port 2.16 | |
| 44 | J9 | 27 | G5 | VDD_IO | S | | | | | | | | | Supply voltage for digital I/Os | |
| 45 | K9 | 28 | G7 | VDDA_PLL | S | | | | | | | | | Supply voltage for PLL | |
| 46 | K8 | 29 | H7 | XT2 | | | | | | | | | | 4 MHz main oscillator | |
| 47 | K7 | 30 | H8 | XT1 | | | | | | | | | | | |
| 48 | J10 | 31 | G6 | VSS_IO | S | | | | | | | | | Ground voltage for digital I/Os | |
| 49 | K10 | 32 | G8 | VSSA_PLL | S | | | | | | | | | Ground voltage for PLL | |
| 50 | J8 | | | P2.15 | I/O | T _T | X | X | | O2 | X | X | | Port 2.15 | |
| 51 | H8 | | | P2.14 | I/O | T _T | X | X | | O2 | X | X | | Port 2.14 | |
| 52 | G8 | 33 | F5 | V18REG | S | | | | | | | | | Stabilization for main voltage regulator. Requires external capacitors of at least 10µF between V18REG and VSS18. See Figure 4.2 . To be connected to the 1.8V external power supply when embedded regulators are not used, | |
| 53 | F8 | 34 | F6 | VSS18 | S | | | | | | | | | Ground Voltage for the main voltage regulator | |
| 54 | F9 | 35 | F7 | VSSBKP | S | | | | | | | | | Stabilization for low power voltage regulator. | |
| 55 | G9 | 36 | E7 | V18BKP | S | | | | | | | | | Ground Voltage for the low power voltage regulator. Requires external capacitors of at least 1µF between V18BKP and VSSBKP. See Figure 4.2 . To be connected to the 1.8V external power supply when embedded regulators are not used, | |
| 56 | H10 | 37 | F8 | XRTC1 | | | | | | | | | X | 32 kHz oscillator for Realtime Clock | |
| 57 | G10 | 38 | E8 | XRTC2 | | | | | | | | | X | | |
| 58 | E7 | 39 | E5 | NRSTOUT | O | | | | | | | | | X | Reset output |
| 59 | E9 | 40 | E6 | NRSTIN | I | T _T | | | | | | | | X | Reset input |
| 60 | D6 | | | P1.15 / WKP_STDBY | I | T _T | X | | EIT15 | | | | X | Port 1.15 | Wake-up from STANDBY input pin |
| 61 | B8 | | | P2.13 | I/O | T _T | X | X | | O2 | X | X | | Port 2.13 | |
| 62 | D9 | | | P2.12 | I/O | T _T | X | X | | O2 | X | X | | Port 2.12 | |
| 63 | F10 | 41 ⁽⁷⁾ | D8 ⁽⁷⁾ | P0.15 / CAN_TX | I/O | T _T | X | X | | O2 | X | X | | Port 0.15 | CAN: Transmit data output |
| 64 | E10 | 42 ⁽⁷⁾ | C8 ⁽⁷⁾ | P0.14 / CAN_RX | I/O | T _T | X | X | EIT5 | O2 | X | X | | Port 0.14 | CAN: Receive data input |
| 65 | D10 | 41 ⁽⁷⁾ | D8 ⁽⁷⁾ | USB_DN | I/O | | | | | | | | | USB: bidirectional data (data -) | |
| 66 | C10 | 42 ⁽⁷⁾ | C8 ⁽⁷⁾ | USB_DP | I/O | | | | | | | | | USB: bidirectional data (data +) | |
| 67 | B9 | 43 | B8 | P1.03 / TIM2_TI2 | I/O | T _T | X | X | | O2 | X | X | | Port 1.03 | TIM2: Input Capture / trigger / external clock 2 (remappable to P0.07) ⁽⁸⁾ |

Table 6. STR750F pin description (continued)

| Pin n° | | | | Pin name | Type | Input | | | | Output | | | Usable in Standby | Main function (after reset) | Alternate function | |
|------------------------|-------------------------|-----------------------|------------------------|------------------------------|------|----------------|----------|-------|-------------------|------------|-------------------|----|-------------------|----------------------------------|---|--|
| LQFP100 ⁽¹⁾ | LFPGA100 ⁽¹⁾ | LQFP64 ⁽²⁾ | LFPGA64 ⁽²⁾ | | | Input Level | floating | pu/pd | Ext. int /Wake-up | Capability | OD ⁽³⁾ | PP | | | | |
| 68 | A10 | | | P1.02 / TIM2_OC2 | I/O | T _T | X | X | | O2 | X | X | | Port 1.02 | TIM2: Output compare 2 (remappable to P0.06) ⁽⁸⁾ | |
| 69 | D7 | 44 | C6 | VDD_IO | S | | | | | | | | | Supply Voltage for digital I/Os | | |
| 70 | D8 | 45 | D6 | VDDA_ADC | S | | | | | | | | | Supply Voltage for A/D converter | | |
| 71 | C9 | | | P2.11 | I/O | T _T | X | X | | O2 | X | X | | Port 2.11 | | |
| 72 | B10 | | | P2.10 | I/O | T _T | X | X | | O2 | X | X | | Port 2.10 | | |
| 73 | C8 | 46 | D7 | VSSA_ADC | S | | | | | | | | | Ground Voltage for A/D converter | | |
| 74 | C7 | 47 | C7 | VSS_IO | S | | | | | | | | | Ground Voltage for digital I/Os | | |
| 75 | E8 | 48 | D5 | VREG_DIS | I | T _T | | | | | | | | Voltage Regulator Disable input | | |
| 76 | A9 | 49 | A8 | P0.07 / SMI_DOUT / SSP0_MOSI | I/O | T _T | X | X | EIT2 | O4 | X | X | | Port 0.07 | Serial Memory Interface: data output | SSP0: Master out Slave in data |
| 77 | A8 | 50 | A7 | P0.06 / SMI_DIN / SSP0_MISO | I/O | T _T | X | X | | O4 | X | X | | Port 0.06 | Serial Memory Interface: data input | SSP0: Master in Slave out data |
| 78 | A7 | 51 | A6 | P0.05 / SSP0_SCLK / SMI_CK | I/O | T _T | X | X | EIT1 | O4 | X | X | | Port 0.05 | SSP0: Serial clock | Serial Memory Interface: Serial clock output |
| 79 | B7 | 52 | B6 | P0.04 / SMI_CS0 / SSP0_NSS | I/O | T _T | X | X | | O4 | X | X | | Port 0.04 | Serial Memory Interface: chip select output 0 | SSP0: Slave select input |
| 80 | C5 | 53 | B7 | P1.10 PWM_EMERGE NCY | I/O | T _T | X | X | EIT10 | O2 | X | X | | Port 1.10 | PWM: Emergency input | |
| 81 | B6 | 54 | B5 | P1.09 / PWM1 | I/O | T _T | X | X | EIT9 | O4 | X | X | | Port 1.09 | PWM: PWM1 output | |
| 82 | C6 | | | P2.09 / PWM1N | I/O | T _T | X | X | | O2 | X | X | | Port 2.09 | PWM: PWM1 complementary output ⁽⁴⁾ | |
| 83 | G7 | | | P2.08 / PWM2 | I/O | T _T | X | X | | O2 | X | X | | Port 2.08 | PWM: PWM2 output ⁽⁴⁾ | |
| 84 | G6 | | | P2.07 / PWM2N | I/O | T _T | X | X | | O2 | X | X | | Port 2.07 | PWM: PWM2 complementary output ⁽⁴⁾ | |
| 85 | F7 | | | P2.06 / PWM3 | I/O | T _T | X | X | | O2 | X | X | | Port 2.06 | PWM: PWM3 output ⁽⁴⁾ | |
| 86 | F6 | | | P2.05 / PWM3N | I/O | T _T | X | X | | O2 | X | X | | Port 2.05 | PWM: PWM3 complementary output ⁽⁴⁾ | |
| 87 | A6 | 55 | A5 | P1.08 / PWM1N / ADC_IN11 | I/O | T _T | X | X | | O4 | X | X | | Port 1.08 | PWM: PWM1 complementary output ⁽⁸⁾ | ADC: analog input 11 |
| 88 | B5 | 56 | B4 | P1.07 / PWM2 | I/O | T _T | X | X | EIT8 | O4 | X | X | | Port 1.07 | PWM: PWM2 output ⁽⁴⁾ | |
| 89 | A5 | 57 | A4 | P1.06 / PWM2N / ADC_IN10 | I/O | T _T | X | X | | O4 | X | X | | Port 1.06 | PWM: PWM2 complementary output ⁽⁴⁾ | ADC: analog input 10 |
| 90 | B4 | 58 | B3 | P1.05 / PWM3 | I/O | T _T | X | X | EIT7 | O4 | X | X | | Port 1.05 | PWM: PWM3 output ⁽⁴⁾ | |

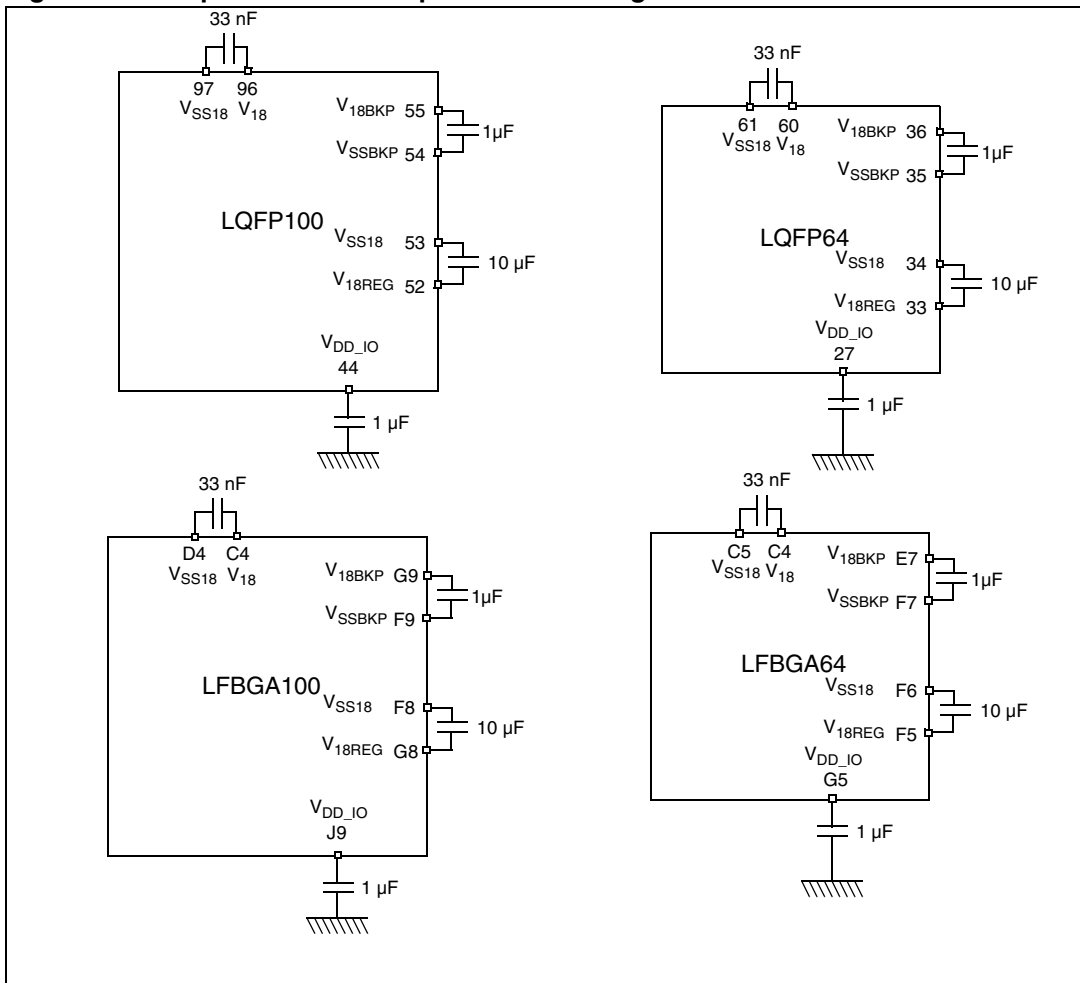
Table 6. STR750F pin description (continued)

| Pin n° | | | | Pin name | Type | Input | | | | Output | | | Usable in Standby | Main function (after reset) | Alternate function | |
|------------------------|-------------------------|-----------------------|------------------------|----------------------------|------|----------------|----------|-------|-------------------|------------|-------------------|----|-------------------|-----------------------------|--|---------------------|
| LQFP100 ⁽¹⁾ | LFBGA100 ⁽¹⁾ | LQFP64 ⁽²⁾ | LFBGA64 ⁽²⁾ | | | Input Level | floating | pu/pd | Ext. int /Wake-up | Capability | OD ⁽³⁾ | PP | | | | |
| 91 | A4 | 59 | A3 | P1.04 / PWM3N / ADC_IN9 | I/O | T _T | X | X | | O4 | X | X | | Port 1.04 | PWM: PWM3 complementary output ⁽⁴⁾ | ADC: analog input 9 |
| 92 | A3 | | | P1.14 / ADC_IN15 | I/O | T _T | X | X | | O8 | X | X | | Port 1.14 | ADC: analog input 15 | |
| 93 | A2 | | | P1.13 / ADC_IN14 | I/O | T _T | X | X | EIT13 | O8 | X | X | | Port 1.13 | ADC: analog input 14 | |
| 94 | D5 | | | P1.01 / TIM0_TI2 | I/O | T _T | X | X | | O2 | X | X | | Port 1.01 | TIM0: Input Capture / trigger / external clock 2 (remappable to P0.05) ⁽⁸⁾ | |
| 95 | E6 | | | P1.00 / TIM0_OC2 | I/O | T _T | X | X | | O2 | X | X | | Port 1.00 | TIM0: Output compare 2 (remappable to P0.04) ⁽⁸⁾ | |
| 96 | C4 | 60 | C4 | V18 | S | | | | | | | | | | Stabilization for main voltage regulator. Requires external capacitors 33nF between V18 and VSS18. See Figure 4.2 . To be connected to the 1.8V external power supply when embedded regulators are not used. | |
| 97 | D4 | 61 | C5 | VSS18 | S | | | | | | | | | | Ground Voltage for the main voltage regulator. | |
| 98 | D3 | 62 | A2 | VSS_IO | S | | | | | | | | | | Ground Voltage for digital I/Os | |
| 99 | C3 | 63 | B2 | VDD_IO | S | | | | | | | | | | Supply Voltage for digital I/Os | |
| 100 | A1 | 64 | A1 | P0.03 / TIM2_TI1 / ADC_IN1 | I/O | T _T | X | X | | O2 | X | X | | Port 0.03 | TIM2: Input Capture / trigger / external clock 1 | ADC: analog input 1 |

- For STR755FVx part numbers, the USB pins must be left unconnected.
- The non available pins on LQFP64 and LFBGA64 packages are internally tied to low level.
- None of the I/Os are True Open Drain: when configured as Open Drain, there is always a protection diode between the I/O pin and VDD_IO.
- In the 100-pin package, this Alternate Function is duplicated on two ports. You can configure one port to use this AF, the other port is then free for general purpose I/O (GPIO), external interrupt/wake-up lines, or analog input (ADC_IN) where these functions are listed in the table.
- It is mandatory that the NJTRST pin is reset to ground during the power-up phase. It is recommended to connect this pin to NRSTOUT pin (if available) or NRSTIN.
- After reset, these pins are enabled as JTAG alternate function see ([Port reset state on page 16](#)). To use these ports as general purpose I/O (GPIO), the DBGOFF control bit in the GPIO_REMAP0R register must be set by software (in this case, debugging these I/Os via JTAG is not possible).
- There are two different TQFP and BGA 64-pin packages: in the first one, pins 41 and 42 are mapped to USB DN/DP while for the second one, they are mapped to P0.15/CAN_TX and P0.14/CAN_RX.
- For details on remapping these alternate functions, refer to the GPIO_REMAP0R register description.

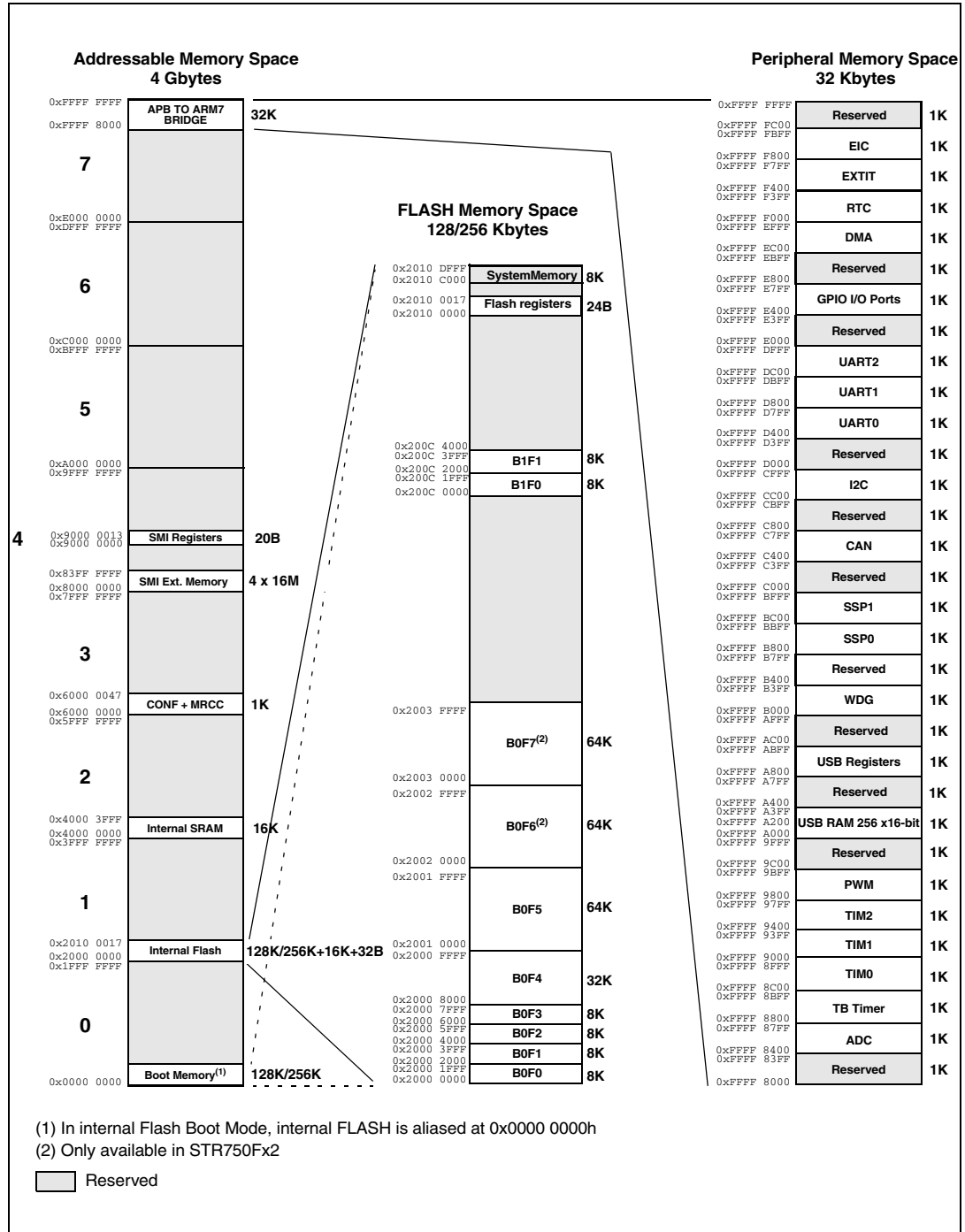
4.2 External components

Figure 4. Required external capacitors when regulators are used



5 Memory map

Figure 5. Memory map



6 Electrical parameters

6.1 Parameter conditions

Unless otherwise specified, all voltages are referred to V_{SS} .

6.1.1 Minimum and maximum values

Unless otherwise specified the minimum and maximum values are guaranteed in the worst conditions of ambient temperature, supply voltage and frequencies by tests in production on 100% of the devices with an ambient temperature at T_A max (given by the selected temperature range).

Data based on product characterisation, design simulation and/or technology characteristics are indicated in the table footnotes and are not tested in production. Based on characterization, the minimum and maximum values refer to sample tests and represent the mean value plus or minus three times the standard deviation ($\text{mean} \pm 3\Sigma$).

6.1.2 Typical values

Unless otherwise specified, typical data are based on $T_A=25^\circ\text{C}$, $V_{DD_IO}=3.3\text{ V}$ (for the $3.0\text{ V} \leq V_{DD_IO} \leq 3.6\text{ V}$ voltage range) and $V_{18}=1.8\text{ V}$. They are given only as design guidelines and are not tested.

Typical ADC accuracy values are determined by characterization of a batch of samples from a standard diffusion lot over the full temperature range, where 95% of the devices have an error less than or equal to the value indicated ($\text{mean} \pm 2\Sigma$).

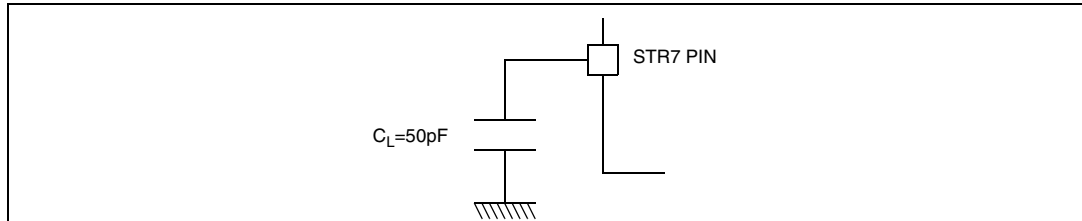
6.1.3 Typical curves

Unless otherwise specified, all typical curves are given only as design guidelines and are not tested.

6.1.4 Loading capacitor

The loading conditions used for pin parameter measurement are shown in [Figure 6](#).

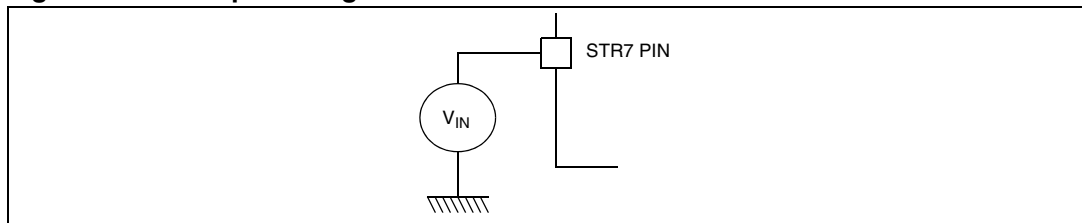
Figure 6. Pin loading conditions



6.1.5 Pin input voltage

The input voltage measurement on a pin of the device is described in [Figure 7](#).

Figure 7. Pin input voltage

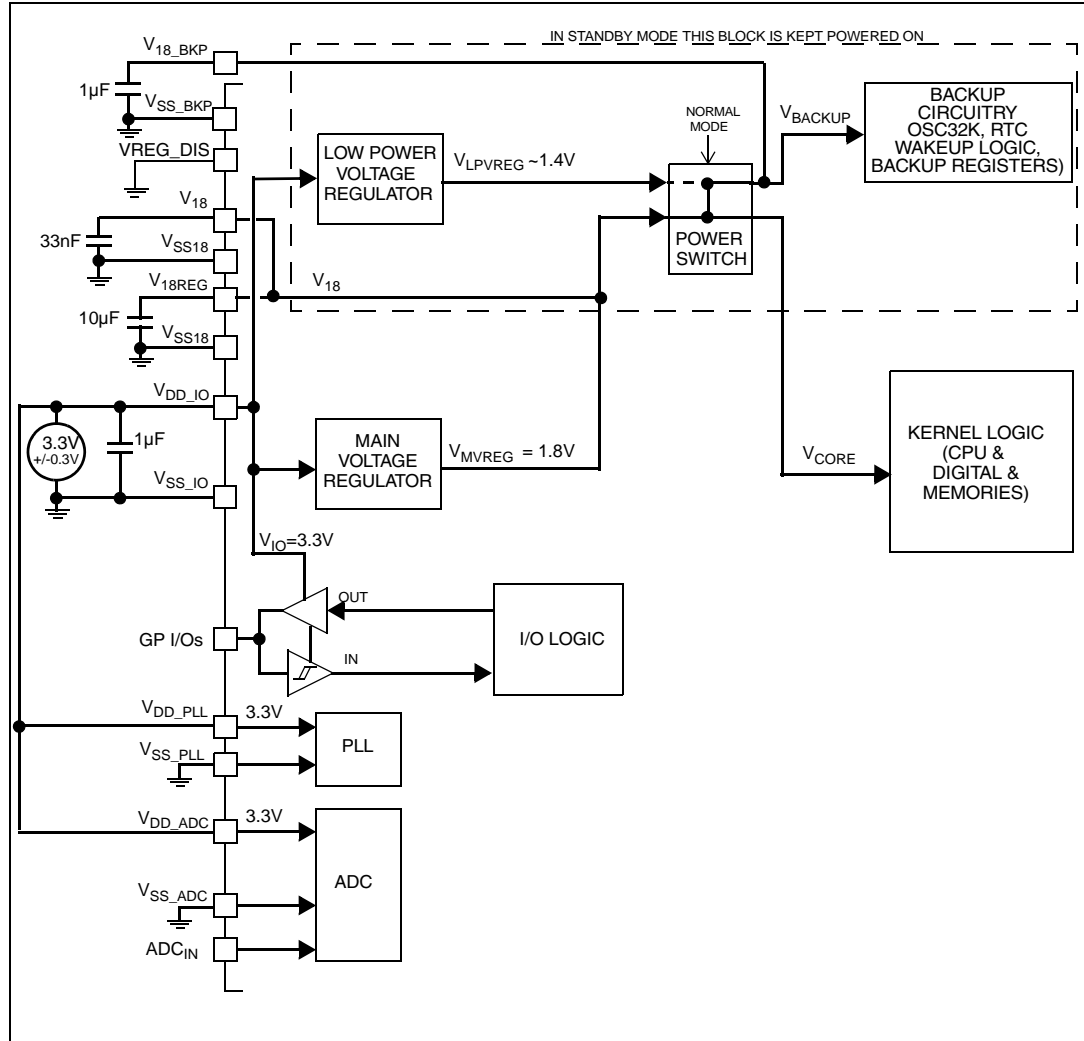


6.1.6 Power supply schemes

When mentioned, some electrical parameters can refer to a dedicated power scheme among the four possibilities. The four different power schemes are described below.

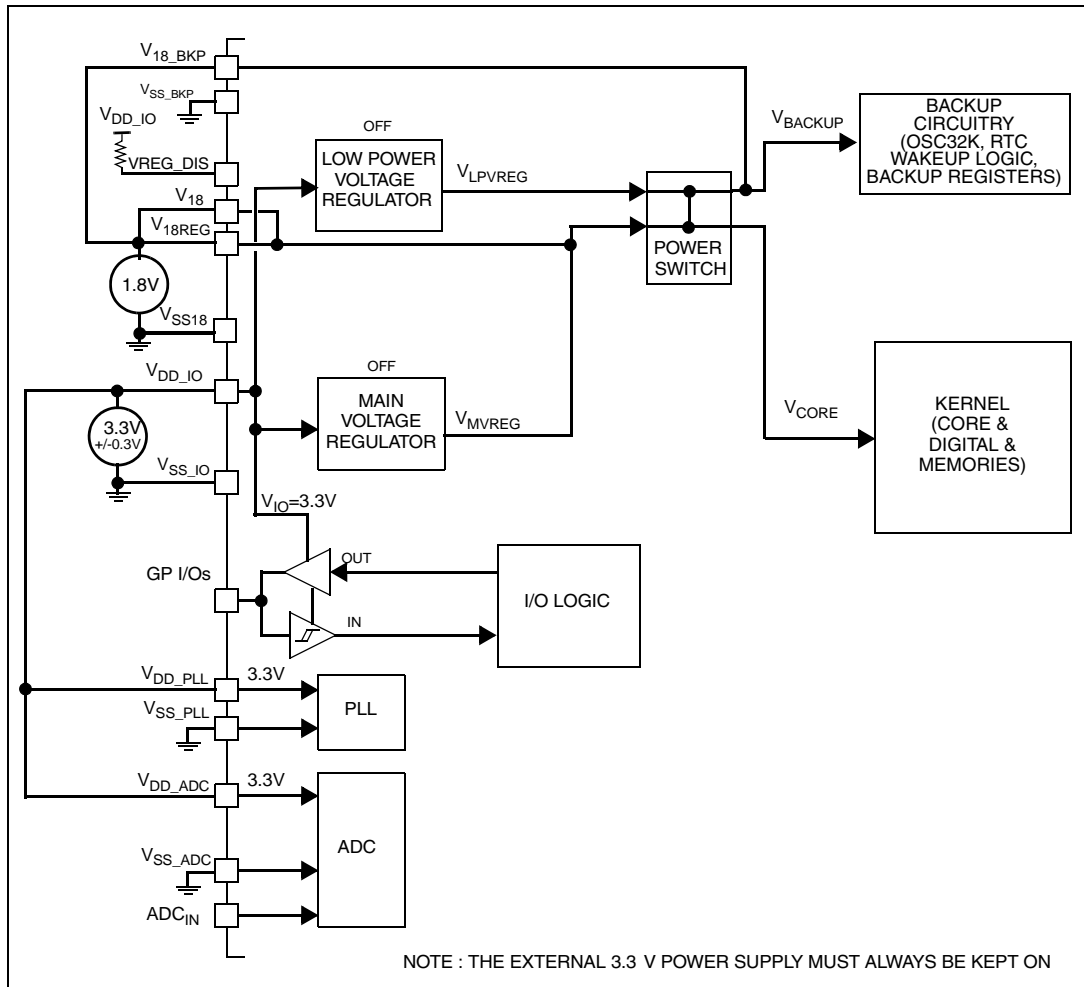
Power supply scheme 1: Single external 3.3 V power source

Figure 8. Power supply scheme 1



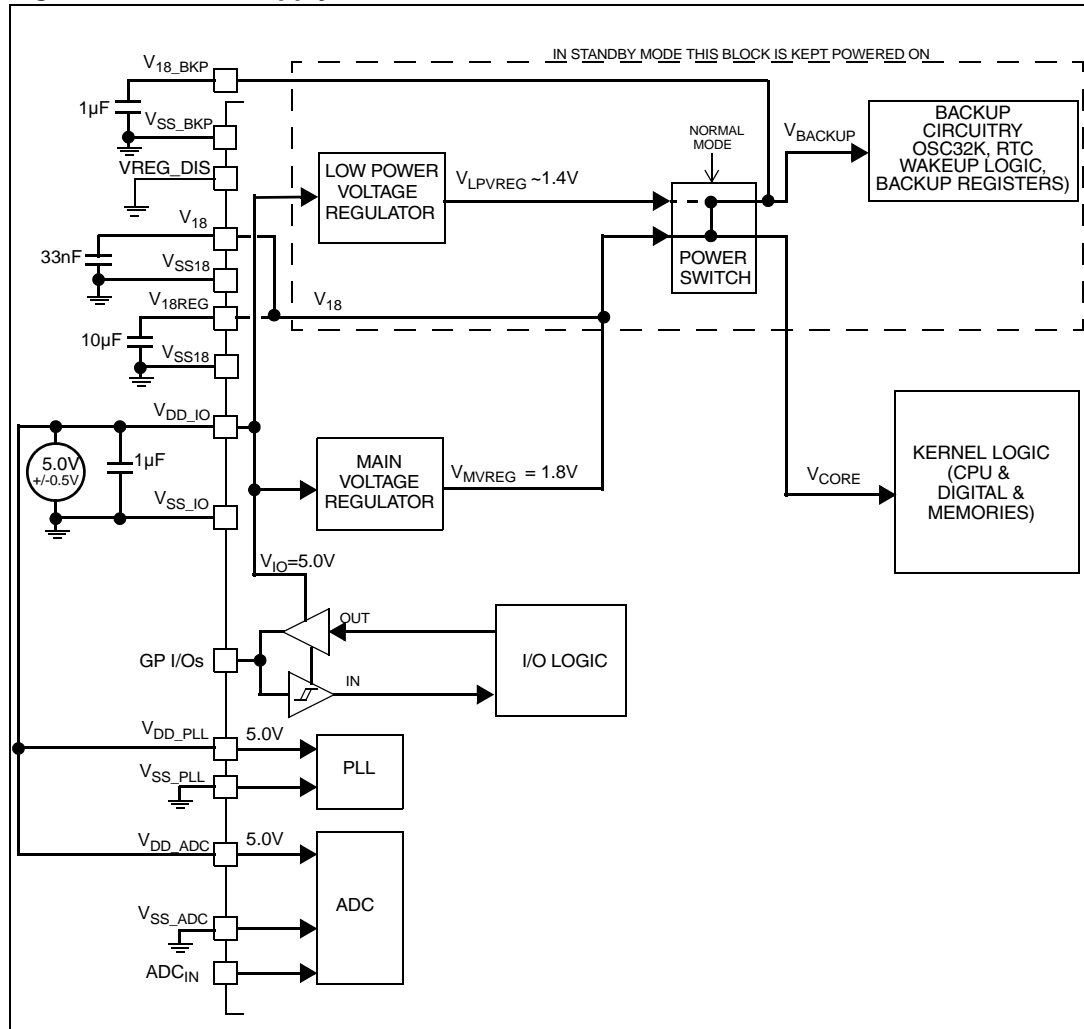
Power supply scheme 2: Dual external 1.8V and 3.3V supply

Figure 9. Power supply scheme 2



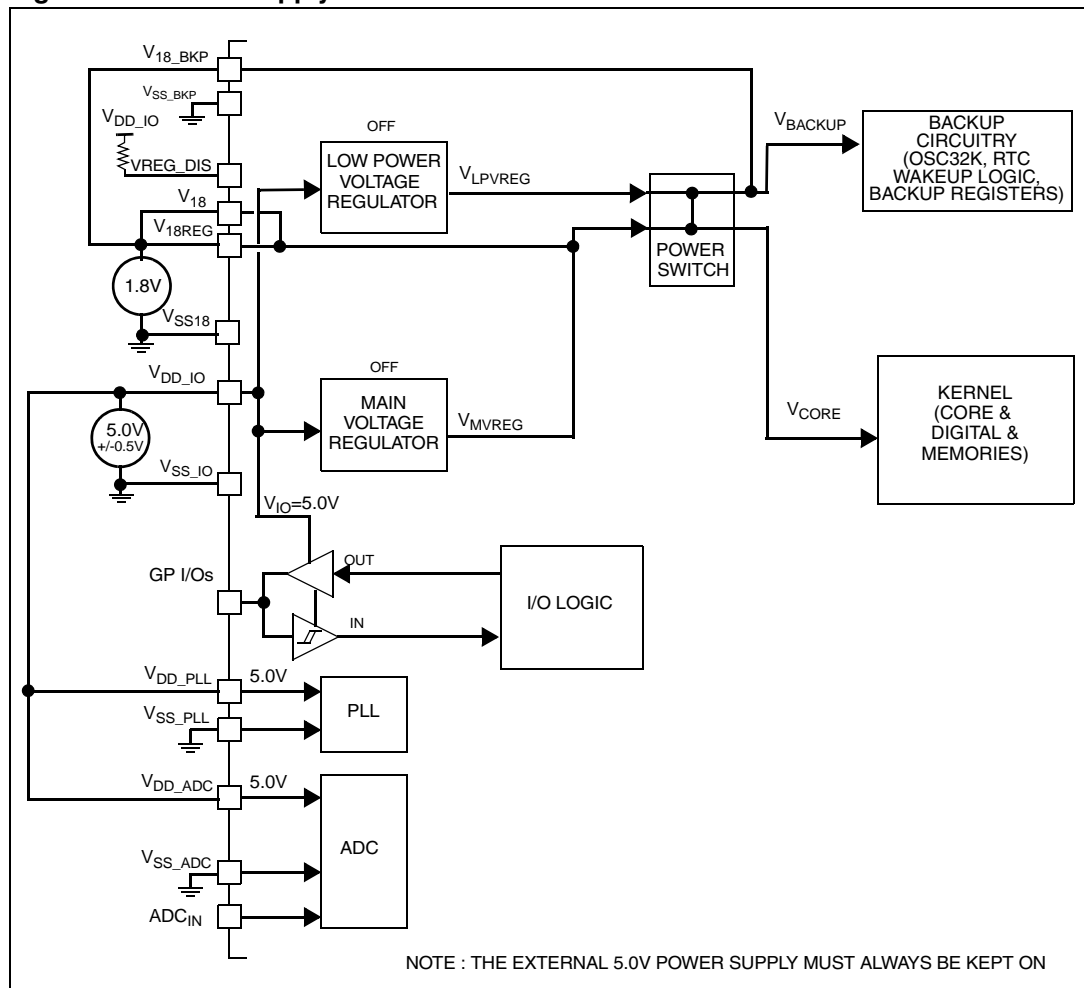
Power supply scheme 3: Single external 5 V power source

Figure 10. Power supply scheme 3



Power supply scheme 4: Dual external 1.8 V and 5.0 V supply

Figure 11. Power supply scheme 4



6.1.7 I/O characteristics versus the various power schemes (3.3V or 5.0V)

Unless otherwise mentioned, all the I/O characteristics are valid for both

- $V_{DD_IO}=3.0\text{ V to }3.6\text{ V}$ with bit EN33=1
- $V_{DD_IO}=4.5\text{ V to }5.5\text{ V}$ with bit EN33=0

When $V_{DD_IO}=3.0\text{ V to }3.6\text{ V}$, I/Os are not 5V tolerant.

6.1.8 Current consumption measurements

All the current consumption measurements mentioned below refer to Power scheme 1 and 2 as described in [Figure 12](#) and [Figure 13](#)

Figure 12. Power consumption measurements in power scheme 1 (regulators enabled)

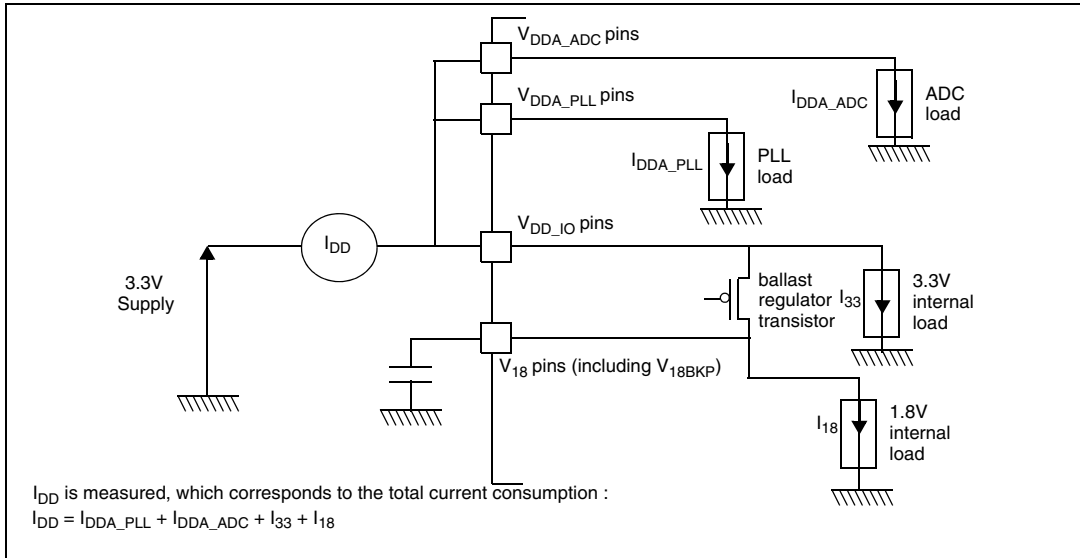


Figure 13. Power consumption measurements in power scheme 2 (regulators disabled)

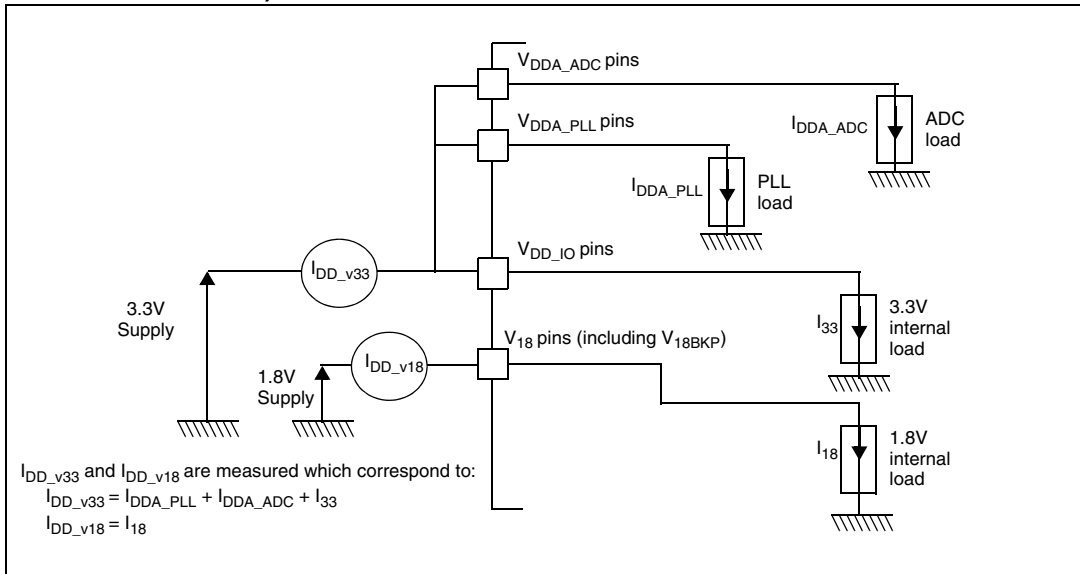


Figure 14. Power consumption measurements in power scheme 3 (regulators enabled)

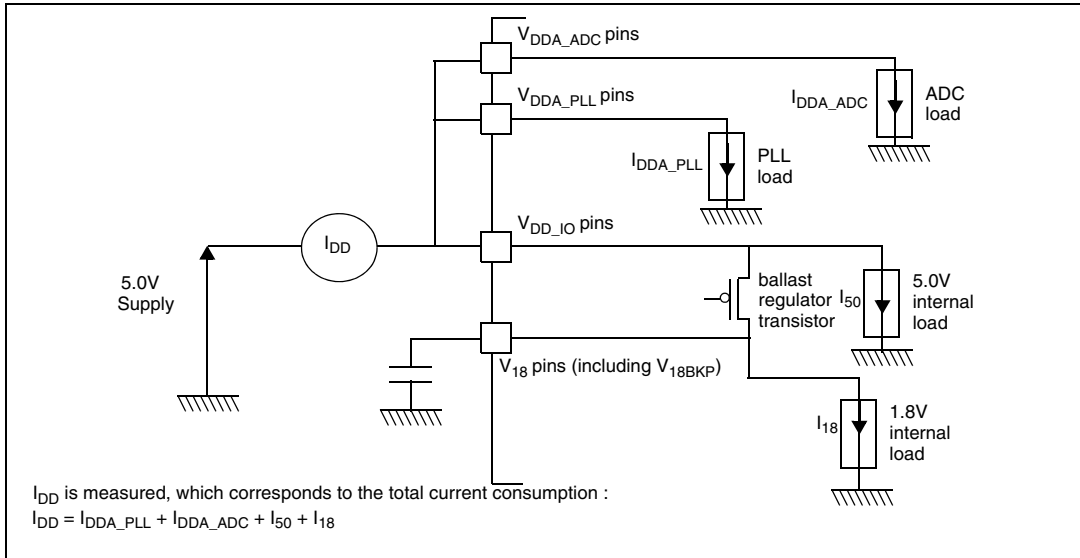
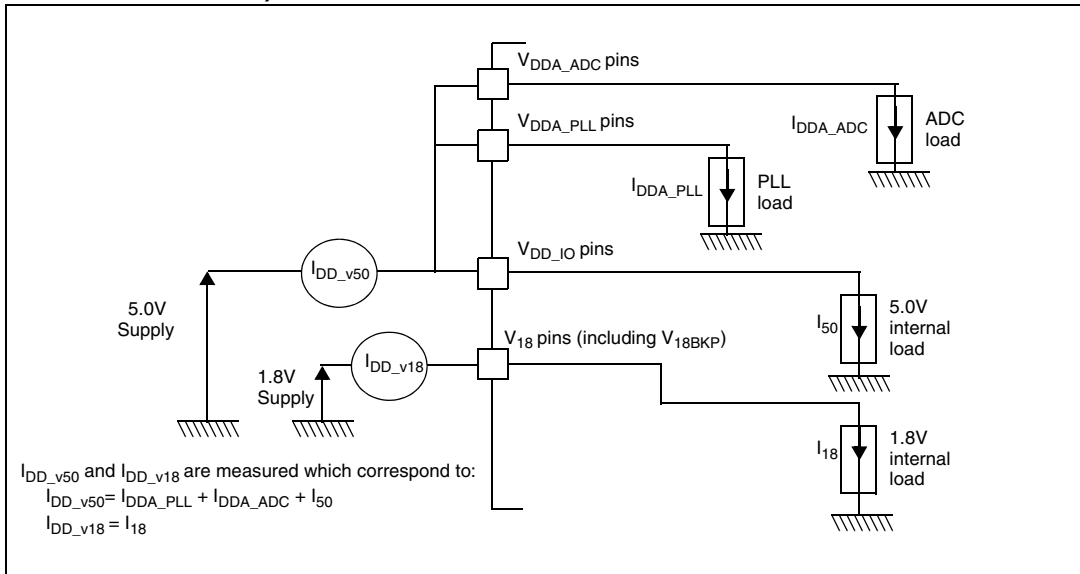


Figure 15. Power consumption measurements in power scheme 4 (regulators disabled)



6.2 Absolute maximum ratings

Stresses above those listed as “absolute maximum ratings” may cause permanent damage to the device. This is a stress rating only and functional operation of the device under these conditions is not implied. Exposure to maximum rating conditions for extended periods may affect device reliability.

6.2.1 Voltage characteristics

Table 7. Voltage characteristics

| Symbol | Ratings | Min | Max | Unit |
|--|---|---|---|------|
| $V_{DD_x} - V_{SS_x}$ ⁽¹⁾ | Including V_{DDA_ADC} and V_{DDA_PLL} | -0.3 | 6.5 | V |
| $V_{18} - V_{SS18}$ | Digital 1.8 V Supply voltage on all V_{18} power pins (when 1.8 V is provided externally) | -0.3 | 2.0 | |
| V_{IN} | Input voltage on any pin ⁽²⁾ | $V_{SS}-0.3$ to $V_{DD_IO}+0.3$ | $V_{SS}-0.3$ to $V_{DD_IO}+0.3$ | |
| $ \Delta V_{DDx} $ | Variations between different 3.3 V or 5.0 V power pins | | 50 | mV |
| $ \Delta V_{18x} $ | Variations between different 1.8 V power pins ⁽³⁾ | | 25 | |
| $ V_{SSx} - V_{SS} $ | Variations between all the different ground pins | | 50 | |
| $V_{ESD(HBM)}$ | Electro-static discharge voltage (Human Body Model) | see : <i>Absolute maximum ratings (electrical sensitivity) on page 52</i> | see : <i>Absolute maximum ratings (electrical sensitivity) on page 52</i> | |
| $V_{ESD(MM)}$ | Electro-static discharge voltage (Machine Model) | | | |

- All 3.3 V or 5.0 V power (V_{DD_IO} , V_{DDA_ADC} , V_{DDA_PLL}) and ground (V_{SS_IO} , V_{SSA_ADC} , V_{DDA_ADC}) pins must always be connected to the external 3.3V or 5.0V supply. When powered by 3.3V, I/Os are not 5V tolerant.
- $I_{INJ(PIN)}$ must never be exceeded. This is implicitly insured if V_{IN} maximum is respected. If V_{IN} maximum cannot be respected, the injection current must be limited externally to the $I_{INJ(PIN)}$ value. A positive injection is induced by $V_{IN} > V_{DD}$ while a negative injection is induced by $V_{IN} < V_{SS}$. For true open-drain pads, there is no positive injection current, and the corresponding V_{IN} maximum must always be respected
- Only when using external 1.8 V power supply. All the power (V_{18} , V_{18REG} , V_{18BKP}) and ground (V_{SS18} , V_{SSBKP}) pins must always be connected to the external 1.8 V supply.

6.2.2 Current characteristics

Table 8. Current characteristics

| Symbol | Ratings | Maximum value | Unit |
|-----------------------------|---|---------------|------|
| $I_{VDD_IO}^{(1)}$ | Total current into V_{DD_IO} power lines (source) ⁽²⁾ | 150 | mA |
| $I_{VSS_IO}^{(1)}$ | Total current out of V_{SS} ground lines (sink) ⁽²⁾ | 150 | |
| I_{IO} | Output current sunk by any I/O and control pin | 25 | |
| | Output current source by any I/Os and control pin | - 25 | |
| $I_{INJ(PIN)}^{(3) \& (4)}$ | Injected current on NRSTIN pin | ± 5 | |
| | Injected current on XT1 and XT2 pins | ± 5 | |
| | Injected current on any other pin ⁽⁵⁾ | ± 5 | |
| $\Sigma I_{INJ(PIN)}^{(3)}$ | Total injected current (sum of all I/O and control pins) ⁽⁵⁾ | ± 25 | |

1. The user can use GPIOs to source or sink high current (up to 20 mA for O8 type High Sink I/Os). In this case, the user must ensure that these absolute max. values are not exceeded (taking into account the RUN power consumption) and must follow the rules described in [Section 6.3.8: I/O port pin characteristics on page 54](#).
2. All 3.3 V or 5.0 V power (V_{DD_IO} , V_{DDA_ADC} , V_{DDA_PLL}) and ground (V_{SS_IO} , V_{SSA_ADC} , V_{DDA_ADC}) pins must always be connected to the external 3.3V or 5.0V supply.
3. $I_{INJ(PIN)}$ must never be exceeded. This is implicitly insured if V_{IN} maximum is respected. If V_{IN} maximum cannot be respected, the injection current must be limited externally to the $I_{INJ(PIN)}$ value. A positive injection is induced by $V_{IN} > V_{DD}$ while a negative injection is induced by $V_{IN} < V_{SS}$. Data based on $T_A = 25^\circ\text{C}$.
4. Negative injection disturbs the analog performance of the device. See note in [Section 6.3.12: 10-bit ADC characteristics on page 72](#).
5. When several inputs are submitted to a current injection, the maximum $\Sigma I_{INJ(PIN)}$ is the absolute sum of the positive and negative injected currents (instantaneous values). These results are based on characterization with $\Sigma I_{INJ(PIN)}$ maximum current injection on four I/O port pins of the device.

6.2.3 Thermal characteristics

Table 9. Thermal characteristics

| Symbol | Ratings | Value | Unit |
|-----------|------------------------------|-------------|------------------|
| T_{STG} | Storage temperature range | -65 to +150 | $^\circ\text{C}$ |
| T_J | Maximum junction temperature | 150 | $^\circ\text{C}$ |

6.3 Operating conditions

6.3.1 General operating conditions

Subject to general operating conditions for V_{DD_IO} , and T_A unless otherwise specified.

Table 10. General operating conditions

| Symbol | Parameter | Conditions | Min | Max | Unit |
|--------------|---|---|------|------|------------------|
| f_{HCLK} | Internal AHB Clock frequency | Accessing SRAM with 0 wait states | 0 | 64 | MHz |
| | | Accessing Flash in burst mode, $T_A \leq 85^\circ \text{C}$ | 0 | 60 | |
| | | Accessing Flash in burst mode $T_A > 85^\circ \text{C}$ | | 56 | |
| | | Accessing Flash with 0 wait states | 0 | 32 | |
| | | Write access to Flash registers ⁽¹⁾ | 0 | 30 | |
| | | Accessing Flash in RWW mode | 0 | 16 | |
| f_{PCLK} | Internal APB Clock frequency | | 0 | 32 | MHz |
| V_{DD_IO} | Standard Operating Voltage Power Scheme 1 & 2 | | 3.0 | 3.6 | V |
| | Standard Operating Voltage Power Scheme 3 & 4 | | 4.5 | 5.5 | |
| V_{18} | Standard Operating Voltage Power Scheme 2 & 4 | | 1.65 | 1.95 | |
| P_D | Power dissipation at $T_A = 85^\circ \text{C}$ for suffix 6 or $T_A = 105^\circ \text{C}$ for suffix 7 ⁽²⁾ | LQFP100 | | 434 | mW |
| | | LQFP64 | | 444 | |
| | | LFBGA100 | | 487 | |
| | | LFBGA64 | | 344 | |
| T_A | Ambient temperature for 6 suffix version | Maximum power dissipation | -40 | 85 | $^\circ\text{C}$ |
| | | Low power dissipation ⁽³⁾ | -40 | 105 | $^\circ\text{C}$ |
| | Ambient temperature for 7 suffix version | Maximum power dissipation | -40 | 105 | $^\circ\text{C}$ |
| | | Low power dissipation ⁽³⁾ | -40 | 125 | $^\circ\text{C}$ |
| T_J | Junction temperature range | 6 Suffix Version | -40 | 105 | $^\circ\text{C}$ |
| | | 7 Suffix Version | -40 | 125 | $^\circ\text{C}$ |

1. Write access to Flash registers is either a program, erase, set protection or un-set protection operation.

2. If T_A is lower, higher P_D values are allowed as long as T_J does not exceed T_{Jmax} (see [Section 7.2: Thermal characteristics on page 79](#)).

3. In low power dissipation state, T_A can be extended to this range as long as T_J does not exceed T_{Jmax} (see [Section 7.2: Thermal characteristics on page 79](#)).

6.3.2 Operating conditions at power-up / power-down

Subject to general operating conditions for T_A .

Table 11. Operating conditions at power-up / power-down

| Symbol | Parameter | Conditions | Min ⁽¹⁾ | Typ | Max ⁽¹⁾ | Unit |
|---------------|--|---|--------------------|-----|--------------------|-----------------|
| t_{VDD_IO} | V_{DD_IO} rise time rate | | 20 | | | $\mu\text{s/V}$ |
| | | | | | 20 | ms/V |
| t_{V18} | V_{18} rise time rate ⁽¹⁾ | When 1.8 V power is supplied externally | 20 | | | $\mu\text{s/V}$ |
| | | | | | 20 | ms/V |

1. Data guaranteed by characterization, not tested in production.

6.3.3 Embedded voltage regulators

Subject to general operating conditions for V_{DD_IO} , and T_A

Table 12. Embedded voltage regulators

| Symbol | Parameter | Conditions | Min | Typ | Max | Unit |
|----------------------------------|---|--|------|------|------|---------------|
| V_{MVREG} | MVREG power supply ⁽¹⁾ | load <150 mA | 1.65 | 1.80 | 1.95 | V |
| V_{LPVREG} | LPVREG power supply ⁽²⁾ | load <10 mA | 1.30 | 1.40 | 1.50 | V |
| t_{VREG_PWRUP} ⁽¹⁾ | Voltage Regulators start-up time (to reach 90% of final V_{18} value) at V_{DD_IO} power-up ⁽³⁾ | V_{DD_IO} rise slope = 20 $\mu\text{s/V}$ | | 80 | | μs |
| | | V_{DD_IO} rise slope = 20 ms/V | | 35 | | ms |

- V_{MVREG} is observed on the V_{18} , V_{18REG} and V_{18BKP} pins except in the following case:
 - In STOP mode with MVREG OFF (LP_PARAM13 bit). See note 2.
 - In STANDBY mode. See note 2.
- In STANDBY mode, V_{LPVREG} is observed on the V_{18BKP} pin
In STOP mode, V_{LPVREG} is observed on the V_{18} , V_{18REG} and V_{18BKP} pins.
- Once V_{DD_IO} has reached 3.0 V, the RSM (Regulator Startup Monitor) generates an internal RESET during this start-up time.

6.3.4 Supply current characteristics

The current consumption is measured as described in [Figure 12 on page 30](#) and [Figure 13 on page 30](#).

Subject to general operating conditions for V_{DD_IO} , and T_A

Maximum power consumption

For the measurements in [Table 13](#) and [Table 14](#), the MCU is placed under the following conditions:

- All I/O pins are configured in output push-pull 0
- All peripherals are disabled except if explicitly mentioned.
- Embedded Regulators are used to provide 1.8 V (except if explicitly mentioned).

Table 13. Maximum power consumption in RUN and WFI modes

| Symbol | Parameter | Conditions ⁽¹⁾ | Typ ⁽²⁾ | Max ⁽³⁾ | Unit |
|----------|----------------------------|--|-------------------------|--------------------|------|
| I_{DD} | Supply current in RUN mode | External Clock with PLL multiplication, code running from RAM, all peripherals enabled in the MRCC_PLCKEN register: $f_{HCLK}=60$ MHz, $f_{PCLK}=30$ MHz Single supply scheme see Figure 12 / Figure 14 | 3.3V and 5V range 80 | 90 | mA |
| | Supply current in WFI mode | External Clock, code running from RAM: $f_{HCLK}=60$ MHz, $f_{PCLK}=30$ MHz Single supply scheme see Figure 12 / Figure 14 Parameter setting BURST=1, WFI_FLASHEN=1 | 3.3V and 5V range 62 | 67 | mA |

1. The conditions for these consumption measurements are described at the beginning of [Section 6.3.4](#).
2. Typical data are based on $T_A=25^\circ\text{C}$, $V_{DD_IO}=3.3\text{V}$ or 5.0V and $V_{18}=1.8\text{V}$ unless otherwise specified.
3. Data based on product characterisation, tested in production at V_{DD_IO} max and V_{18} max (1.95V in dual supply mode or regulator output value in single supply mode) and T_A max.

Table 14. Maximum power consumption in STOP and STANDBY modes

| Symbol | Parameter | Conditions ⁽¹⁾ | | Typ ⁽²⁾ | Max ⁽³⁾ | | | Unit |
|-----------------|--------------------------------|---|--|--------------------|------------------------|------------------------|-------------------------|------|
| | | | | | T _A 25°C | T _A 85°C | T _A 105°C | |
| I _{DD} | Supply current in STOP mode | LP_PARAM bits: ALL OFF ⁽⁴⁾ Single supply scheme see Figure 12 . | 3.3V range | 12 | 16 | 117 | 250 | μA |
| | | LP_PARAM bits: ALL OFF Dual supply scheme see Figure 13 . | I _{DD_V18} I _{DD_V33} | 5 <1 | 8 3 | 60 20 | 110 26 | μA |
| | | LP_PARAM bits: ALL OFF ⁽⁴⁾ Single supply scheme see Figure 10 | 5V range | 15 | 22 | 160 | 310 | μA |
| | | LP_PARAM bits: ALL OFF Dual supply scheme see Figure 11 | I _{DD_V18} I _{DD_V50} | 5 3 | 8 6 | 60 50 | 110 65 | μA |
| | Supply current in STANDBY mode | RTC OFF | 3.3 V range | 10 | 20 | 25 | 28 | |
| | | | 5V range | 15 | 25 | 30 | 33 | |

1. The conditions for these consumption measurements are described at the beginning of [Section 6.3.4](#).
2. Typical data are based on T_A=25°C, V_{DD_IO}=3.3V or 5.0V and V₁₈=1.8V unless otherwise specified.
3. Data based on product characterisation, tested in production at V_{DD_IO} max and V₁₈ max (1.95V in dual supply mode or regulator output value in single supply mode).
4. In this mode, the whole digital circuitry is powered internally by the LPVREG at approximately 1.4V, which significantly reduces the leakage currents.

Figure 16. Power consumption in STOP mode in Single supply scheme (3.3 V range)

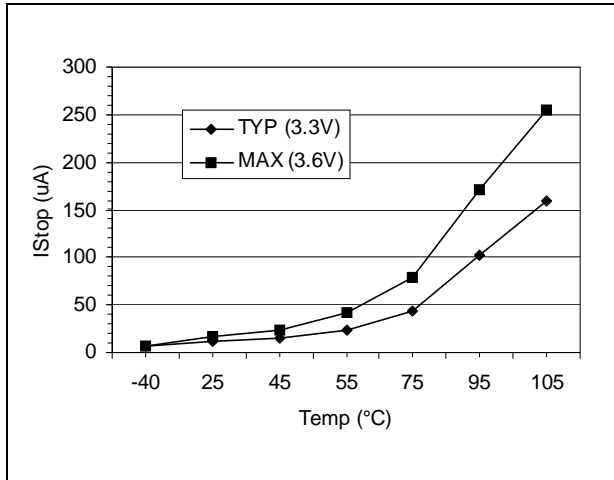


Figure 17. Power consumption in STOP mode Single supply scheme (5 V range)

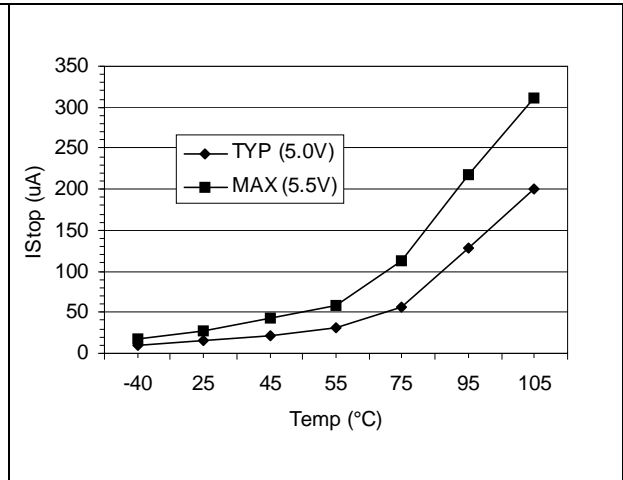


Figure 18. Power consumption in STANDBY mode (3.3 V range)

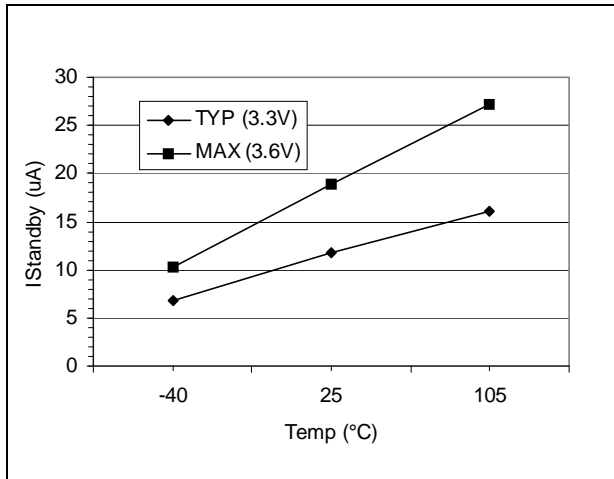
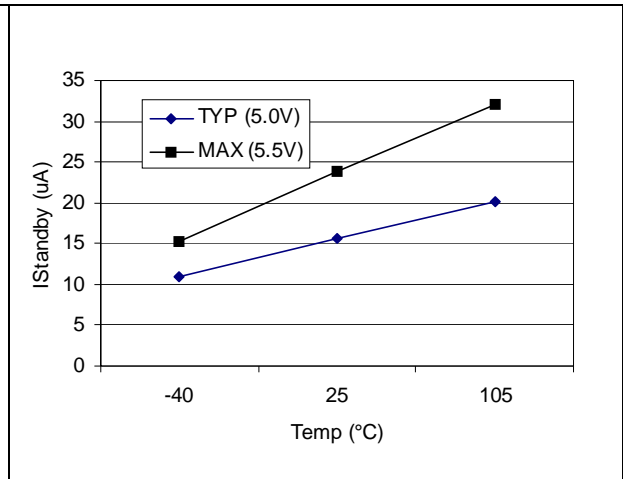


Figure 19. Power consumption in STANDBY mode (5 V range)



Typical power consumption

The following measurement conditions apply to [Table 15](#), [Table 16](#) and [Table 17](#).

In RUN mode:

- Program is executed from Flash (except if especially mentioned). The program consists of an infinite loop. When $f_{HCLK} > 32$ MHz, burst mode is activated.
- A standard 4 MHz crystal source is used.
- In all cases the PLL is used to multiply the frequency.
- All measurements are done in the single supply scheme with internal regulators used (see [Figure 12](#))

In WFI Mode:

- In WFI Mode the measurement conditions are similar to RUN mode (OSC4M and PLL enabled). In addition, the Flash can be disabled depending on burst mode activation:
 - For AHB frequencies greater than 32 MHz, burst mode is activated and the Flash is kept enabled by setting the WFI_FLASH_EN bit (this bit cannot be reset when burst mode is activated).
 - For AHB frequencies less than or equal to 32 MHz, burst mode is deactivated, WFI_FLASH_EN is reset and the LP_PARAM14 bit is set (Flash is disabled in WFI mode).

In SLOW mode:

- The same program as in RUN mode is executed from Flash. The CPU is clocked by the FREEOSC, OSC4M, LPOSC or OSC32K. Only EXTIT peripheral is enabled in the MRCC_PCLKEN register.

In SLOW-WFI mode:

- In SLOW-WFI, the measurement conditions are similar to SLOW mode (CPU clocked by a low frequency clock). In addition, the LP_PARAM14 bit is set (FLASH is OFF). The WFI routine itself is executed from SRAM (it is not allowed to execute a WFI from the internal FLASH)

In STOP mode:

- Several measurements are given: in the single supply scheme with internal regulators used (see [Figure 12](#)): and in the dual supply scheme (see [Figure 13](#)).

In STANDBY mode:

- Three measurements are given:
 - The RTC is disabled, only the consumption of the LPVREG and RSM remain (almost no leakage currents)
 - The RTC is running, clocked by a standard 32.768 kHz crystal.
 - The RTC is running, clocked by the internal Low Power RC oscillator (LPOSC)
- STANDBY mode is only supported in the single supply scheme (see [Figure 12](#))

Subject to general operating conditions for V_{DD_IO} , and T_A

Table 15. Single supply typical power consumption in Run, WFI, Slow and Slow-WFI modes

| Symbol | Parameter | Conditions | 3.3V typ ⁽¹⁾ | 5V typ ⁽²⁾ | Unit | | | | | |
|----------------|---|--|--|---|------|---|--|----|----------------------------|----------------------------|
| $I_{DD}^{(3)}$ | Supply current in RUN mode ⁽⁴⁾ | Clocked by OSC4M with PLL multiplication, all peripherals enabled in the MRCC_PLCKEN register: $f_{HCLK}=60$ MHz, $f_{PCLK}=30$ MHz $f_{HCLK}=56$ MHz, $f_{PCLK}=28$ MHz $f_{HCLK}=48$ MHz, $f_{PCLK}=24$ MHz $f_{HCLK}=32$ MHz, $f_{PCLK}=32$ MHz $f_{HCLK}=16$ MHz, $f_{PCLK}=16$ MHz $f_{HCLK}=8$ MHz, $f_{PCLK}=8$ MHz | 80 75 65 59 34 20 | 82 77 67 61 37 22 | mA | | | | | |
| | | Clocked by OSC4M with PLL multiplication, only EXTIT peripheral enabled in the MRCC_PLCKEN register: $f_{HCLK}=60$ MHz, $f_{PCLK}=30$ MHz $f_{HCLK}=56$ MHz, $f_{PCLK}=28$ MHz $f_{HCLK}=48$ MHz, $f_{PCLK}=24$ MHz $f_{HCLK}=32$ MHz, $f_{PCLK}=32$ MHz $f_{HCLK}=16$ MHz, $f_{PCLK}=16$ MHz $f_{HCLK}=8$ MHz, $f_{PCLK}=8$ MHz | 65 60 54 42 22 16 | 67 62 55 44 24 18 | | mA | | | | |
| | Supply current in WFI mode ⁽⁴⁾ | Clocked by OSC4M with PLL multiplication, only EXTIT peripheral enabled in the MRCC_PLCKEN register: $f_{HCLK}=60$ MHz, $f_{PCLK}=30$ MHz ⁽⁵⁾ $f_{HCLK}=56$ MHz, $f_{PCLK}=28$ MHz ⁽⁵⁾ $f_{HCLK}=48$ MHz, $f_{PCLK}=24$ MHz ⁽⁵⁾ $f_{HCLK}=32$ MHz, $f_{PCLK}=32$ MHz ⁽⁶⁾ $f_{HCLK}=16$ MHz, $f_{PCLK}=16$ MHz ⁽⁶⁾ $f_{HCLK}=8$ MHz, $f_{PCLK}=8$ MHz ⁽⁶⁾ | 62 59 53 22 13 10 | 63 60 54 23 15 11 | mA | | | | | |
| | | | Supply current in SLOW mode ⁽⁴⁾ | Clocked by FREEOSC: $f_{HCLK}=f_{PCLK}\sim 5$ MHz, Clocked by OSC4M: $f_{HCLK}=f_{PCLK}=4$ MHz Clocked by LPOSC: $f_{HCLK}=f_{PCLK}\sim 300$ kHz Clocked by OSC32K: $f_{HCLK}=f_{PCLK}=32.768$ kHz | | 9 8 3.65 3.5 | 10 9 3.9 4.2 | mA | | |
| | | | | | | Supply current in SLOW-WFI mode ⁽⁴⁾⁽⁷⁾ | Clocked by FREEOSC: $f_{HCLK}=f_{PCLK}\sim 5$ MHz Clocked by OSC4M: $f_{HCLK}=f_{PCLK}=4$ MHz Clocked by LPOSC: $f_{HCLK}=f_{PCLK}\sim 300$ kHz Clocked by OSC32K: $f_{HCLK}=f_{PCLK}=32.768$ kHz | | 3.5 3.1 1.15 0.98 | 4.0 3.75 1.65 1.5 |

1. Typical data based on $T_A=25^\circ\text{C}$ and $V_{DD_IO}=3.3\text{V}$.
2. Typical data based on $T_A=25^\circ\text{C}$ and $V_{DD_IO}=5.0\text{V}$.
3. The conditions for these consumption measurements are described at the beginning of [Section 6.3.4 on page 36](#).
4. Single supply scheme see [Figure 14](#).
5. Parameter setting BURST=1, WFI_FLASHEN=1
6. Parameter setting BURST=0, WFI_FLASHEN=0
7. Parameter setting WFI_FLASHEN=0, OSC4MOFF=1

Table 16. Dual supply supply typical power consumption in Run, WFI, Slow and Slow-WFI modes

To calculate the power consumption in Dual supply mode, refer to the values given in [Table 15](#). and consider that this consumption is split as follows:

$$I_{DD}(\text{single supply}) \sim I_{DD}(\text{dual supply}) = I_{DD_V18} + I_{DD}(VDD_IO)$$

For 3.3V range: $I_{DD}(VDD_IO) \sim 1$ to 2 mA
 For 5V range: $I_{DD}(VDD_IO) \sim 2$ to 3 mA
 Therefore most of the consumption is sunk on the V_{18} power supply
 This formula does not apply in STOP and STANDBY modes, refer to [Table 17](#).

Subject to general operating conditions for V_{DD_IO} , and T_A

Table 17. Typical power consumption in STOP and STANDBY modes

| Symbol | Parameter | Conditions | 3.3V Typ ⁽¹⁾ | 5V Typ ⁽²⁾ | Unit | |
|--------------------------|---|---|--------------------------------|-----------------------|-------------|---------|
| $I_{DD}^{(3)}$ | Supply current in STOP mode ⁽⁴⁾ | LP_PARAM bits: ALL OFF ⁽⁵⁾ | 12 | 15 | μA | |
| | | LP_PARAM bits : MVREG ON, OSC4M OFF, FLASH OFF ⁽⁶⁾ | 130 | 135 | | |
| | | LP_PARAM bits: MVREG ON, OSC4M ON , FLASH OFF ⁽⁶⁾ | 1950 | 1930 | | |
| | | LP_PARAM bits: MVREG ON, OSC4M OFF, FLASH ON ⁽⁶⁾ | 630 | 635 | | |
| | | LP_PARAM bits: MVREG ON, OSC4M ON, FLASH ON ⁽⁶⁾ | 2435 | 2425 | | |
| | Supply current in STOP mode ⁽⁷⁾ | LPPARAM bits: ALL OFF, with $V_{18}=1.8$ V | I_{DD_V18} I_{DD_V33} | 5 <1 | 5 <1 | μA |
| | | LP_PARAM bits: OSC4M ON, FLASH OFF | I_{DD_V18} I_{DD_V33} | 410 1475 | 410 1435 | |
| | | LP_PARAM bits: OSC4M OFF, FLASH ON | I_{DD_V18} I_{DD_V33} | 550 <1 | 550 1 | |
| | | LP_PARAM bits: OSC4M ON, FLASH ON | I_{DD_V18} I_{DD_V33} | 910 1475 | 910 1445 | |
| | Supply current in STANDBY mode ⁽⁴⁾ | RTC OFF | | 11 | 14 | μA |
| RTC ON clocked by OSC32K | | | 14 | 18 | | |

1. Typical data are based on $T_A=25^\circ C$, $V_{DD_IO}=3.3$ V and $V_{18}=1.8$ V unless otherwise indicated in the table.
2. Typical data are based on $T_A=25^\circ C$, $V_{DD_IO}=5.0$ V and $V_{18}=1.8$ V unless otherwise indicated in the table.
3. The conditions for these consumption measurements are described at the beginning of [Section 6.3.4 on page 36](#).
4. Single supply scheme see [Figure 12](#).
5. In this mode, the whole digital circuitry is powered internally by the LPVREG at approximately 1.4 V, which significantly reduces the leakage currents.
6. In this mode, the whole digital circuitry is powered internally by the MVREG at 1.8 V.
7. Dual supply scheme see [Figure 13](#).

Supply and clock manager power consumption

Table 18. Supply and clock manager power consumption

| Symbol | Parameter | Conditions ⁽¹⁾ | 3.3V Typ | 5V Typ | Unit |
|-------------------------|---|---|-------------|-----------|------|
| I _{DD(OSC4M)} | Supply current of resonator oscillator in STOP or WFI mode (LP_PARAM bit: OSC4M ON) | External components specified in: 4/8 MHz crystal / ceramic resonator oscillator (XT1/XT2) on page 46 | 1815 | 1795 | μA |
| I _{DD(FLASH)} | FLASH static current consumption in STOP or WFI mode (LP_PARAM bit FLASH ON) | | 515 | 515 | |
| I _{DD(MVREG)} | Main Voltage Regulator static current consumption in STOP mode (LP_PARAM bit: MVREG ON) | | 130 | 135 | |
| I _{DD(LPVREG)} | Low Power Voltage Regulator + RSM current static current consumption | STOP mode includes leakage where V ₁₈ is internally set to 1.4 V | 12 | 15 | |
| | | STANDBY mode where V _{18BKP} and V ₁₈ are internally set to 1.4 V and 0 V respectively | 11 | 14 | |

1. Measurements performed in 3.3V single supply mode see [Figure 12](#)

On-Chip peripheral power consumption

Conditions:

- $V_{DD_IO}=V_{DDA_ADC}=V_{DDA_PLL}=3.3\text{ V}$ or $5\text{ V} \pm 10\%$ unless otherwise specified.
- $T_A=25^\circ\text{ C}$
- Clocked by OSC4M with PLL multiplication, $f_{CK_SYS}=64\text{ MHz}$, $f_{HCLK}=32\text{ MHz}$, $f_{PCLK}=32\text{ MHz}$

Table 19. On-Chip peripherals

| Symbol | Parameter | Typ (3.3V and 5.0V) | Unit |
|----------------|--|------------------------|------|
| $I_{DD(TIM)}$ | TIM Timer supply current ⁽¹⁾ | 0.7 | mA |
| $I_{DD(PWM)}$ | PWM Timer supply current ⁽²⁾ | 1 | |
| $I_{DD(SSP)}$ | SSP supply current ⁽³⁾ | 1.3 | |
| $I_{DD(UART)}$ | UART supply current ⁽⁴⁾ | 1.6 | |
| $I_{DD(I2C)}$ | I2C supply current ⁽⁵⁾ | 0.3 | |
| $I_{DD(ADC)}$ | ADC supply current when converting ⁽⁶⁾ | 1.2 | |
| $I_{DD(USB)}$ | USB supply current ⁽⁷⁾ Note: V_{DD_IO} must be $3.3\text{ V} \pm 10\%$ | 0.90 | |
| $I_{DD(CAN)}$ | CAN supply current ⁽⁸⁾ | 2.8 | |

1. Data based on a differential I_{DD} measurement between reset configuration and timer counter running at 32 MHz. No IC/OC programmed (no I/O pads toggling)
2. Data based on a differential I_{DD} measurement between reset configuration and PWM running at 32 MHz. This measurement does not include PWM pads toggling consumption.
3. Data based on a differential I_{DD} measurement between reset configuration and permanent SPI master communication at maximum speed 16 MHz. The data sent is 55h. This measurement does not include the pad toggling consumption.
4. Data based on a differential I_{DD} measurement between reset configuration and a permanent UART data transmit sequence at 1Mbauds. This measurement does not include the pad toggling consumption.
5. Data based on a differential I_{DD} measurement between reset configuration (I2C disabled) and a permanent I2C master communication at 100kHz (data sent equal to 55h). This measurement includes the pad toggling consumption but not the external 10kOhm external pull-up on clock and data lines.
6. Data based on a differential I_{DD} measurement between reset configuration and continuous A/D conversions at 8 MHz in scan mode on 16 inputs configured as AIN.
7. Data based on a differential I_{DD} measurement between reset configuration and a running generic HID application.
8. Data based on a differential I_{DD} measurement between reset configuration (CAN disabled) and a permanent CAN data transmit sequence in loopback mode at 1MHz. This measurement does not include the pad toggling consumption.

6.3.5 Clock and timing characteristics

XT1 external clock source

Subject to general operating conditions for V_{DD_IO} , and T_A .

Table 20. XT1 external clock source

| Symbol | Parameter | Conditions ^{(1) (2)} | Min | Typ | Max | Unit |
|--------------------------------|--------------------------------------|-------------------------------|--------------------------------------|-----|-------------------------|---------|
| f_{XT1} | External clock source frequency | see Figure 20 | | 4 | 60 | MHz |
| V_{XT1H} | XT1 input pin high level voltage | | $0.7 \times V_{DD_IO}$ | | V_{DD_IO} | V |
| V_{XT1L} | XT1 input pin low level voltage | | V_{SS} | | $0.3 \times V_{DD_IO}$ | |
| $t_{w(XT1H)}$ $t_{w(XT1L)}$ | XT1 high or low time ⁽³⁾ | | 6 | | | ns |
| $t_{r(XT1)}$ $t_{f(XT1)}$ | XT1 rise or fall time ⁽³⁾ | | | | 20 | |
| I_L | XTx Input leakage current | | $V_{SS} \leq V_{IN} \leq V_{DD_IO}$ | | | ± 1 |
| $C_{IN(XT1)}$ | XT1 input capacitance ⁽³⁾ | | | 5 | | pF |
| $DuCy_{(XT1)}$ | Duty cycle | | 45 | | 55 | % |

1. Data based on typical application software.
2. Time measured between interrupt event and interrupt vector fetch. $\Delta t_{c(INST)}$ is the number of t_{CPU} cycles needed to finish the current instruction execution.
3. Data based on design simulation and/or technology characteristics, not tested in production.

XRTC1 external clock source

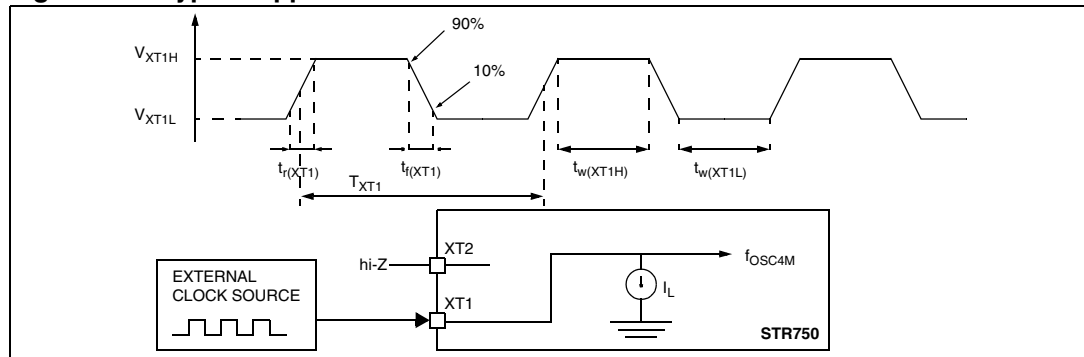
Subject to general operating conditions for V_{DD_IO} , and T_A .

Table 21. XRTC1 external clock source

| Symbol | Parameter | Conditions ⁽¹⁾ | Min | Typ | Max | Unit |
|--------------------------------|--|--|-------------------------|--------|-------------------------|---------|
| f_{XRTC1} | External clock source frequency | | | 32.768 | 500 | kHz |
| V_{XRTC1H} | XRTC1 input pin high level voltage | see <i>Figure 20</i> | $0.7 \times V_{DD_IO}$ | | V_{DD_IO} | V |
| V_{XRTC1L} | XRTC1 input pin low level voltage | | V_{SS} | | $0.3 \times V_{DD_IO}$ | |
| $t_w(XRTC1H)$ $t_w(XRTC1L)$ | XRTC1 high or low time ⁽²⁾ | | 900 | | | ns |
| $t_r(XRTC1)$ $t_f(XRTC1)$ | XRTC1 rise or fall time ⁽²⁾ | | | 50 | | |
| I_L | XRTCx Input leakage current | $V_{SS} \leq V_{IN} \leq V_{DD_I}$ O | | | ± 1 | μA |
| $C_{IN(RTC1)}$ | XRTC1 input capacitance ⁽²⁾ | | | 5 | | pF |
| $DuCy_{(RTC1)}$ | Duty cycle | | 30 | | 70 | % |

1. Data based on typical application software.
2. Data based on design simulation and/or technology characteristics, not tested in production.

Figure 20. Typical application with an external clock source



4/8 MHz crystal / ceramic resonator oscillator (XT1/XT2)

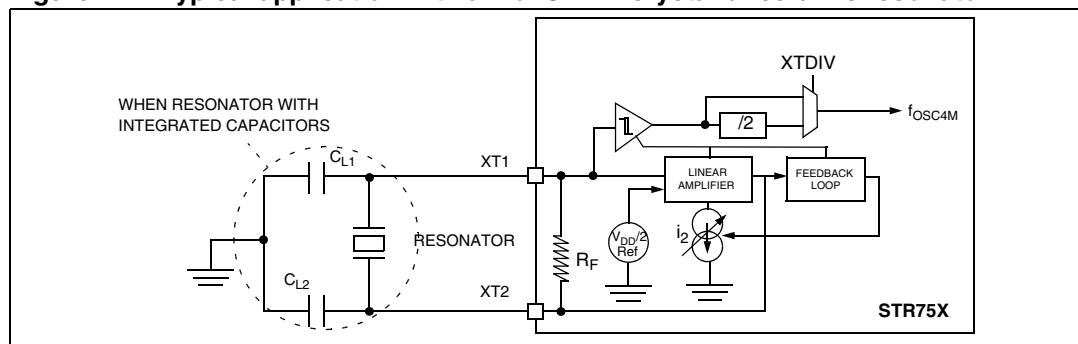
The STR750 system clock or the input of the PLL can be supplied by a OSC4M which is a 4 MHz clock generated from a 4 MHz or 8 MHz crystal or ceramic resonator. If using an 8 MHz oscillator, software set the XTDIV bit to enable a divider by 2 and generate a 4 MHz OSC4M clock. All the information given in this paragraph are based on product characterisation with specified typical external components. In the application, the resonator and the load capacitors have to be placed as close as possible to the oscillator pins in order to minimize output distortion and start-up stabilization time. Refer to the crystal/ceramic resonator manufacturer for more details (frequency, package, accuracy...).

Table 22. 4/8 MHz crystal / ceramic resonator oscillator (XT1/XT2)⁽¹⁾

| Symbol | Parameter | Conditions | Min | Typ | Max | Unit |
|----------------------------|---|--|-----|-----|-----|---------------|
| f_{OSC4M} | Oscillator frequency | 4 MHz Crystal/Resonator Oscillator connected on XT1/XT2 XTDIV=0 or 8 MHz Crystal/Resonator Oscillator connected on XT1/XT2 XTDIV=1 | | 4 | | MHz |
| R_F | Feedback resistor | | 200 | 240 | 270 | k Ω |
| $C_{L1}^{(2)}$ C_{L2} | Recommended load capacitance versus equivalent serial resistance of the crystal or ceramic resonator (R_S) ⁽³⁾ | $R_S=200\Omega$ | | | 60 | pF |
| i_2 | XT2 driving current | $V_{DD_IO}=3.3\text{ V}$ or 5.0 V | | 425 | | μA |
| $t_{SU(OSC4M)}^{(4)}$ | Startup time at V_{DD_IO} power-up | | | 1 | | ms |

1. Resonator characteristics given by the crystal/ceramic resonator manufacturer.
2. For C_{L1} and C_{L2} it is recommended to use high-quality ceramic capacitors in the 5-pF to 25-pF range (typ.) designed for high-frequency applications and selected to match the requirements of the crystal or resonator. C_{L1} and C_{L2} are usually the same size. The crystal manufacturer typically specifies a load capacitance which is the series combination of C_{L1} and C_{L2} . PCB and MCU pin capacitance must be included when sizing C_{L1} and C_{L2} (10 pF can be used as a rough estimate of the combined pin and board capacitance).
3. The relatively low value of the RF resistor offers a good protection against issues resulting from use in a humid environment, due to the induced leakage and the bias condition change. However, it is recommended to take this point into account if the MCU is used in tough humidity conditions.
4. $t_{SU(OSC4M)}$ is the typical start-up time measured from the moment V_{DD_IO} is powered (with a quick V_{DD_IO} ramp-up from 0 to 3.3V (<50 μs) to a stabilized 4MHz oscillation is reached. This value is measured for a standard crystal resonator and it can vary significantly with the crystal/ceramic resonator manufacturer.

Figure 21. Typical application with a 4 or 8 MHz crystal or ceramic resonator



OSC32K crystal / ceramic resonator oscillator

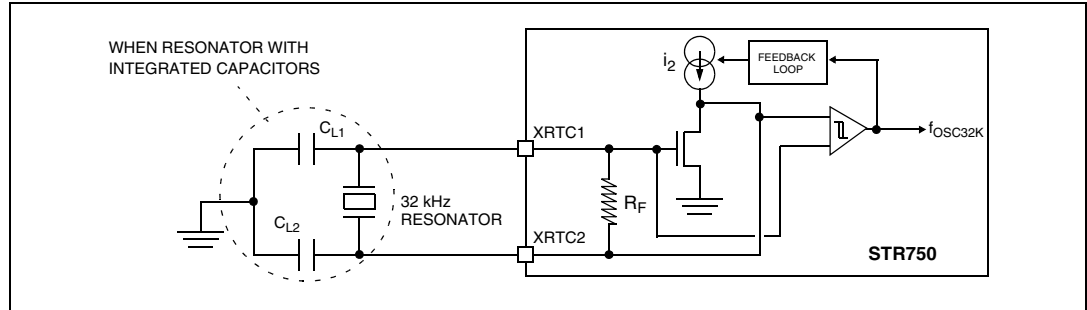
The STR7 RTC clock can be supplied with a 32.768 kHz Crystal/Ceramic resonator oscillator. All the information given in this paragraph are based on product characterisation with specified typical external components. In the application, the resonator and the load capacitors have to be placed as close as possible to the oscillator pins in order to minimize output distortion and start-up stabilization time. Refer to the crystal/ceramic resonator manufacturer for more details (frequency, package, accuracy...).

Table 23. OSC32K crystal / ceramic resonator oscillator

| Symbol | Parameter | Conditions | Min | Typ | Max | Unit |
|---------------------------------|---|--|-----|--------|-----|---------------|
| f_{OSC32K} | Oscillator Frequency | | | 32.768 | | kHz |
| R_F | Feedback resistor | $V_{DD_IO}=3.3\text{ V or }5.0\text{ V}$ | 270 | 310 | 370 | $k\Omega$ |
| C_{L1} C_{L2} | Recommended load capacitance versus equivalent serial resistance of the crystal or ceramic resonator (R_S) ⁽¹⁾ | $R_S=40K\Omega$ | | 12.5 | 15 | μF |
| i_2 | XT2 driving current | $V_{DD_IO}=3.3\text{ V or }5.0\text{ V}$ $V_{IN}=V_{SS}$ | 1 | | 5 | μA |
| $t_{SU(OSC32K)}$ ⁽²⁾ | Startup time | V_{DD_IO} is stabilized | | 2.5 | | s |

1. The oscillator selection can be optimized in terms of supply current using an high quality resonator with small R_S value. Refer to crystal/ceramic resonator manufacturer for more details
2. $t_{SU(OSC32K)}$ is the start-up time measured from the moment it is enabled (by software) to a stabilized 32 kHz oscillation is reached. This value is measured for a standard crystal resonator and it can vary significantly with the crystal/ceramic resonator manufacturer

Figure 22. Typical application with a 32.768 kHz crystal or ceramic resonator



PLL characteristics

PLL Jitter Terminology

- Self-referred single period jitter (period jitter)
 Period Jitter is defined as the difference of the maximum period (T_{max}) and minimum period (T_{min}) at the output of the PLL where T_{max} is the maximum time difference between 2 consecutive clock rising edges and T_{min} is the minimum time difference between 2 consecutive clock rising edges.
 See [Figure 23](#)
- Self-referred long term jitter (N period jitter)
 Self-referred long term Jitter is defined as the difference of the maximum period (T_{max}) and minimum period (T_{min}) at the output of the PLL where T_{max} is the maximum time

difference between N+1 consecutive clock rising edges and T_{min} is the minimum time difference between N+1 consecutive clock rising edges.

N should be kept sufficiently large to have a long term jitter (ex: thousands).

For N=1, this becomes the single period jitter.

See [Figure 23](#)

- Cycle-to-cycle jitter (N period jitter)

This corresponds to the time variation between adjacent cycles over a random sample of adjacent clock cycles pairs. $Jitter(\text{cycle-to-cycle}) = \text{Max}(T_{\text{cycle } n} - T_{\text{cycle } n-1})$ for n=1 to N.

See [Figure 24](#)

Figure 23. Self-referred jitter (single and long term)

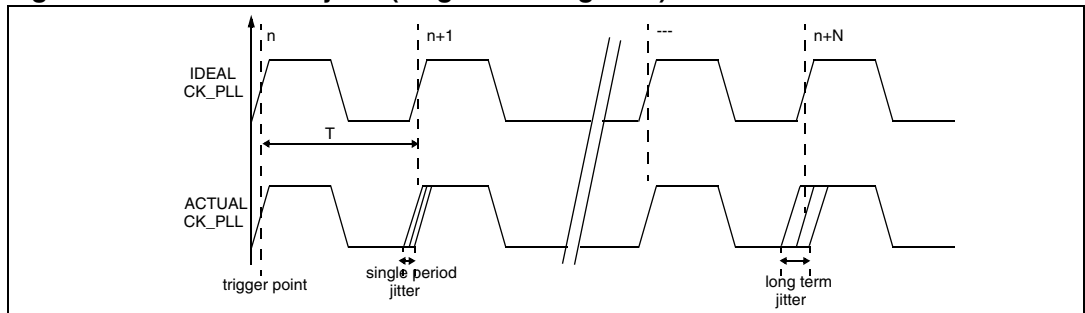
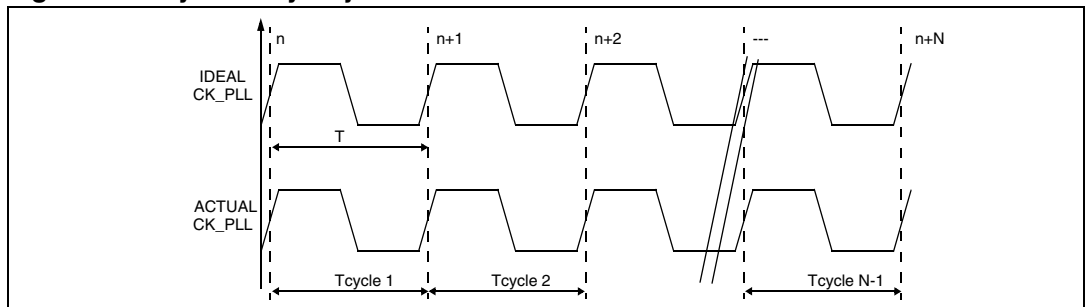


Figure 24. Cycle-to-cycle jitter



PLL characteristics

Subject to general operating conditions for V_{DD_IO} , and T_A .

Table 24. PLL characteristics

| Symbol | Parameter | Test Conditions | Value | | | Unit |
|-------------------------------|--|---|-------|-----|--------------------|---------|
| | | | Min | Typ | Max ⁽¹⁾ | |
| f_{PLL_IN} | PLL input clock | | | 4.0 | | MHz |
| | PLL input clock duty cycle | | 40 | | 60 | % |
| f_{PLL_OUT} | PLL multiplier output clock | $f_{PLL_IN} \times 24$ | | | 165 | MHz |
| f_{VCO} | VCO frequency range | When PLL operates (locked) | 336 | | 960 | MHz |
| t_{LOCK} | PLL lock time | | | | 300 | μ s |
| $\Delta t_{JITTER1}^{(2)(3)}$ | Single period jitter (+/-3 Σ peak to peak) | $f_{PLL_IN} = 4 \text{ MHz}^{(4)}$ V_{DD_IO} is stable | | | +/-250 | ps |
| $\Delta t_{JITTER2}^{(2)(3)}$ | Long term jitter (+/-3 Σ peak to peak) | $f_{PLL_IN} = 4 \text{ MHz}^{(4)}$ V_{DD_IO} is stable | | | +/-2.5 | ns |
| $\Delta t_{JITTER3}^{(2)(3)}$ | Cycle to cycle jitter (+/-3 Σ peak to peak) | $f_{PLL_IN} = 4 \text{ MHz}^{(4)}$ V_{DD_IO} is stable | | | +/-500 | ps |

1. Data based on product characterisation, not tested in production.
2. Refer to jitter terminology in : [PLL characteristics on page 47](#) for details on how jitter is specified.
3. The jitter specification holds true only up to 50mV (peak-to-peak) noise on V_{DDA_PLL} and V_{18} supplies. Jitter will increase if the noise is more than 50mV. In addition, it assumes that the input clock has no jitter.
4. The PLL parameters (MX1, MX0, PRESC1, PRESC2) must respect the constraints described in: [PLL characteristics on page 47](#).

Internal RC oscillators (FREEOSC & LPOSC)

Subject to general operating conditions for V_{DD_IO} , and T_A .

Table 25. Internal RC oscillators (FREEOSC & LPOSC)

| Symbol | Parameter | Conditions | Min | Typ | Max | Unit |
|-------------------|------------------------------|------------|-----|-----|-----|------|
| $f_{CK_FREEOSC}$ | FREEOSC Oscillator Frequency | | 3 | 5 | 8 | MHz |
| f_{CK_LPOSC} | LPOSC Oscillator Frequency | | 150 | 300 | 500 | kHz |

6.3.6 Memory characteristics

Flash memory

Subject to general operating conditions for V_{DD_IO} and V_{18} , $T_A = -40$ to 105 °C unless otherwise specified.

Table 26. Flash memory characteristics

| Symbol | Parameter | Test Conditions | Value | | Unit |
|-----------|-------------------------|--|---------------|--|---------|
| | | | Typ | Max ⁽¹⁾ | |
| t_{PW} | Word Program | | 35 | | μ s |
| t_{PDW} | Double Word Program | | 60 | | μ s |
| t_{PB0} | Bank 0 Program (256K) | Single Word programming of a checker-board pattern | 2 | 4.9 ⁽²⁾ | s |
| t_{PB1} | Bank 1 Program (16K) | Single Word programming of a checker-board pattern | 125 | 224 ⁽²⁾ | ms |
| t_{ES} | Sector Erase (64K) | Not preprogrammed (all 1) Preprogrammed (all 0) | 1.54 1.176 | 2.94 ⁽²⁾ 2.38 ⁽²⁾ | s |
| t_{ES} | Sector Erase (8K) | Not preprogrammed (all 1) Preprogrammed (all 0) | 392 343 | 560 ⁽²⁾ 532 ⁽²⁾ | ms |
| t_{ES} | Bank 0 Erase (256K) | Not preprogrammed (all 1) Preprogrammed (all 0) | 8.0 6.6 | 13.7 11.2 | s |
| t_{ES} | Bank 1 Erase (16K) | Not preprogrammed (all 1) Preprogrammed (all 0) | 0.9 0.8 | 1.5 1.3 | s |
| t_{RPD} | Recovery when disabled | | | 20 | μ s |
| t_{PSL} | Program Suspend Latency | | | 10 | μ s |
| t_{ESL} | Erase Suspend Latency | | | 300 | μ s |

1. Data based on characterisation not tested in production

2. 10K program/erase cycles.

Table 27. Flash memory endurance and data retention

| Symbol | Parameter | Conditions | Value | | | Unit |
|---------------|----------------------------|--|--------------------|-----|-----|---------|
| | | | Min ⁽¹⁾ | Typ | Max | |
| N_{END_B0} | Endurance (Bank 0 sectors) | | 10 | | | kcycles |
| N_{END_B1} | Endurance (Bank 1 sectors) | | 100 | | | kcycles |
| Y_{RET} | Data Retention | $T_A=85$ ° C | 20 | | | Years |
| t_{ESR} | Erase Suspend Rate | Min time from Erase Resume to next Erase Suspend | 20 | | | ms |

1. Data based on characterisation not tested in production.

6.3.7 EMC characteristics

Susceptibility tests are performed on a sample basis during product characterization.

Functional EMS (electro magnetic susceptibility)

Based on a simple running application on the product (toggling 2 LEDs through I/O ports), the product is stressed by two electro magnetic events until a failure occurs (indicated by the LEDs).

- **ESD:** Electro-Static Discharge (positive and negative) is applied on all pins of the device until a functional disturbance occurs. This test conforms with the IEC 1000-4-2 standard.
- **FTB:** A Burst of Fast Transient voltage (positive and negative) is applied to V_{DD} and V_{SS} through a 100pF capacitor, until a functional disturbance occurs. This test conforms with the IEC 1000-4-4 standard.

A device reset allows normal operations to be resumed. The test results are given in the table below based on the EMS levels and classes defined in application note AN1709.

Designing hardened software to avoid noise problems

EMC characterization and optimization are performed at component level with a typical application environment and simplified MCU software. It should be noted that good EMC performance is highly dependent on the user application and the software in particular.

Therefore it is recommended that the user applies EMC software optimization and prequalification tests in relation with the EMC level requested for his application.

Software recommendations:

The software flowchart must include the management of runaway conditions such as:

- Corrupted program counter
- Unexpected reset
- Critical Data corruption (control registers...)

Prequalification trials:

Most of the common failures (unexpected reset and program counter corruption) can be reproduced by manually forcing a low state on the RESET pin or the Oscillator pins for 1 second.

To complete these trials, ESD stress can be applied directly on the device, over the range of specification values. When unexpected behaviour is detected, the software can be hardened to prevent unrecoverable errors occurring (see application note AN1015).

Table 28. EMC characteristics

| Symbol | Parameter | Conditions | Level/Class |
|------------|--|---|-------------|
| V_{FESD} | Voltage limits to be applied on any I/O pin to induce a functional disturbance | $V_{DD_IO}=3.3\text{ V or }5\text{ V}$, $T_A=+25^\circ\text{ C}$, $f_{CK_SYS}=32\text{ MHz}$ conforms to IEC 1000-4-2 | Class A |
| V_{EFTB} | Fast transient voltage burst limits to be applied through 100pF on V_{DD} and V_{SS} pins to induce a functional disturbance | $V_{DD_IO}=3.3\text{ V or }5\text{ V}$, $T_A=+25^\circ\text{ C}$, $f_{CK_SYS}=32\text{ MHz}$ conforms to IEC 1000-4-4 | Class A |

Electro magnetic interference (EMI)

Based on a simple application running on the product (toggling 2 LEDs through the I/O ports), the product is monitored in terms of emission. This emission test is in line with the norm SAE J 1752/3 which specifies the board and the loading of each pin.

Table 29. EMI characteristics

| Symbol | Parameter | Conditions | Monitored Frequency Band | Max vs. [f _{OSC4M} /f _{HCLK}] | | Unit |
|------------------|------------|--|--------------------------|--|---------|------------|
| | | | | 4/32MHz | 4/60MHz | |
| S _{EMI} | Peak level | Flash devices: V _{DD_IO} =3.3 V or 5 V, T _A =+25° C, LQFP64 package conforming to SAE J 1752/3 | 0.1 MHz to 30 MHz | 22 | 26 | dB μ V |
| | | | 30 MHz to 130 MHz | 31 | 26 | |
| | | | 130 MHz to 1 GHz | 19 | 23 | |
| | | | SAE EMI Level | >4 | >4 | - |

Absolute maximum ratings (electrical sensitivity)

Based on three different tests (ESD, LU and DLU) using specific measurement methods, the product is stressed in order to determine its performance in terms of electrical sensitivity. For more details, refer to the application note AN1181.

Electro-Static discharge (ESD)

Electro-Static Discharges (a positive then a negative pulse separated by 1 second) are applied to the pins of each sample according to each pin combination. The sample size depends on the number of supply pins in the device (3 parts*(n+1) supply pin). Two models can be simulated: Human Body Model and Machine Model. This test conforms to the JESD22-A114A/A115A standard.

Table 30. Absolute maximum ratings

| Symbol | Ratings | Conditions | Maximum value ⁽¹⁾ | Unit |
|-----------------------|--|------------------------|------------------------------|------|
| V _{ESD(HBM)} | Electro-static discharge voltage (Human Body Model) | T _A =+25° C | 2000 | V |
| V _{ESD(MM)} | Electro-static discharge voltage (Machine Model) | | 200 | |
| V _{ESD(CDM)} | Electro-static discharge voltage (Charge Device Model) | | 750 | |

1. Data based on product characterisation, not tested in production.

Static and dynamic latch-up

- **LU:** 3 complementary static tests are required on 10 parts to assess the latch-up performance. A supply overvoltage (applied to each power supply pin) and a current injection (applied to each input, output and configurable I/O pin) are performed on each sample. This test conforms to the EIA/JESD 78 IC latch-up standard. For more details, refer to the application note AN1181.
- **DLU:** Electro-Static Discharges (one positive then one negative test) are applied to each pin of 3 samples when the micro is running to assess the latch-up performance in dynamic mode. Power supplies are set to the typical values, the oscillator is connected as near as possible to the pins of the micro and the component is put in reset mode. This test conforms to the IEC1000-4-2 and SAEJ1752/3 standards. For more details, refer to the application note AN1181.

Table 31. Electrical sensitivities

| Symbol | Parameter | Conditions | Class ⁽¹⁾ |
|--------|------------------------|--|----------------------|
| LU | Static latch-up class | T _A =+25° C T _A =+85° C T _A =+105° C | Class A |
| DLU | Dynamic latch-up class | V _{DD} = 5.5 V, f _{OSC4M} =4 MHz, f _{CK_SYS} =32 MHz, T _A =+25° C | Class A |

1. Class description: A Class is an STMicroelectronics internal specification. All its limits are higher than the JEDEC specifications, that means when a device belongs to Class A it exceeds the JEDEC standard. B Class strictly covers all the JEDEC criteria (international standard).

6.3.8 I/O port pin characteristics

General characteristics

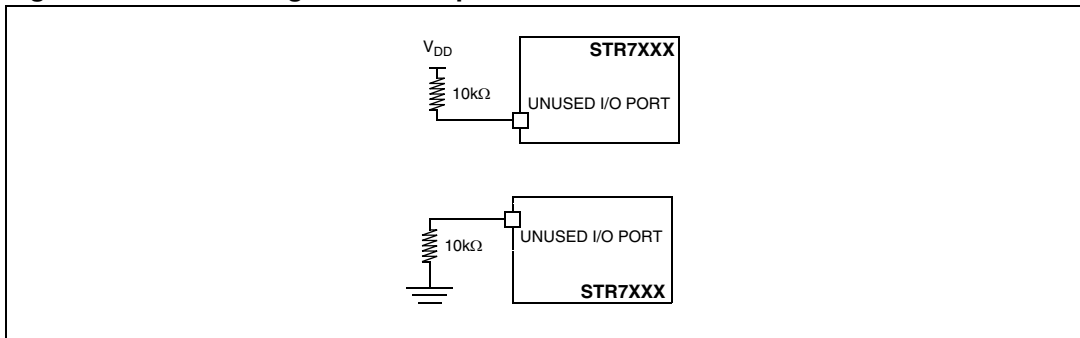
Subject to general operating conditions for V_{DD_IO} and T_A unless otherwise specified.

Table 32. General characteristics

| I/O static characteristics | | | | | | | |
|--------------------------------------|--|---|-----------------------------|-----|----------|---------------|------------|
| Symbol | Parameter | Conditions | Min | Typ | Max | Unit | |
| V_{IL} | Input low level voltage | TTL ports | | | 0.8 | V | |
| V_{IH} | Input high level voltage | | 2 | | | | |
| V_{hys} | Schmitt trigger voltage hysteresis ⁽¹⁾ | | | 400 | | mV | |
| $I_{INJ(PIN)}$ | Injected Current on any I/O pin | | | | ± 4 | mA | |
| $\Sigma I_{INJ(PIN)}$ ⁽²⁾ | Total injected current (sum of all I/O and control pins) | | | | ± 25 | | |
| I_{lkg} | Input leakage current on robust pins | See Section 6.3.12 on page 72 | | | | | |
| | Input leakage current ⁽³⁾ | $V_{SS} \leq V_{IN} \leq V_{DD_IO}$ | | | ± 1 | μA | |
| I_S | Static current consumption ⁽⁴⁾ | Floating input mode | | 200 | | | |
| R_{PU} | Weak pull-up equivalent resistor ⁽⁵⁾ | $V_{IN} = V_{SS}$ | $V_{DD_IO} = 3.3\text{ V}$ | 50 | 95 | 200 | k Ω |
| | | | $V_{DD_IO} = 5\text{ V}$ | 20 | 58 | 150 | k Ω |
| R_{PD} | Weak pull-down equivalent resistor ⁽⁵⁾ | $V_{IN} = V_{DD_IO}$ | $V_{DD_IO} = 3.3\text{ V}$ | 25 | 80 | 180 | k Ω |
| | | | $V_{DD_IO} = 5\text{ V}$ | 20 | 50 | 120 | k Ω |
| C_{IO} | I/O pin capacitance | | | 5 | | pF | |
| $t_{w(IT)in}$ | External interrupt/wake-up lines pulse time ⁽⁶⁾ | | 2 | | | T_{AP} B | |

- Hysteresis voltage between Schmitt trigger switching levels.
- When the current limitation is not possible, the V_{IN} absolute maximum rating must be respected, otherwise refer to $I_{INJ(PIN)}$ specification. A positive injection is induced by $V_{IN} > V_{DD_IO}$ while a negative injection is induced by $V_{IN} < V_{SS}$. Refer to [Section 6.2 on page 32](#) for more details.
- Leakage could be higher than max. if negative current is injected on adjacent pins.
- Configuration not recommended, all unused pins must be kept at a fixed voltage: using the output mode of the I/O for example or an external pull-up or pull-down resistor (see [Figure 25](#)). Data based on design simulation and/or technology characteristics, not tested in production.
- The R_{PU} pull-up and R_{PD} pull-down equivalent resistor are based on a resistive transistor.
- To generate an external interrupt, a minimum pulse width has to be applied on an I/O port pin configured as an external interrupt source.

Figure 25. Connecting unused I/O pins



Output driving current

The GP I/Os have different drive capabilities:

- O2 outputs can sink or source up to +/-2 mA.
- O4 outputs can sink or source up to +/-4 mA.
- outputs can sink or source up to +/-8 mA or can sink +20 mA (with a relaxed V_{OL}).

In the application, the user must limit the number of I/O pins which can drive current to respect the absolute maximum rating specified in [Section 6.2.2](#) :

- The sum of the current sourced by all the I/Os on V_{DD_IO} , plus the maximum RUN consumption of the MCU sourced on V_{DD_IO} , can not exceed the absolute maximum rating $I_{V_{DD_IO}}$.
- The sum of the current sunk by all the I/Os on V_{SS_IO} plus the maximum RUN consumption of the MCU sunk on V_{SS_IO} can not exceed the absolute maximum rating $I_{V_{SS_IO}}$.

Subject to general operating conditions for V_{DD_IO} and T_A unless otherwise specified.

Table 33. Output driving current

| I/O Output drive characteristics for V _{DD_IO} = 3.0 to 3.6 V and EN33 bit =1 or V _{DD_IO} = 4.5 to 5.5 V and EN33 bit =0 | | | | | | |
|---|--------------------------------|--|--|-------------------------|------------|------|
| I/O Type | Symbol | Parameter | Conditions | Min | Max | Unit |
| O2 | V _{OL} ⁽¹⁾ | Output low level voltage for a standard I/O pin when 8 pins are sunk at same time | I _{IO} =+2 mA | | 0.4 | V |
| | V _{OH} ⁽²⁾ | Output high level voltage for an I/O pin when 4 pins are sourced at same time | I _{IO} =-2 mA | V _{DD_IO} -0.8 | | |
| O4 | V _{OL} ⁽¹⁾ | Output low level voltage for a standard I/O pin when 8 pins are sunk at same time | I _{IO} =+4 mA | | 0.4 | |
| | V _{OH} ⁽²⁾ | Output high level voltage for an I/O pin when 4 pins are sourced at same time | I _{IO} =-4 mA | V _{DD_IO} -0.8 | | |
| O8 | V _{OL} ⁽¹⁾ | Output low level voltage for a standard I/O pin when 8 pins are sunk at same time | I _{IO} =+8 mA | | 0.4 | |
| | | Output low level voltage for a high sink I/O pin when 4 pins are sunk at same time | I _{IO} =+20 mA, T _A ≤85°C | | 1.3 1.5 | |
| | | | I _{IO} =+8 mA | | 0.4 | |
| | V _{OH} ⁽²⁾ | Output high level voltage for an I/O pin when 4 pins are sourced at same time | I _{IO} =-8 mA | V _{DD_IO} -0.8 | | |

1. The I_{IO} current sunk must always respect the absolute maximum rating specified in [Section 6.2.2](#) and the sum of I_{IO} (I/O ports and control pins) must not exceed I_{VSS_IO}.
2. The I_{IO} current sourced must always respect the absolute maximum rating specified in [Section 6.2.2](#) and the sum of I_{IO} (I/O ports and control pins) must not exceed I_{VDD_IO}.

Output speed

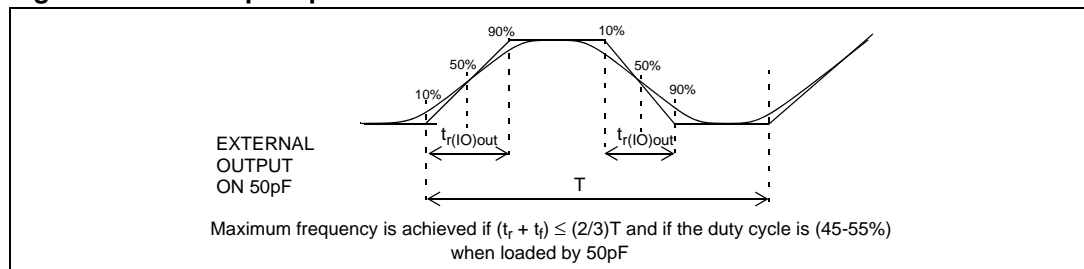
Subject to general operating conditions for V_{DD_IO} and T_A unless otherwise specified.

Table 34. Output speed

| I/O dynamic characteristics for $V_{DD_IO} = 3.0$ to $3.6V$ and EN33 bit =1 or $V_{DD_IO} = 4.5$ to $5.5V$ and EN33 bit =0 | | | | | | | |
|--|-------------------|---|------------------------------------|-----|-----|-----|------|
| I/O Type | Symbol | Parameter | Conditions | Min | Typ | Max | Unit |
| O2 | $f_{max(I/O)out}$ | Maximum Frequency ⁽¹⁾ | $C_L=50$ pF | | | 10 | MHz |
| | $t_{f(I/O)out}$ | Output high to low level fall time ⁽²⁾ | $C_L=50$ pF Between 10% and 90% | | | 30 | ns |
| | $t_{r(I/O)out}$ | Output low to high level rise time ⁽²⁾ | | | | 33 | |
| O4 | $f_{max(I/O)out}$ | Maximum Frequency ⁽¹⁾ | $C_L=50$ pF | | | 25 | MHz |
| | $t_{f(I/O)out}$ | Output high to low level fall time ⁽²⁾ | $C_L=50$ pF Between 10% and 90% | | | 12 | ns |
| | $t_{r(I/O)out}$ | Output low to high level rise time ⁽²⁾ | | | | 14 | |
| O8 | $f_{max(I/O)out}$ | Maximum Frequency ⁽¹⁾ | $C_L=50$ pF | | | 40 | MHz |
| | $t_{f(I/O)out}$ | Output high to low level fall time ⁽²⁾ | $C_L=50$ pF Between 10% and 90% | | | 6 | ns |
| | $t_{r(I/O)out}$ | Output low to high level rise time ⁽²⁾ | | | | 6 | |

1. The maximum frequency is defined as described in [Figure 26](#).
2. Data based on product characterisation, not tested in production.

Figure 26. I/O output speed definition



NRSTIN and NRSTOUT pins

NRSTIN Pin Input Driver is TTL/LVTTL as for all GP I/Os. A permanent pull-up is present which is the same as R_{PU} (see : [General characteristics on page 54](#))

NRSTOUT Pin Output Driver is equivalent to the O2 type driver except that it works only as an open-drain (the P-MOS is de-activated). A permanent pull-up is present which is the same as R_{PU} (see : [General characteristics on page 54](#))

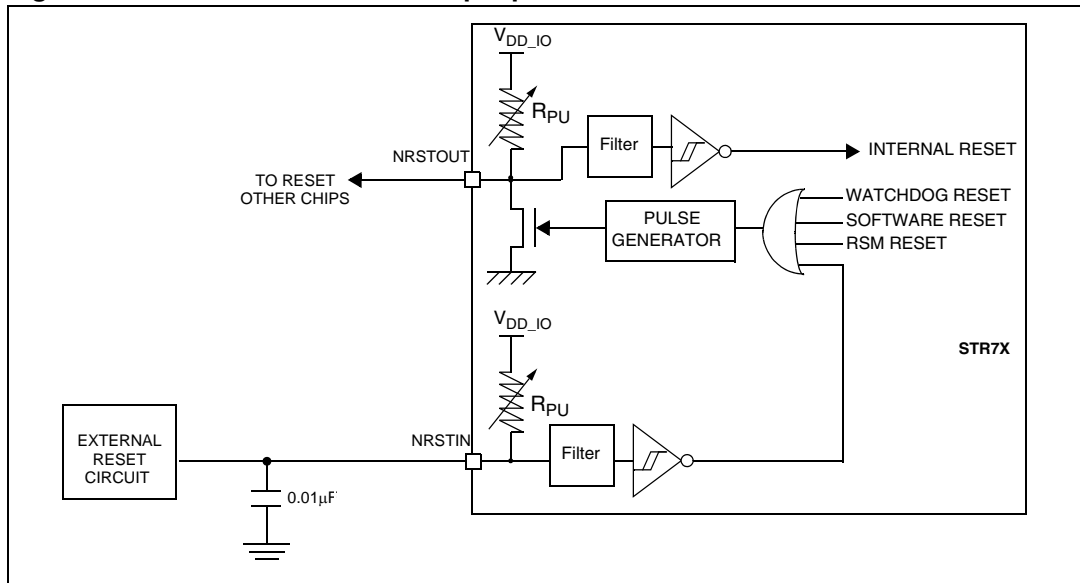
Subject to general operating conditions for V_{DD_IO} and T_A unless otherwise specified.

Table 35. NRSTIN and NRSTOUT pins

| Symbol | Parameter | Conditions | Min | Typ ¹⁾ | Max | Unit |
|-------------------|--|--|-----|-------------------|-----|------------|
| $V_{IL(NRSTIN)}$ | NRSTIN Input low level voltage ⁽¹⁾ | | | | 0.8 | V |
| $V_{IH(NRSTIN)}$ | NRSTIN Input high level voltage ⁽¹⁾ | | 2 | | | |
| $V_{hys(NRSTIN)}$ | NRSTIN Schmitt trigger voltage hysteresis ⁽²⁾ | | | 400 | | mV |
| $V_{OL(NRSTIN)}$ | NRSTOUT Output low level voltage ⁽³⁾ | $I_{IO}=+2$ mA | | | 0.4 | V |
| $R_{PU(NRSTIN)}$ | NRSTIN Weak pull-up equivalent resistor ⁽⁴⁾ | $V_{IN}=V_{SS}$ $V_{DD_IO}=3.3$ V | 25 | 50 | 100 | k Ω |
| | | $V_{IN}=V_{SS}$ $V_{DD_IO}=5$ V | 20 | 31 | 100 | k Ω |
| $t_{w(RSTL)out}$ | Generated reset pulse duration (visible at NRSTOUT pin) ⁽⁵⁾ | Internal reset source | 15 | 20 | | μ s |
| $t_{h(RSTL)in}$ | External reset pulse hold time at NRSTIN pin ⁽⁶⁾ | At V_{DD_IO} power-up ⁽⁵⁾ | 20 | | | μ s |
| | | When V_{DD_IO} is established ⁽⁵⁾ | 1 | | | μ s |
| $t_{g(RSTL)in}$ | maximum negative spike duration filtered at NRSTIN pin ⁽⁷⁾ | The time between two spikes must be higher than 1/2 of the spike duration. | | 150 | | ns |

1. Data based on product characterisation, not tested in production.
2. Hysteresis voltage between Schmitt trigger switching levels.
3. The I_{IO} current sunk must always respect the absolute maximum rating specified in [Section 6.2.2](#) and the sum of I_{IO} (I/O ports and control pins) must not exceed I_{VSS} .
4. The R_{PU} pull-up equivalent resistor are based on a resistive transistor
5. To guarantee the reset of the device, a minimum pulse of 15 μ s has to be applied to the internal reset. At V_{DD_IO} power-up, the built-in reset stretcher may not generate the 15 μ s pulse duration while once V_{DD_IO} is established, an external reset pulse will be internally stretched up to 15 μ s thanks to the reset pulse stretcher.
6. The reset network (the resistor and two capacitors) protects the device against parasitic resets, especially in noisy environments.
7. In fact the filter is made to ignore all incoming pulses with short duration:
 - all negative spikes with a duration less than 150 ns are filtered
 - all trains of negative spikes with a ratio of 1/2 are filtered. This means that all spikes with a maximum duration of 150 ns with minimum interval between spikes of 75 ns are filtered.
 Data guaranteed by design, not tested in production.

Figure 27. Recommended NRSTIN pin protection



1. The user must ensure that the level on the NRSTIN pin can go below the $V_{IL(NRSTIN)}$ max. level specified in [NRSTIN and NRSTOUT pins on page 58](#). Otherwise the reset will not be taken into account internally.

6.3.9 TB and TIM timer characteristics

Subject to general operating conditions for V_{DD_IO} , f_{CK_SYS} , and T_A unless otherwise specified.

Refer to [Section 6.3.8: I/O port pin characteristics on page 54](#) for more details on the input/output alternate function characteristics (output compare, input capture, external clock, PWM output...).

Table 36. TB and TIM timers

| Symbol | Parameter | Conditions | Min | Typ | Max | Unit | | |
|------------------|--|------------|---|---------------------|-----|-----------------|---------------|---------------|
| $t_{w(ICAP)in}$ | Input capture pulse time | TIM0,1,2 | 2 | | | t_{CK_TIM} | | |
| $t_{res(TIM)}$ | Timer resolution time ⁽¹⁾ | TB | $f_{CK_TIM(MAX)} = f_{CK_SYS}$ | 1 | | | t_{CK_TIM} | |
| | | | $f_{CK_TIM} = f_{CK_SYS} = 60\text{ MHz}$ | 16.6 ⁽¹⁾ | | | ns | |
| | | TIM0,1,2 | $f_{CK_TIM(MAX)} = f_{CK_SYS}$ | 1 | | | t_{CK_TIM} | |
| | | | $f_{CK_TIM} = f_{CK_SYS} = 60\text{ MHz}$ | 16.6 ⁽¹⁾ | | | ns | |
| f_{EXT} | Timer external clock frequency on TI1 or TI2 | TIM0,1,2 | $f_{CK_TIM(MAX)} = f_{CK_SYS}$ | 0 | | $f_{CK_TIM}/4$ | MHz | |
| | | | $f_{CK_TIM} = f_{CK_SYS} = 60\text{ MHz}$ | 0 | | 15 | MHz | |
| Res_{TIM} | Timer resolution | | | | 16 | bit | | |
| $t_{COUNTER}$ | 16-bit Counter clock period when internal clock is selected (16-bit Prescaler) | TB | | 1 | | 65536 | t_{CK_TIM} | |
| | | | $f_{CK_TIM} = f_{CK_SYS} = 60\text{ MHz}$ | 0.0166 | | 1092 | μs | |
| | | TIM0,1,2 | | 1 | | 65536 | t_{CK_TIM} | |
| | | | $f_{CK_TIM} = f_{CK_SYS} = 60\text{ MHz}$ | 0.0166 | | 1092 | μs | |
| t_{MAX_COUNT} | Maximum Possible Count | TB | | | | 65536x65536 | t_{CK_TIM} | |
| | | | $f_{CK_TIM} = f_{CK_SYS} = 60\text{ MHz}$ | | | 71.58 | s | |
| | | TIM0,1,2 | | | | | 65536x65536 | t_{CK_TIM} |
| | | | $f_{CK_TIM} = f_{CK_SYS} = 60\text{ MHz}$ | | | 71.58 | s | |

1. Take into account the frequency limitation due to the I/O speed capability when outputting the PWM to I/O pin, described in : [Output speed on page 57](#).

Table 37. PWM Timer (PWM)

| Symbol | Parameter | Conditions | Min | Typ | Max | Unit |
|------------------|--|---|---------------------|-------------------|-----------------|---------------|
| $t_{res(PWM)}$ | PWM resolution time | $f_{CK_TIM(MAX)} = f_{CK_SYS}$ | 1 | | | t_{CK_TIM} |
| | | $f_{CK_TIM} = f_{CK_SYS} = 60\text{ MHz}$ | 16.6 ⁽¹⁾ | | | ns |
| Res_{PWM} | PWM resolution | | | | 16 | bit |
| $V_{OS}^{(1)}$ | PWM/DAC output step voltage | $V_{DD_IO}=3.3\text{ V}$, Res=16-bits | | 50 ⁽¹⁾ | | μV |
| | | $V_{DD_IO}=5.0\text{ V}$, Res=16-bits | | 76 ⁽¹⁾ | | μV |
| $t_{COUNTER}$ | Timer clock period when internal clock is selected | | 1 | | 65536 | t_{CK_TIM} |
| | | $f_{CK_TIM}=60\text{ MHz}$ | 0.0166 | | 1087 | μs |
| t_{MAX_COUNT} | Maximum Possible Count | | | | 65536x 65536 | t_{CK_TIM} |
| | | $f_{CK_TIM} = f_{CK_SYS} = 60\text{ MHz}$ | | | 71.58 | s |

1. Take into account the frequency limitation due to the I/O speed capability when outputting the PWM to an I/O pin, as described in : [Output speed on page 57](#).

6.3.10 Communication interface characteristics

SSP synchronous serial peripheral in master mode (SPI or TI mode)

General operating conditions: V_{33} , 3.0V to 3.3V, $V_{18} = 1.8V$, $C_L \approx 45$ pF.

Table 38. SSP master mode characteristics⁽¹⁾

| Symbol | Parameter | Conditions | Min | Max | Unit |
|--------------------------------|--|------------|------|-------------------|------|
| f_{SCK} | SPI clock frequency ⁽²⁾ | SSP0 | | 16 | MHz |
| | | SSP1 | | 8 | |
| $t_{r(SCK)}$ | SPI clock rise time | SSP0 | | 14 | ns |
| | | SSP1 | | 33 | |
| $t_{f(SCK)}$ | SPI clock fall time | SSP0 | | 11 | |
| | | SSP1 | | 30 | |
| $t_{w(SCKH)}$ $t_{w(SCKL)}$ | SCK high and low time | SSP0 | | 19 | |
| | | SSP1 | | 30 | |
| t_{NSSLQV} | NSS low to Data Output MOSI valid time | SSP0 | | $0.5t_{SCK}+15ns$ | |
| | | SSP1 | | $0.5t_{SCK}+30ns$ | |
| $t_{SCKNSSH}$ | SCK last edge to NSS high | CPHA = 0 | SSP0 | $0.5t_{SCK}+15ns$ | |
| | | | SSP1 | $0.5t_{SCK}+30ns$ | |
| | | CPHA = 1 | SSP0 | $t_{SCK}+15ns$ | |
| | | | SSP1 | $t_{SCK}+30ns$ | |
| t_{SCKQV} | SCK trigger edge to data output MOSI valid time | SSP0 | | 15 | |
| | | SSP1 | | 30 | |
| t_{SCKQX} | SCK trigger edge to data output MOSI invalid time | SSP0 | 0 | | |
| | | SSP1 | 0 | | |
| t_{su} | Data input (MISO) setup time w.r.t SCK sampling edge | SSP0 | 25 | | |
| | | SSP1 | 25 | | |
| t_h | Data input (MISO) hold time w.r.t SCK sampling edge | SSP0 | 0 | | |
| | | SSP1 | 0 | | |

1. Data based on characterisation results, not tested in production.

2. Max frequency for the 2 SSPs is $f_{PCLK}/2$; f_{PCLK} max = 32 MHz. This takes into account the frequency limitation due to I/O speed capability. SSP0 uses IO4 type while SSP1 uses IO2 type I/Os.

Figure 28. SPI configuration - master mode, single transfer

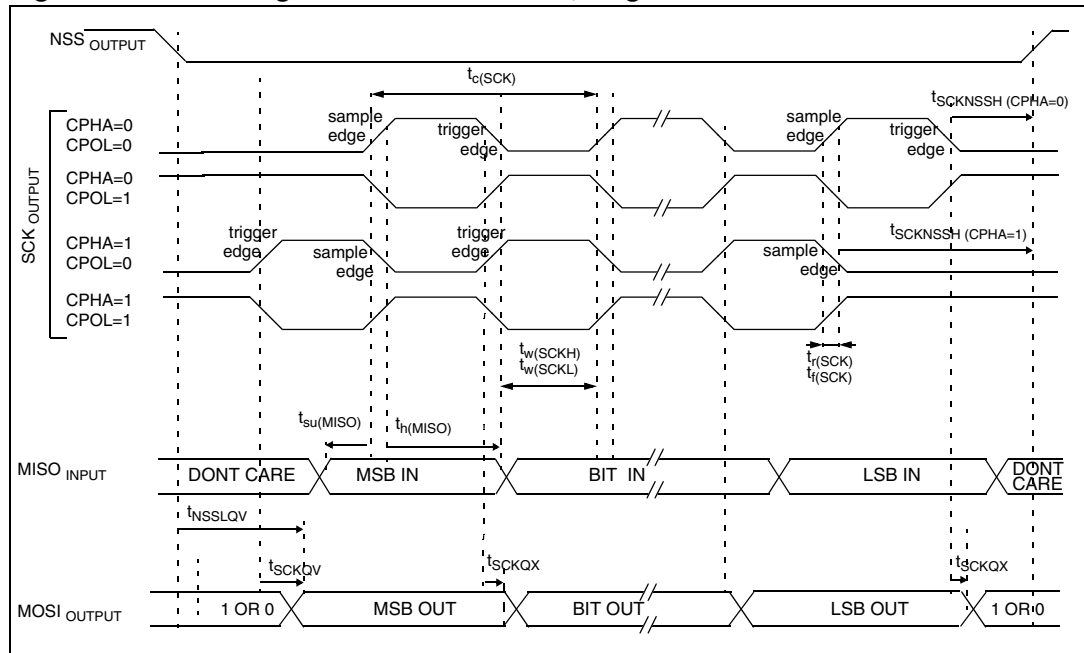


Figure 29. SPI configuration - master mode, continuous transfer, CPHA=0

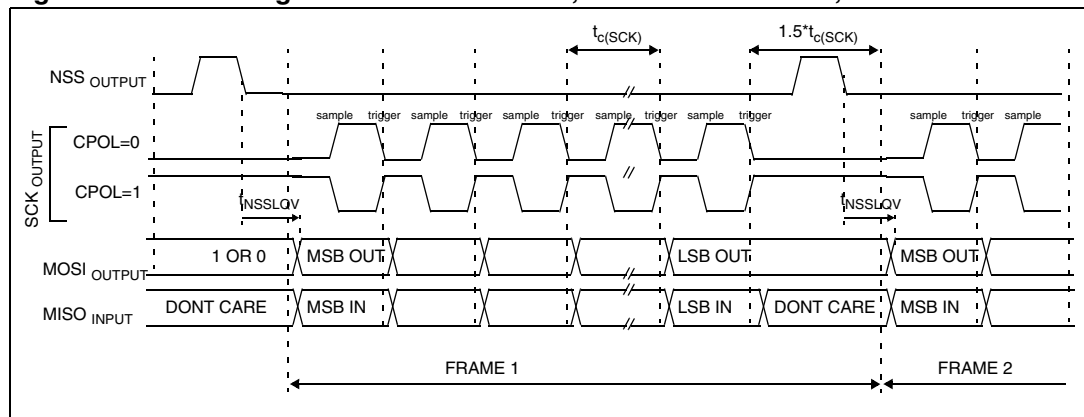


Figure 30. SPI configuration - master mode, continuous transfer, CPHA=1

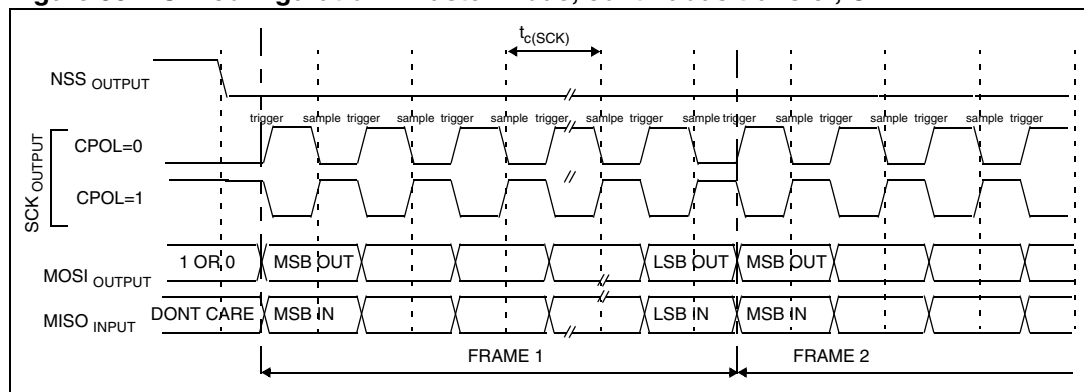


Figure 31. TI configuration - master mode, single transfer

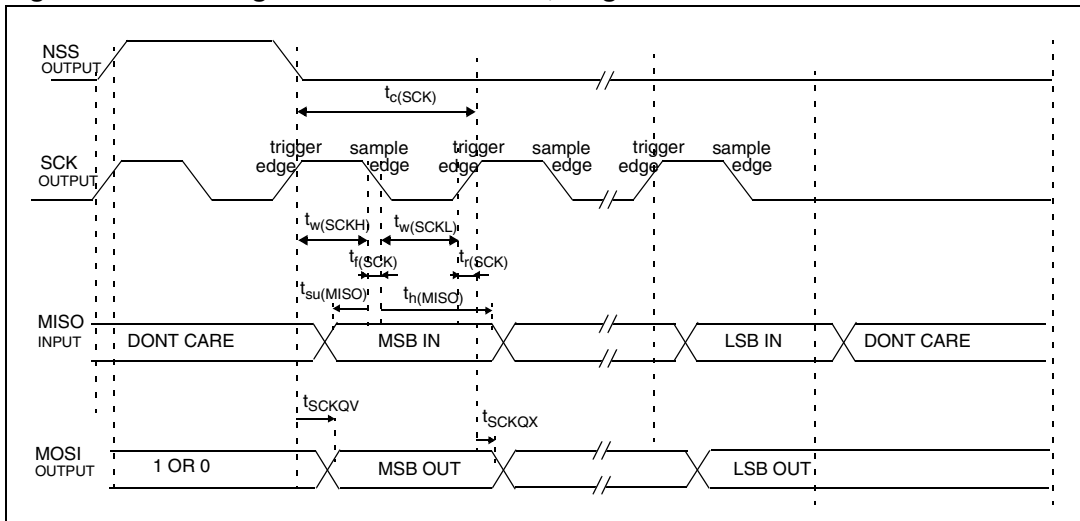
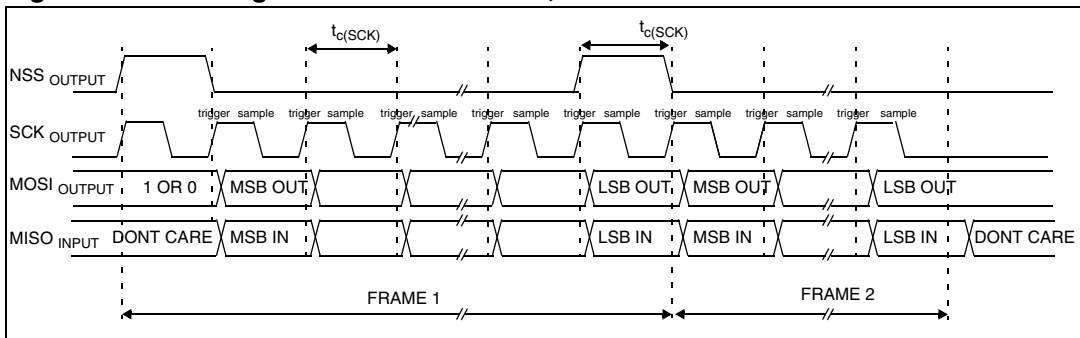


Figure 32. TI configuration - master mode, continuous transfer



SSP synchronous serial peripheral in slave mode (SPI or TI mode)

Subject to general operating conditions with $C_L \approx 45$ pF

Table 39. SSP slave mode characteristics⁽¹⁾

| Symbol | Parameter | Conditions | Min | Max | Unit |
|----------------|---|------------|-------------------|-------------------------------|------|
| f_{SCK} | SPI clock frequency | SSP0 | | 2.66 MHz ($f_{PCLK}/12$) | MHz |
| | | SSP1 | | | |
| $t_{su(NSS)}$ | NSS input setup time w.r.t SCK first edge | SSP0 | 0 | | ns |
| | | SSP1 | 0 | | |
| $t_{h(NSS)}$ | NSS input hold time w.r.t SCK last edge | SSP0 | $t_{PCLK}+15$ ns | | |
| | | SSP1 | $t_{PCLK}+15$ ns | | |
| t_{NSSLQV} | NSS low to Data Output MISO valid time | SSP0 | $2t_{PCLK}$ | $3t_{PCLK}+30$ ns | |
| | | SSP1 | $2t_{PCLK}$ | $3t_{PCLK}+30$ ns | |
| t_{NSSLQZ} | NSS low to Data Output MISO invalid time | SSP0 | $2t_{PCLK}$ | $3t_{PCLK}+15$ ns | |
| | | SSP1 | $2t_{PCLK}$ | $3t_{PCLK}+15$ ns | |
| t_{SCKQV} | SCK trigger edge to data output MISO valid time | SSP0 | | 15 | |
| | | SSP1 | | 30 | |
| t_{SCKQX} | SCK trigger edge to data output MISO invalid time | SSP0 | $2t_{PCLK}$ | | |
| | | SSP1 | $2t_{PCLK}$ | | |
| $t_{su(MOSI)}$ | MOSI setup time w.r.t SCK sampling edge | SSP0 | 0 | | |
| | | SSP1 | 0 | | |
| $t_{h(MOSI)}$ | MOSI hold time w.r.t SCK sampling edge | SSP0 | $3t_{PCLK}+15$ ns | | |
| | | SSP1 | $3t_{PCLK}+15$ ns | | |

1. Data based on characterisation results, not tested in production.

Figure 33. SPI configuration, slave mode with CPHA=0, single transfer

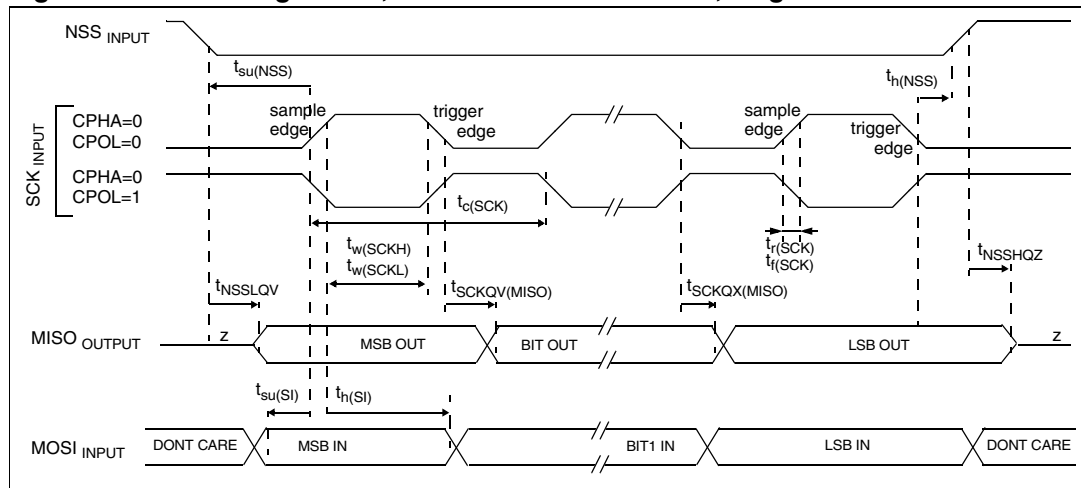


Figure 34. SPI configuration - slave mode with CPHA=0, continuous transfer

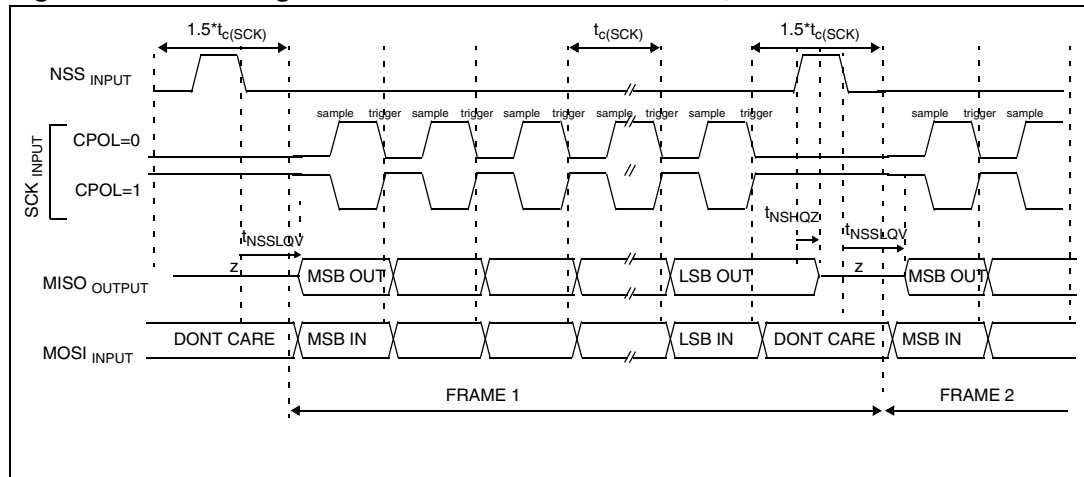


Figure 35. SPI configuration, slave mode with CPHA=1, single transfer

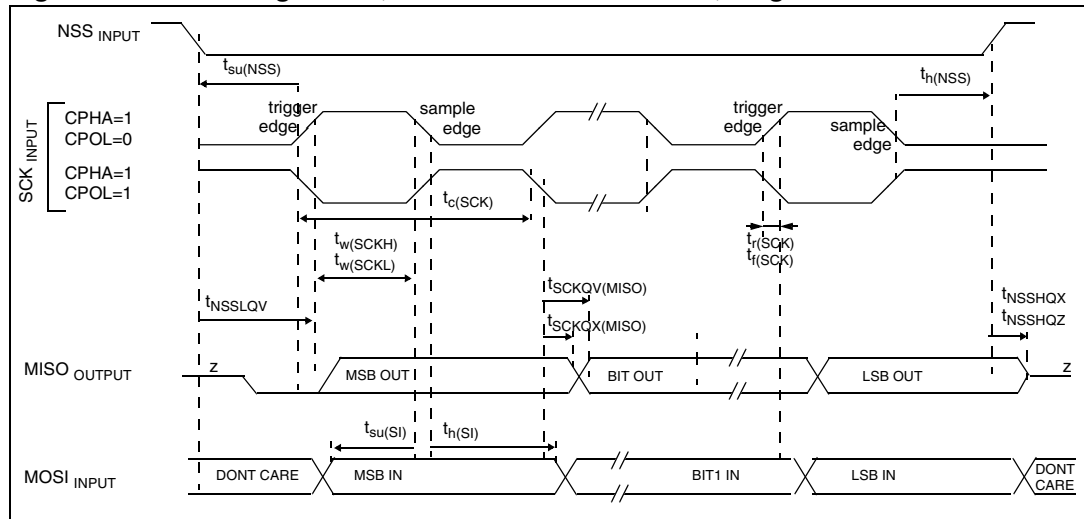


Figure 36. SPI configuration - slave mode with CPHA=1, continuous transfer

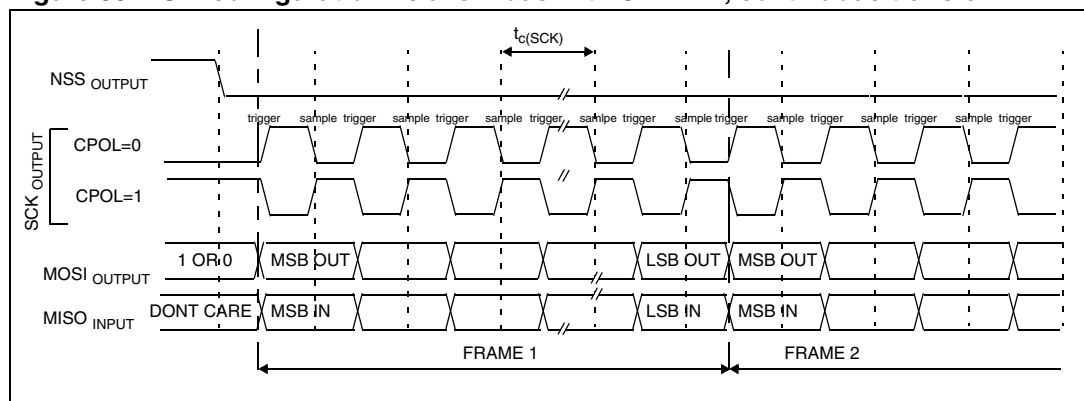


Figure 37. TI configuration - slave mode, single transfer

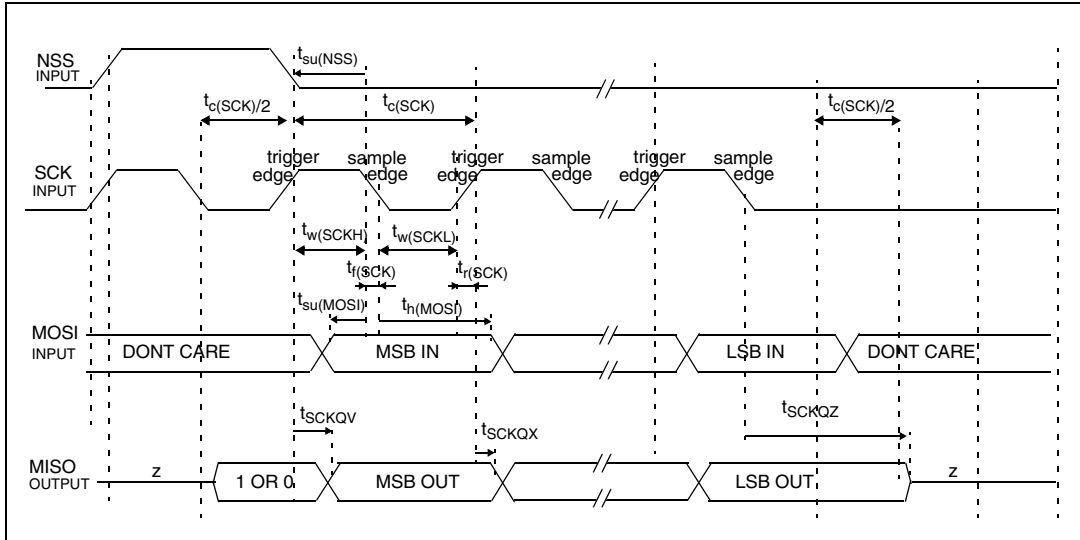
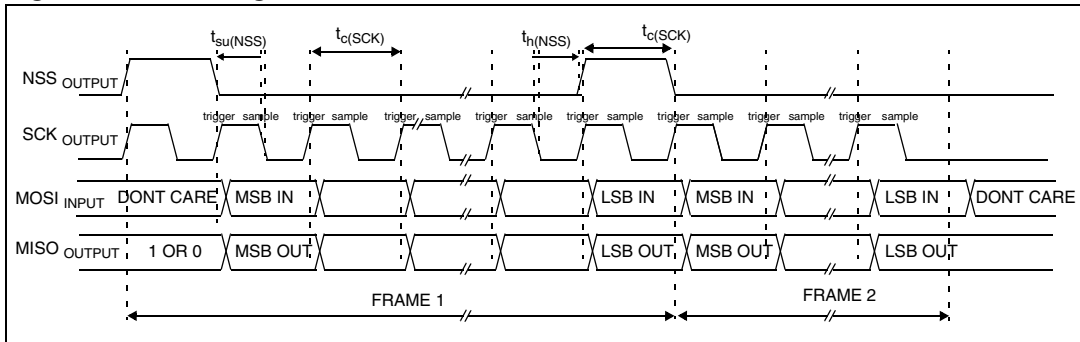


Figure 38. TI configuration - slave mode, continuous transfer



SMI - serial memory interface

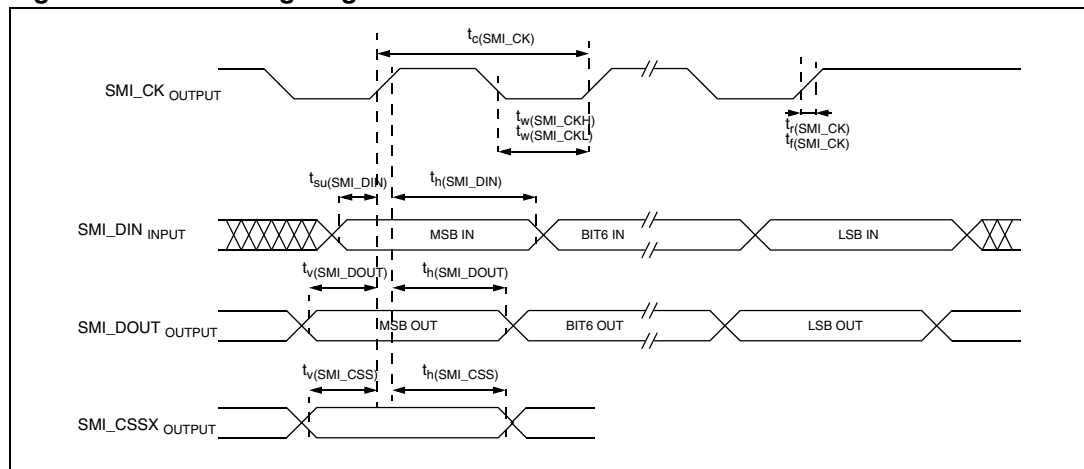
Subject to general operating conditions with $C_L \approx 30$ pF.

Table 40. SMI characteristics⁽¹⁾

| Symbol | Parameter | Min | Max | Unit |
|--------------------|------------------------|-----|----------------------|------|
| f_{SMI_CK} | SMI clock frequency | | 32 ⁽²⁾⁽³⁾ | MHz |
| | | | 48 ⁽⁴⁾ | |
| $t_{r(SMI_CK)}$ | SMI clock rise time | | 10 | ns |
| $t_{f(SMI_CK)}$ | SMI clock fall time | | 8 | |
| $t_{v(SMI_DOUT)}$ | Data output valid time | | 10 | |
| $t_{h(SMI_DOUT)}$ | Data output hold time | | 0 | |
| $t_{v(SMI_CSSx)}$ | CSS output valid time | | 10 | |
| $t_{h(SMI_CSSx)}$ | CSS output hold time | | 0 | |
| $t_{su(SMI_DIN)}$ | Data input setup time | 0 | | |
| $t_{h(SMI_DIN)}$ | Data input hold time | 5 | | |

1. Data based on characterisation results, not tested in production.
2. Max. frequency = $f_{PCLK}/2 = 64/2 = 32$ MHz.
3. Valid for all temperature ranges: -40 to 105 °C, with 30 pF load capacitance.
4. Valid up to 60 °C, with 10 pF load capacitance.

Figure 39. SMI timing diagram



I²C - Inter IC control interface

Subject to general operating conditions for V_{DD_IO} , f_{PCLK} , and T_A unless otherwise specified.

The I²C interface meets the requirements of the Standard I²C communication protocol described in the following table with the restriction mentioned below:

Restriction: The I/O pins which SDA and SCL are mapped to are not “True” Open-Drain: when configured as open-drain, the PMOS connected between the I/O pin and V_{DD_IO} is disabled, but it is still present. Also, there is a protection diode between the I/O pin and V_{DD_IO} . Consequently, when using this I²C in a multi-master network, it is

not possible to power off the STR7x while some another I²C master node remains powered on: otherwise, the STR7x will be powered by the protection diode.

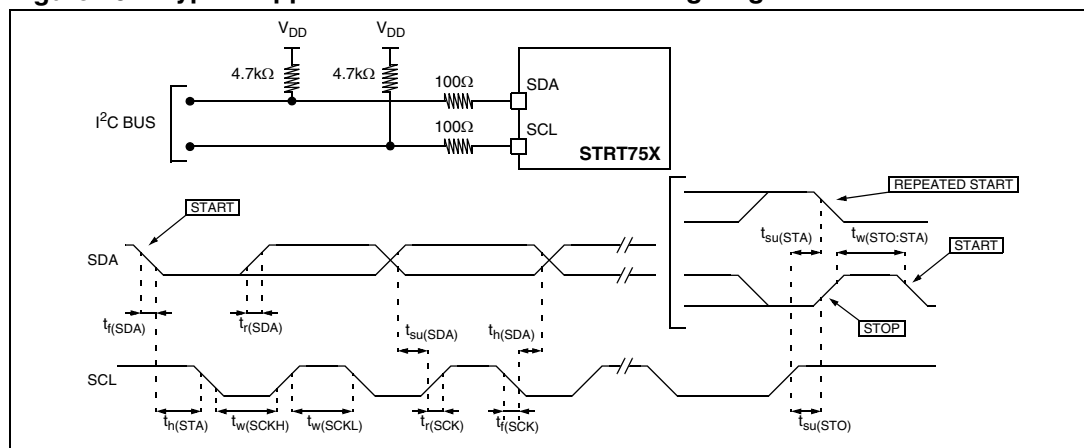
Refer to I/O port characteristics for more details on the input/output alternate function characteristics (SDA and SCL).

Table 41. SDA and SCL characteristics

| Symbol | Parameter | Standard mode I ² C | | Fast mode I ² C ⁽¹⁾ | | Unit |
|--|---|--------------------------------|--------------------|---|--------------------|------|
| | | Min ⁽²⁾ | Max ⁽²⁾ | Min ⁽²⁾ | Max ⁽²⁾ | |
| t _{w(SCLL)} | SCL clock low time | 4.7 | | 1.3 | | μs |
| t _{w(SCLH)} | SCL clock high time | 4.0 | | 0.6 | | |
| t _{su(SDA)} | SDA setup time | 250 | | 100 | | ns |
| t _{h(SDA)} | SDA data hold time | 0 ⁽³⁾ | | 0 ⁽⁴⁾ | 900 ⁽³⁾ | |
| t _{r(SDA)} t _{r(SCL)} | SDA and SCL rise time | | 1000 | 20+0.1C _b | 300 | |
| t _{f(SDA)} t _{f(SCL)} | SDA and SCL fall time | | 300 | 20+0.1C _b | 300 | |
| t _{h(STA)} | START condition hold time | 4.0 | | 0.6 | | μs |
| t _{su(STA)} | Repeated START condition setup time | 4.7 | | 0.6 | | |
| t _{su(STO)} | STOP condition setup time | 4.0 | | 0.6 | | μs |
| t _{w(STO:STA)} | STOP to START condition time (bus free) | 4.7 | | 1.3 | | μs |
| C _b | Capacitive load for each bus line | | 400 | | 400 | pF |

1. f_{CLK}, must be at least 8 MHz to achieve max fast I²C speed (400 kHz).
2. Data based on standard I²C protocol requirement, not tested in production.
3. The maximum hold time t_{h(SDA)} is not applicable
4. The device must internally provide a hold time of at least 300 ns for the SDA signal in order to bridge the undefined region of the falling edge of SCL.

Figure 40. Typical application with I²C bus and timing diagram



1. Measurement points are done at CMOS levels: 0.3xV_{DD} and 0.7xV_{DD}.

6.3.11 USB characteristics

The USB interface is USB-IF certified (Full Speed).

Table 42. USB startup time

| Symbol | Parameter | Conditions | Max | Unit |
|---------------|------------------------------|------------|-----|---------|
| $t_{STARTUP}$ | USB transceiver startup time | | 1 | μs |

Table 43. USB characteristics

| USB DC Electrical Characteristics | | | | | |
|-----------------------------------|---------------------------------|---|------------------------|------------------------|------|
| Symbol | Parameter | Conditions | Min. ⁽¹⁾⁽²⁾ | Max. ⁽¹⁾⁽²⁾ | Unit |
| Input Levels | | | | | |
| V_{DI} | Differential Input Sensitivity | I(DP, DM) | 0.2 | | V |
| V_{CM} | Differential Common Mode Range | Includes V_{DI} range | 0.8 | 2.5 | |
| V_{SE} | Single Ended Receiver Threshold | | 1.3 | 2.0 | |
| Output Levels | | | | | |
| V_{OL} | Static Output Level Low | R_L of 1.5 k Ω to 3.6V ⁽³⁾ | | 0.3 | V |
| V_{OH} | Static Output Level High | R_L of 15 k Ω to V_{SS} ⁽³⁾ | 2.8 | 3.6 | |

1. All the voltages are measured from the local ground potential.
2. It is important to be aware that the DP/DM pins are not 5 V tolerant. As a consequence, in case of a a shortcut with Vbus (typ: 5.0V), the protection diodes of the DP/DM pins will be direct biased . This will not damage the device if not more than 50 mA is sunk for longer than 24 hours but the reliability may be affected.
3. R_L is the load connected on the USB drivers

Figure 41. USB: data signal rise and fall time

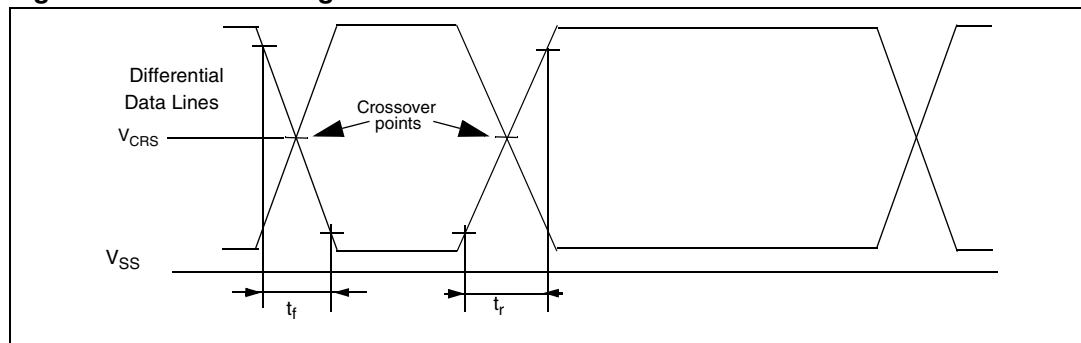


Table 44. USB: Full speed electrical characteristics

| Symbol | Parameter | Conditions | Min | Max | Unit |
|-------------------------|--------------------------|-------------|-----|-----|------|
| Driver characteristics: | | | | | |
| t_r | Rise time ⁽¹⁾ | $C_L=50$ pF | 4 | 20 | ns |
| t_f | Fall Time ⁽¹⁾ | $C_L=50$ pF | 4 | 20 | ns |

Table 44. USB: Full speed electrical characteristics

| Symbol | Parameter | Conditions | Min | Max | Unit |
|-----------|---------------------------------|------------|-----|-----|------|
| t_{rfm} | Rise/ Fall Time matching | t_r/t_f | 90 | 110 | % |
| V_{CRS} | Output signal Crossover Voltage | | 1.3 | 2.0 | V |

1. Measured from 10% to 90% of the data signal. For more detailed informations, please refer to USB Specification - Chapter 7 (version 2.0).

6.3.12 10-bit ADC characteristics

Subject to general operating conditions for V_{DDA_ADC} , f_{PCLK} , and T_A unless otherwise specified.

Table 45. 10-bit ADC characteristics

| Symbol | Parameter | Conditions | Min | Typ ⁽¹⁾ | Max | Unit |
|------------|--|--|--|--------------------|----------------|-------------|
| f_{ADC} | ADC clock frequency | | 0.4 | | 8 | MHz |
| V_{AIN} | Conversion voltage range ⁽²⁾ | | V_{SSA_ADC} | | V_{DDA_ADC} | V |
| R_{AIN} | External input impedance ⁽³⁾⁽⁴⁾ | | | | 10 | k Ω |
| C_{AIN} | External capacitor on analog input ⁽³⁾⁽⁴⁾ | | | | 6.8 | pF |
| I_{lkg} | Induced input leakage current | +400 μ A injected on any pin | | | 1 | μ A |
| | | -400 μ A injected on any pin except specific adjacent pins in Table 46 | | | 1 | μ A |
| | | -400 μ A injected on specific adjacent pins in Table 46 | | 40 | | μ A |
| C_{ADC} | Internal sample and hold capacitor | | | 3.5 | | pF |
| t_{CAL} | Calibration Time | $f_{CK_ADC}=8$ MHz | 725.25 | | | μ s |
| | | | 5802 | | | $1/f_{ADC}$ |
| t_{CONV} | Total Conversion time (including sampling time) | $f_{CK_ADC}=8$ MHz | 3.75 | | | μ s |
| | | | 30 (11 for sampling + 19 for Successive Approximation) | | | $1/f_{ADC}$ |
| I_{ADC} | | Sunk on V_{DDA_ADC} | | 3.7 | | mA |

1. Unless otherwise specified, typical data are based on $T_A=25^\circ\text{C}$. They are given only as design guidelines and are not tested.
2. Calibration is needed once after each power-up.
3. $C_{PARASITIC}$ represents the capacitance of the PCB (dependent on soldering and PCB layout quality) plus the pad capacitance (3 pF). A high $C_{PARASITIC}$ value will downgrade conversion accuracy. To remedy this, f_{ADC} should be reduced.
4. Depending on the input signal variation (f_{AIN}), C_{AIN} can be increased for stabilization time and reduced to allow the use of a larger serial resistor (R_{AIN}). It is valid for all f_{ADC} frequencies ≤ 8 MHz.

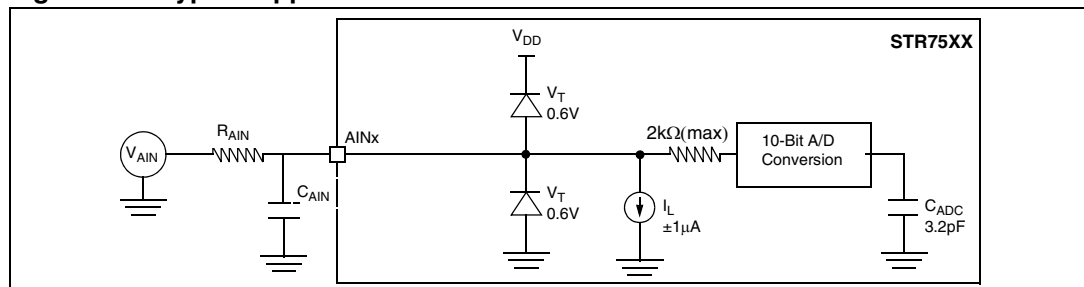
ADC accuracy vs. negative injection current

Injecting negative current on specific pins listed in [Table 46](#) (generally adjacent to the analog input pin being converted) should be avoided as this significantly reduces the accuracy of the conversion being performed. It is recommended to add a Schottky diode (pin to ground) to pins which may potentially inject negative current.

Table 46. List of adjacent pins

| Analog input | Related adjacent pins |
|--------------|-----------------------|
| a | None |
| AIN1/P0.03 | None |
| AIN2/P0.12 | P0.11 |
| AIN3/P0.17 | P0.18 and P0.16 |
| AIN4/P0.19 | P0.24 |
| AIN5/P0.22 | None |
| AIN6/P0.23 | P2.04 |
| AIN7/P0.27 | P1.11 and P0.26 |
| AIN8/P0.29 | P0.30 and P0.28 |
| AIN9/P1.04 | None |
| AIN10/P1.06 | P1.05 |
| AIN11/P1.08 | P1.04 and P1.13 |
| AIN12/P1.11 | P2.17 and P0.27 |
| AIN13/P1.12 | None |
| AIN14/P1.13 | P1.14 and P1.01 |
| AIN15/P1.14 | None |

Figure 42. Typical application with ADC



Analog power supply and reference pins

The V_{DD_ADC} and V_{SSA_ADC} pins are the analog power supply of the A/D converter cell.

Separation of the digital and analog power pins allow board designers to improve A/D performance. Conversion accuracy can be impacted by voltage drops and noise in the event of heavily loaded or badly decoupled power supply lines (see : [General PCB design guidelines on page 74](#)).

General PCB design guidelines

To obtain best results, some general design and layout rules should be followed when designing the application PCB to shield the noise-sensitive, analog physical interface from noise-generating CMOS logic signals.

- Use separate digital and analog planes. The analog ground plane should be connected to the digital ground plane via a single point on the PCB.
- Filter power to the analog power planes. It is recommended to connect capacitors, with good high frequency characteristics, between the power and ground lines, placing 0.1 μF and optionally, if needed 10 pF capacitors as close as possible to the STR7 power supply pins and a 1 to 10 μF capacitor close to the power source (see [Figure 43](#)).
- The analog and digital power supplies should be connected in a star network. Do not use a resistor, as $V_{\text{DDA_ADC}}$ is used as a reference voltage by the A/D converter and any resistance would cause a voltage drop and a loss of accuracy.
- Properly place components and route the signal traces on the PCB to shield the analog inputs. Analog signals paths should run over the analog ground plane and be as short as possible. Isolate analog signals from digital signals that may switch while the analog inputs are being sampled by the A/D converter. Do not toggle digital outputs near the A/D input being converted.

Software filtering of spurious conversion results

For EMC performance reasons, it is recommended to filter A/D conversion outliers using software filtering techniques.

Figure 43. Power supply filtering

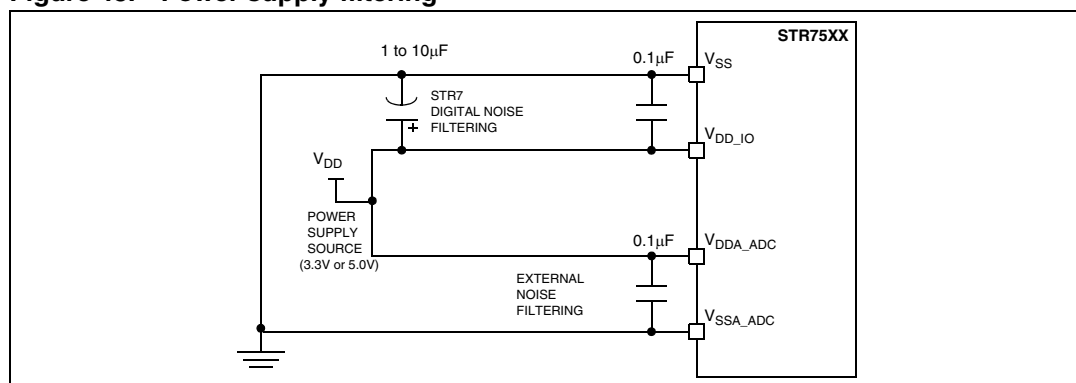
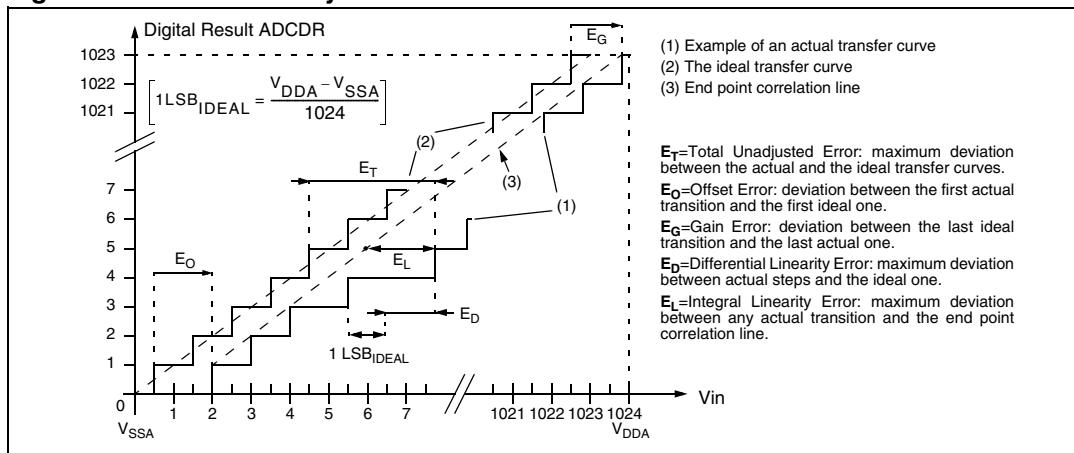


Table 47. ADC accuracy

| ADC accuracy with $f_{CK_SYS} = 20\text{ MHz}$, $f_{ADC}=8\text{ MHz}$, $R_{AIN} < 10\text{ k}\Omega$ This assumes that the ADC is calibrated ⁽¹⁾ | | | | | |
|--|---|-----------------------------|------|------|------|
| Symbol | Parameter | Conditions | Typ | Max | Unit |
| E _T | Total unadjusted error ^{(2) (3)} | V _{DDA_ADC} =3.3 V | 1 | 1.2 | LSB |
| | | V _{DDA_ADC} =5.0 V | 1 | 1.2 | |
| E _O | Offset error ^{(2) (3)} | V _{DDA_ADC} =3.3 V | 0.15 | 0.5 | |
| | | V _{DDA_ADC} =5.0 V | 0.15 | 0.5 | |
| E _G | Gain Error ^{(2) (3)} | V _{DDA_ADC} =3.3 V | -0.8 | -0.2 | |
| | | V _{DDA_ADC} =5.0 V | -0.8 | -0.2 | |
| E _D | Differential linearity error ^{(2) (3)} | V _{DDA_ADC} =3.3 V | 0.7 | 0.9 | |
| | | V _{DDA_ADC} =5.0 V | 0.7 | 0.9 | |
| E _L | Integral linearity error ^{(2) (3)} | V _{DDA_ADC} =3.3 V | 0.6 | 0.8 | |
| | | V _{DDA_ADC} =5.0 V | 0.6 | 0.8 | |

1. Calibration is needed once after each power-up.
2. Refer to [ADC accuracy vs. negative injection current on page 73](#)
3. ADC Accuracy vs. MCO (Main Clock Output): the ADC accuracy can be significantly degraded when activating the MCO on pin P0.01 while converting an analog channel (especially those which are close to the MCO pin). To avoid this, when an ADC conversion is launched, it is strongly recommended to disable the MCO.

Figure 44. ADC accuracy characteristics



7 Package characteristics

In order to meet environmental requirements, ST offers these devices in different grades of ECOPACK[®] packages, depending on their level of environmental compliance. ECOPACK[®] specifications, grade definitions and product status are available at: www.st.com. ECOPACK[®] is an ST trademark.

7.1 Package mechanical data

Figure 45. 64-pin low profile quad flat package (10x10)

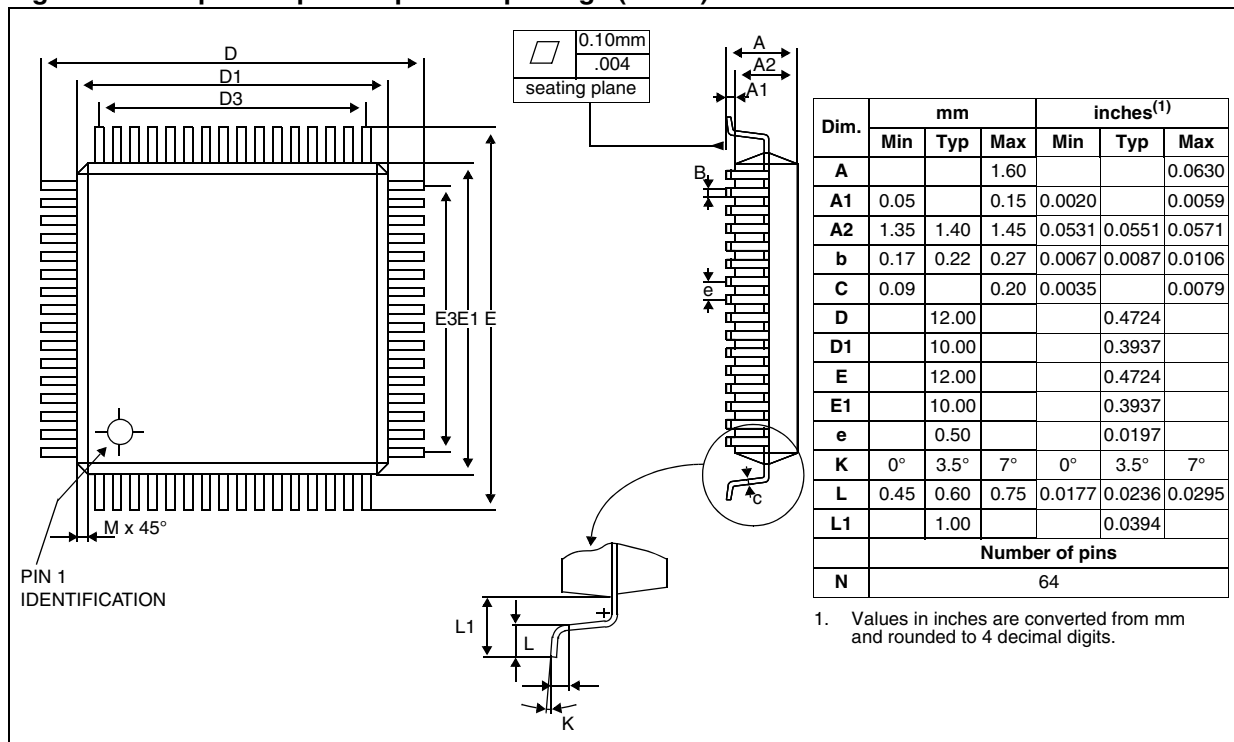


Figure 46. 100-pin low profile flat package (14x14)

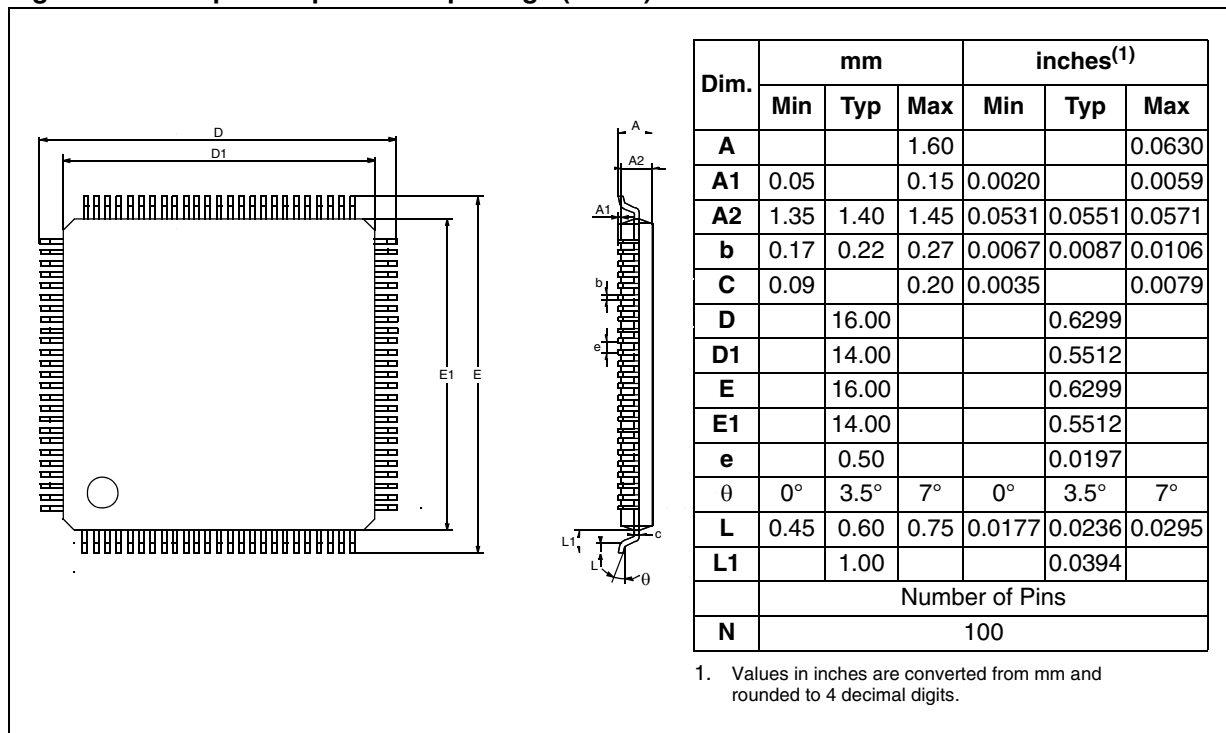


Figure 47. 64-ball low profile fine pitch ball grid array package

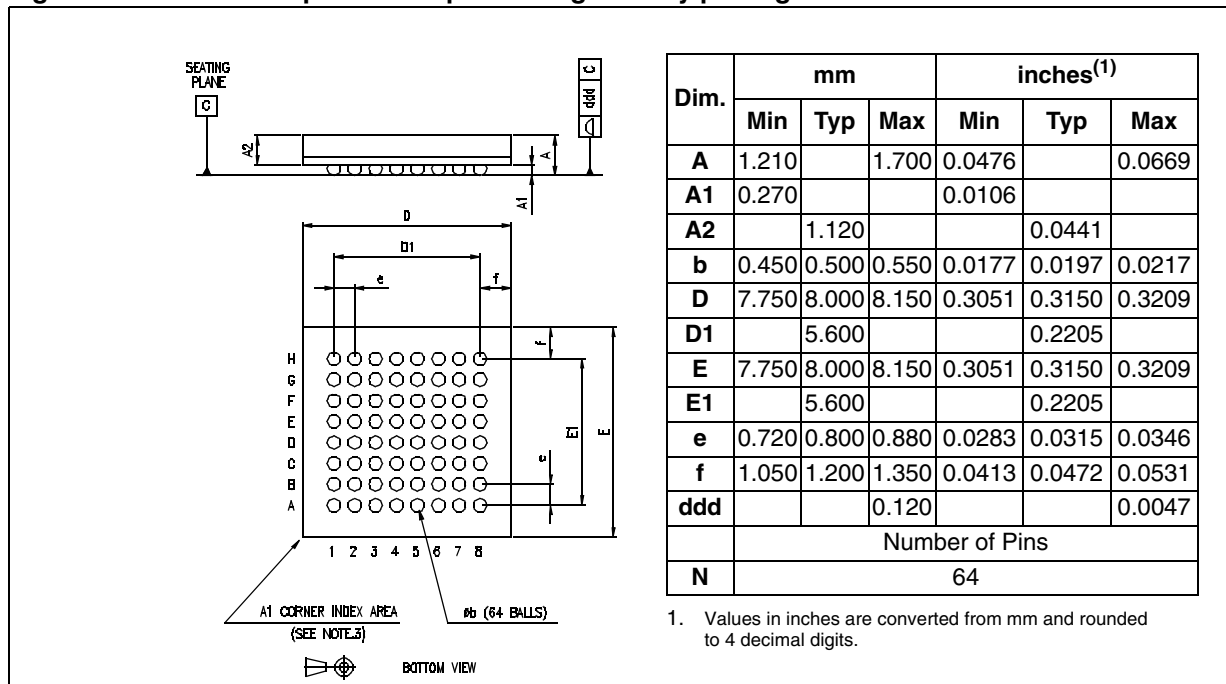


Figure 48. 100-ball low profile fine pitch ball grid array package

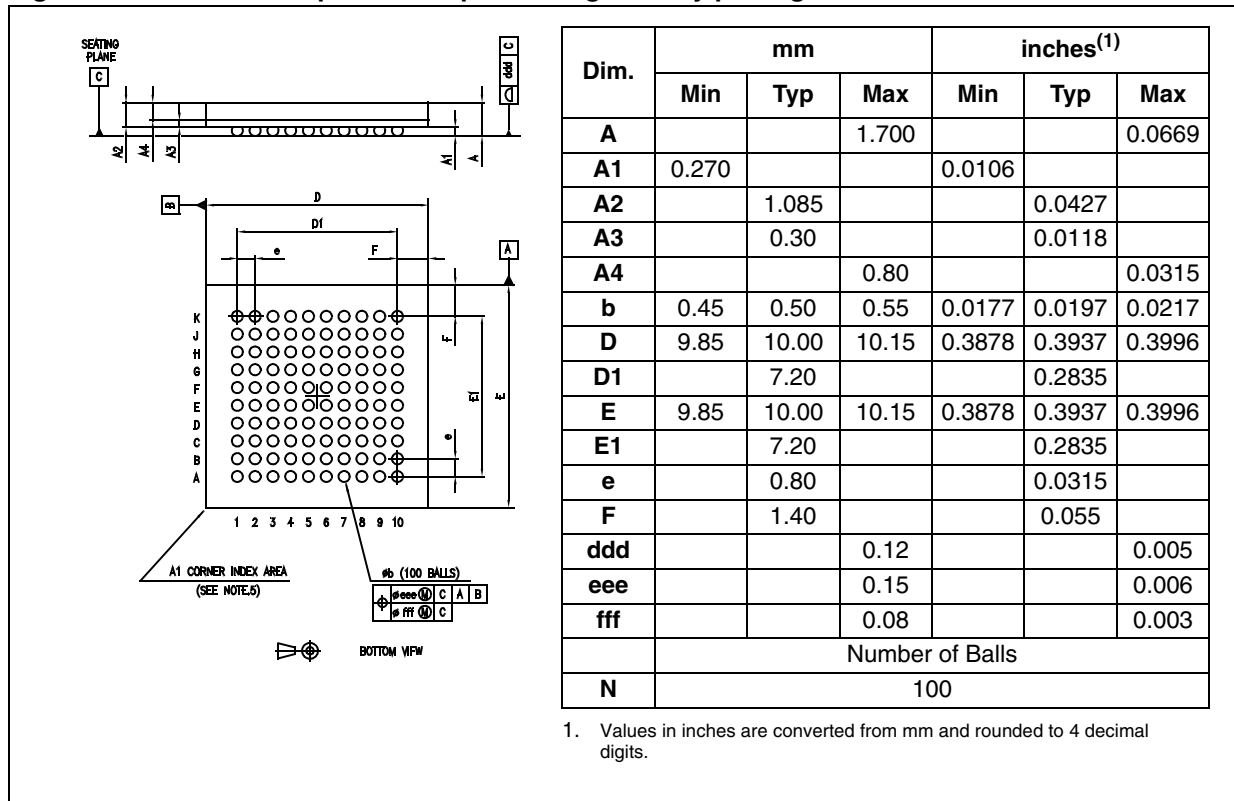
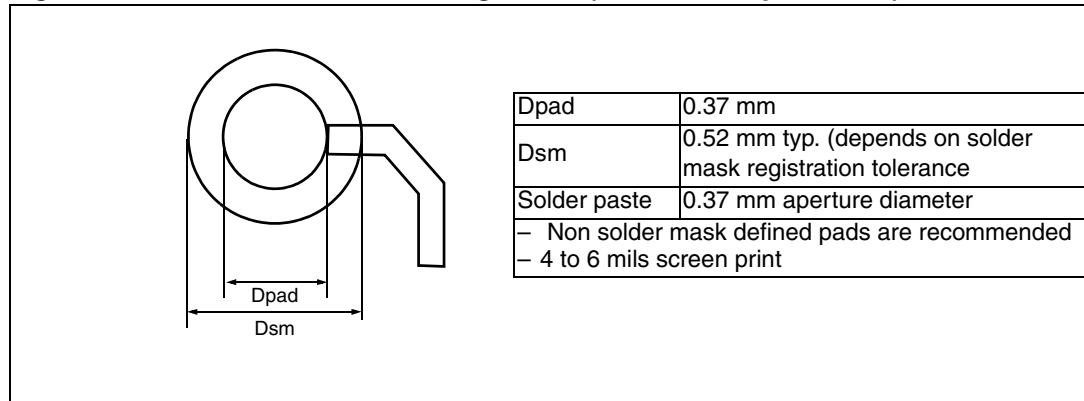


Figure 49. Recommended PCB design rules (0.80/0.75mm pitch BGA)



7.2 Thermal characteristics

The maximum chip junction temperature (T_{Jmax}) must never exceed the values given in [Table 10: General operating conditions on page 34](#).

The maximum chip-junction temperature, T_{Jmax} , in degrees Celsius, may be calculated using the following equation:

$$T_{Jmax} = T_{Amax} + (P_{Dmax} \times \Theta_{JA})$$

Where:

- T_{Amax} is the maximum Ambient Temperature in °C,
- Θ_{JA} is the Package Junction-to-Ambient Thermal Resistance, in °C/W,
- P_{Dmax} is the sum of P_{INTmax} and $P_{I/Omax}$ ($P_{Dmax} = P_{INTmax} + P_{I/Omax}$),
- P_{INTmax} is the product of I_{DD} and V_{DD} , expressed in Watts. This is the maximum chip internal power.
- $P_{I/Omax}$ represents the maximum Power Dissipation on Output Pins.

Where:

$$P_{I/Omax} = \Sigma (V_{OL} * I_{OL}) + \Sigma ((V_{DD} - V_{OH}) * I_{OH}),$$

taking into account the actual V_{OL} / I_{OL} and V_{OH} / I_{OH} of the I/Os at low and high level in the application.

Table 48. Thermal characteristics⁽¹⁾

| Symbol | Parameter | Value | Unit |
|---------------|--|-------|------|
| Θ_{JA} | Thermal Resistance Junction-Ambient LQFP 100 - 14 x 14 mm / 0.5 mm pitch | 46 | °C/W |
| Θ_{JA} | Thermal Resistance Junction-Ambient LQFP 64 - 10 x 10 mm / 0.5 mm pitch | 45 | °C/W |
| Θ_{JA} | Thermal Resistance Junction-Ambient LFBGA 64 - 8 x 8 x 1.7mm | 58 | °C/W |
| Θ_{JA} | Thermal Resistance Junction-Ambient LFBGA 100 - 10 x 10 x 1.7mm | 41 | °C/W |

1. Thermal resistances are based on JEDEC JESD51-2 with 4-layer PCB in a natural convection environment.

7.2.1 Reference document

JESD51-2 Integrated Circuits Thermal Test Method Environment Conditions - Natural Convection (Still Air). Available from www.jedec.org

7.2.2 Selecting the product temperature range

When ordering the microcontroller, the temperature range is specified in the order code [Table 49: Order codes on page 81](#).

The following example shows how to calculate the temperature range needed for a given application.

Assuming the following application conditions:

Maximum ambient temperature $T_{Amax} = 82\text{ }^{\circ}\text{C}$ (measured according to JESD51-2),
 $I_{DDmax} = 8\text{ mA}$, $V_{DD} = 5\text{ V}$, maximum 20 I/Os used at the same time in output at low level
 with $I_{OL} = 8\text{ mA}$, $V_{OL} = 0.4\text{ V}$

$$P_{INTmax} = 8\text{ mA} \times 5\text{ V} = 400\text{ mW}$$

$$P_{IOmax} = 20 \times 8\text{ mA} \times 0.4\text{ V} = 64\text{ mW}$$

This gives: $P_{INTmax} = 400\text{ mW}$ and $P_{IOmax} = 64\text{ mW}$:

$$P_{Dmax} = 400\text{ mW} + 64\text{ mW}$$

Thus: $P_{Dmax} = 464\text{ mW}$

Using the values obtained in [Table 48](#) T_{Jmax} is calculated as follows:

- For LQFP100, $46\text{ }^{\circ}\text{C/W}$

$$T_{Jmax} = 82\text{ }^{\circ}\text{C} + (46\text{ }^{\circ}\text{C/W} \times 464\text{ mW}) = 82\text{ }^{\circ}\text{C} + 21\text{ }^{\circ}\text{C} = 103\text{ }^{\circ}\text{C}$$

This is within the range of the suffix 6 version parts ($-40 < T_J < 105\text{ }^{\circ}\text{C}$).

In this case, parts must be ordered at least with the temperature range suffix 6 (see [Table 49: Order codes on page 81](#)).

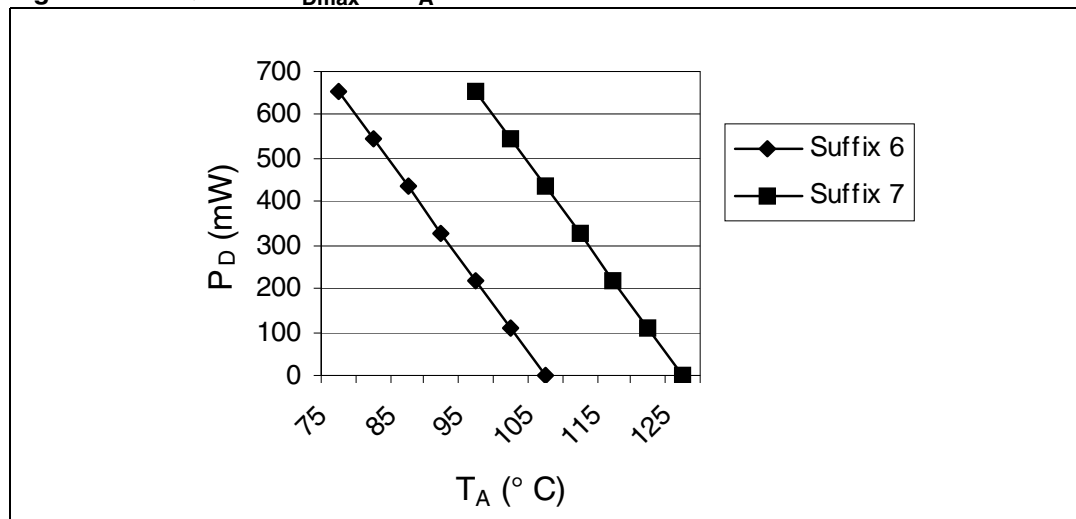
- For BGA64, $58\text{ }^{\circ}\text{C/W}$

$$T_{Jmax} = 82\text{ }^{\circ}\text{C} + (58\text{ }^{\circ}\text{C/W} \times 464\text{ mW}) = 82\text{ }^{\circ}\text{C} + 27\text{ }^{\circ}\text{C} = 109\text{ }^{\circ}\text{C}$$

This is within the range of the suffix 7 version parts ($-40 < T_J < 125\text{ }^{\circ}\text{C}$).

In this case, parts must be ordered at least with the temperature range suffix 7 (see [Table 49: Order codes on page 81](#)).

Figure 50. LQFP100 P_{Dmax} vs T_A



8 Order codes

Table 49. Order codes

| Order code | Flash Prog. Memory (Bank 0) Kbytes | Package | CAN Periph | USB Periph | Nominal Temp. Range (T _A) |
|-------------|------------------------------------|----------------|------------|------------|---------------------------------------|
| STR750FV0T6 | 64 | LQFP100 14x14 | Yes | Yes | -40 to +85°C |
| STR750FV1T6 | 128 | | | | |
| STR750FV2T6 | 256 | | | | |
| STR750FV0H6 | 64 | LFBGA100 10x10 | | | |
| STR750FV1H6 | 128 | | | | |
| STR750FV2H6 | 256 | | | | |
| STR751FR0T6 | 64 | LQFP64 10x10 | - | Yes | -40 to +85°C |
| STR751FR1T6 | 128 | | | | |
| STR751FR2T6 | 256 | | | | |
| STR751FR0H6 | 64 | LFBGA64 8x8 | | | |
| STR751FR1H6 | 128 | | | | |
| STR751FR2H6 | 256 | | | | |
| STR752FR0T6 | 64 | LQFP64 10x10 | Yes | - | -40 to +85°C |
| STR752FR1T6 | 128 | | | | |
| STR752FR2T6 | 256 | | | | |
| STR752FR0H6 | 64 | LFBGA64 8x8 | | | |
| STR752FR1H6 | 128 | | | | |
| STR752FR2H6 | 256 | | | | |
| STR752FR0T7 | 64 | LQFP64 10x10 | Yes | - | -40 to +105°C |
| STR752FR1T7 | 128 | | | | |
| STR752FR2T7 | 256 | | | | |
| STR752FR0H7 | 64 | LFBGA64 8x8 | | | |
| STR752FR1H7 | 128 | | | | |
| STR752FR2H7 | 256 | | | | |
| STR755FR0T6 | 64 | LQFP64 10x10 | - | - | -40 to +85°C |
| STR755FR1T6 | 128 | | | | |
| STR755FR2T6 | 256 | | | | |
| STR755FR0H6 | 64 | LFBGA64 8x8 | | | |
| STR755FR1H6 | 128 | | | | |
| STR755FR2H6 | 256 | | | | |

Table 49. Order codes (continued)

| Order code | Flash Prog. Memory (Bank 0) Kbytes | Package | CAN Periph | USB Periph | Nominal Temp. Range (T _A) |
|-------------|------------------------------------|----------------|------------|------------|---------------------------------------|
| STR755FV0T6 | 64 | LQFP100 14x14 | - | - | -40 to +85°C |
| STR755FV1T6 | 128 | | | | |
| STR755FV2T6 | 256 | | | | |
| STR755FV0H6 | 64 | LFBGA100 10x10 | | | |
| STR755FV1H6 | 128 | | | | |
| STR755FV2H6 | 256 | | | | |

9 Revision history

Table 50. Document revision history

| Date | Revision | Description of Changes |
|-------------|----------|---|
| 25-Sep-2006 | 1 | Initial release |
| 30-Oct-2006 | 2 | Added power consumption data for 5V operation in Section 6 |
| 04-Jul-2007 | 3 | <p>Changed datasheet title from STR750F to STR750FXX STR751Fxx STR752Fxx STR755xx.</p> <p>Added Table 1: Device summary on page 1</p> <p>Added note 1 to Table 6</p> <p>Added STOP mode IDD max. values in Table 14</p> <p>Updated XT2 driving current in Table 23.</p> <p>Updated RPD in Table 32</p> <p>Updated Table 21: XRTC1 external clock source on page 45</p> <p>Updated Table 34: Output speed on page 57</p> <p>Added characteristics for <i>SSP synchronous serial peripheral in master mode (SPI or TI mode) on page 62</i> and <i>SSP synchronous serial peripheral in slave mode (SPI or TI mode) on page 65</i></p> <p>Added characteristics for <i>SMI - serial memory interface on page 68</i></p> <p>Added Table 42: USB startup time on page 70</p> |
| 23-Oct-2007 | 4 | <p>Updated Section 6.2.3: Thermal characteristics on page 33</p> <p>Updated P_D, T_J and T_A in Section 6.3: Operating conditions on page 34</p> <p>Updated Table 20: XT1 external clock source on page 44</p> <p>Updated Table 21: XRTC1 external clock source on page 45</p> <p>Updated Section 7: Package characteristics on page 76 (inches rounded to 4 decimal digits instead of 3)</p> <p>Updated Ordering information Section 8: Order codes on page 81</p> |
| 17-Feb-2009 | 5 | <p>Modified note 3 below Table 8: Current characteristics on page 33</p> <p>Added AHB clock frequency for write access to Flash registers in Table 10: General operating conditions on page 34</p> <p>Modified note 3 below Table 41: SDA and SCL characteristics on page 69</p> |

Please Read Carefully:

Information in this document is provided solely in connection with ST products. STMicroelectronics NV and its subsidiaries ("ST") reserve the right to make changes, corrections, modifications or improvements, to this document, and the products and services described herein at any time, without notice.

All ST products are sold pursuant to ST's terms and conditions of sale.

Purchasers are solely responsible for the choice, selection and use of the ST products and services described herein, and ST assumes no liability whatsoever relating to the choice, selection or use of the ST products and services described herein.

No license, express or implied, by estoppel or otherwise, to any intellectual property rights is granted under this document. If any part of this document refers to any third party products or services it shall not be deemed a license grant by ST for the use of such third party products or services, or any intellectual property contained therein or considered as a warranty covering the use in any manner whatsoever of such third party products or services or any intellectual property contained therein.

UNLESS OTHERWISE SET FORTH IN ST'S TERMS AND CONDITIONS OF SALE ST DISCLAIMS ANY EXPRESS OR IMPLIED WARRANTY WITH RESPECT TO THE USE AND/OR SALE OF ST PRODUCTS INCLUDING WITHOUT LIMITATION IMPLIED WARRANTIES OF MERCHANTABILITY, FITNESS FOR A PARTICULAR PURPOSE (AND THEIR EQUIVALENTS UNDER THE LAWS OF ANY JURISDICTION), OR INFRINGEMENT OF ANY PATENT, COPYRIGHT OR OTHER INTELLECTUAL PROPERTY RIGHT.

UNLESS EXPRESSLY APPROVED IN WRITING BY AN AUTHORIZED ST REPRESENTATIVE, ST PRODUCTS ARE NOT RECOMMENDED, AUTHORIZED OR WARRANTED FOR USE IN MILITARY, AIR CRAFT, SPACE, LIFE SAVING, OR LIFE SUSTAINING APPLICATIONS, NOR IN PRODUCTS OR SYSTEMS WHERE FAILURE OR MALFUNCTION MAY RESULT IN PERSONAL INJURY, DEATH, OR SEVERE PROPERTY OR ENVIRONMENTAL DAMAGE. ST PRODUCTS WHICH ARE NOT SPECIFIED AS "AUTOMOTIVE GRADE" MAY ONLY BE USED IN AUTOMOTIVE APPLICATIONS AT USER'S OWN RISK.

Resale of ST products with provisions different from the statements and/or technical features set forth in this document shall immediately void any warranty granted by ST for the ST product or service described herein and shall not create or extend in any manner whatsoever, any liability of ST.

ST and the ST logo are trademarks or registered trademarks of ST in various countries.

Information in this document supersedes and replaces all information previously supplied.

The ST logo is a registered trademark of STMicroelectronics. All other names are the property of their respective owners.

© 2009 STMicroelectronics - All rights reserved

STMicroelectronics group of companies

Australia - Belgium - Brazil - Canada - China - Czech Republic - Finland - France - Germany - Hong Kong - India - Israel - Italy - Japan - Malaysia - Malta - Morocco - Singapore - Spain - Sweden - Switzerland - United Kingdom - United States of America

www.st.com