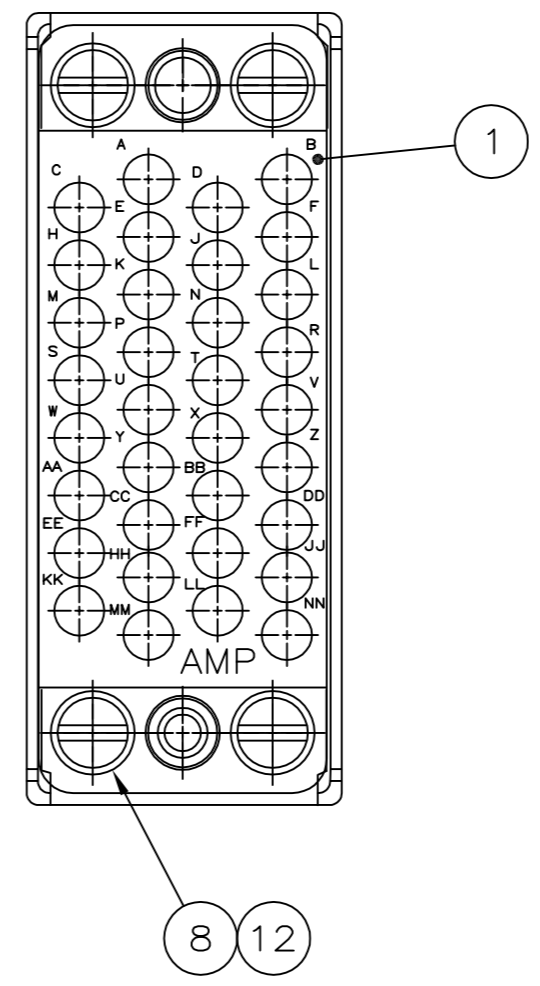
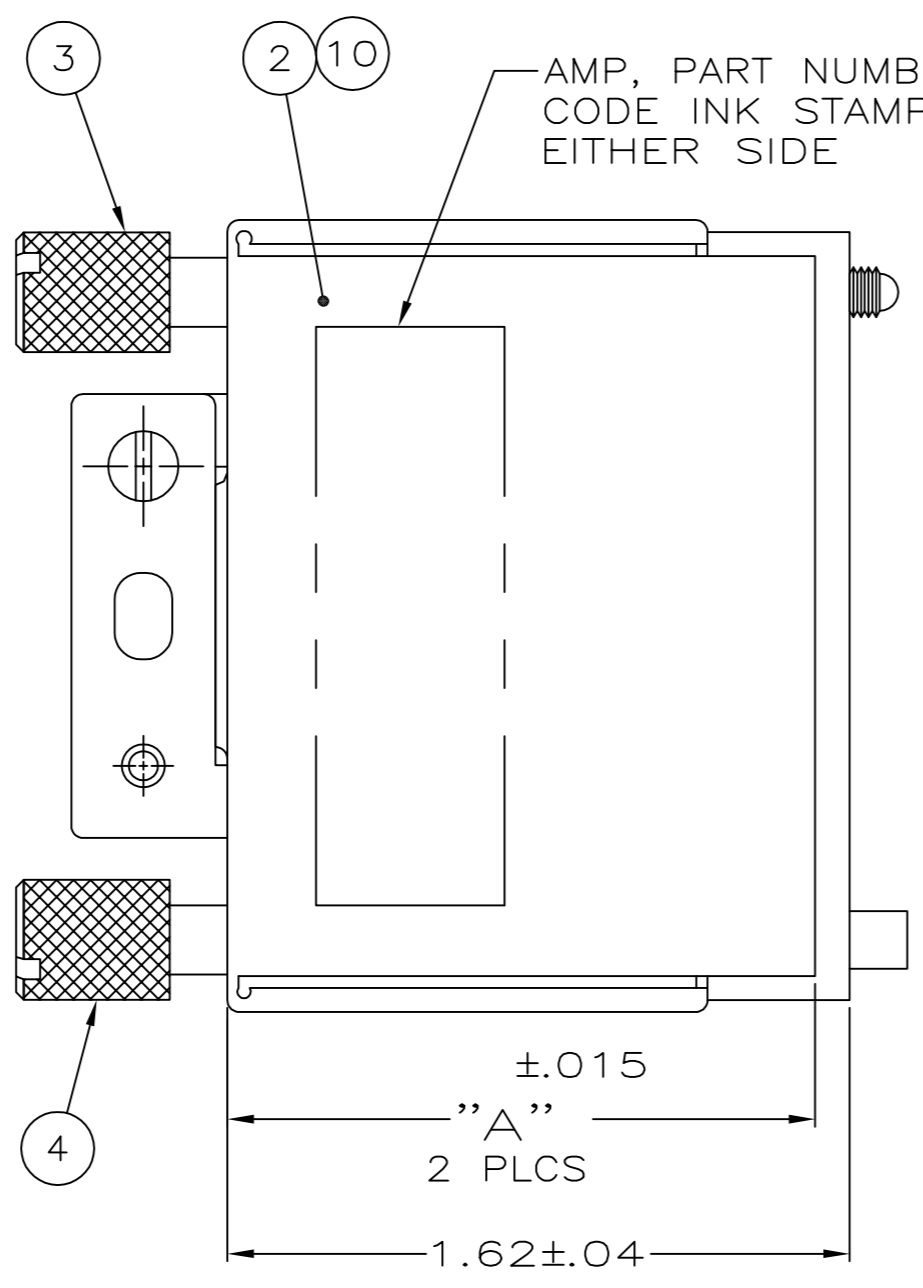
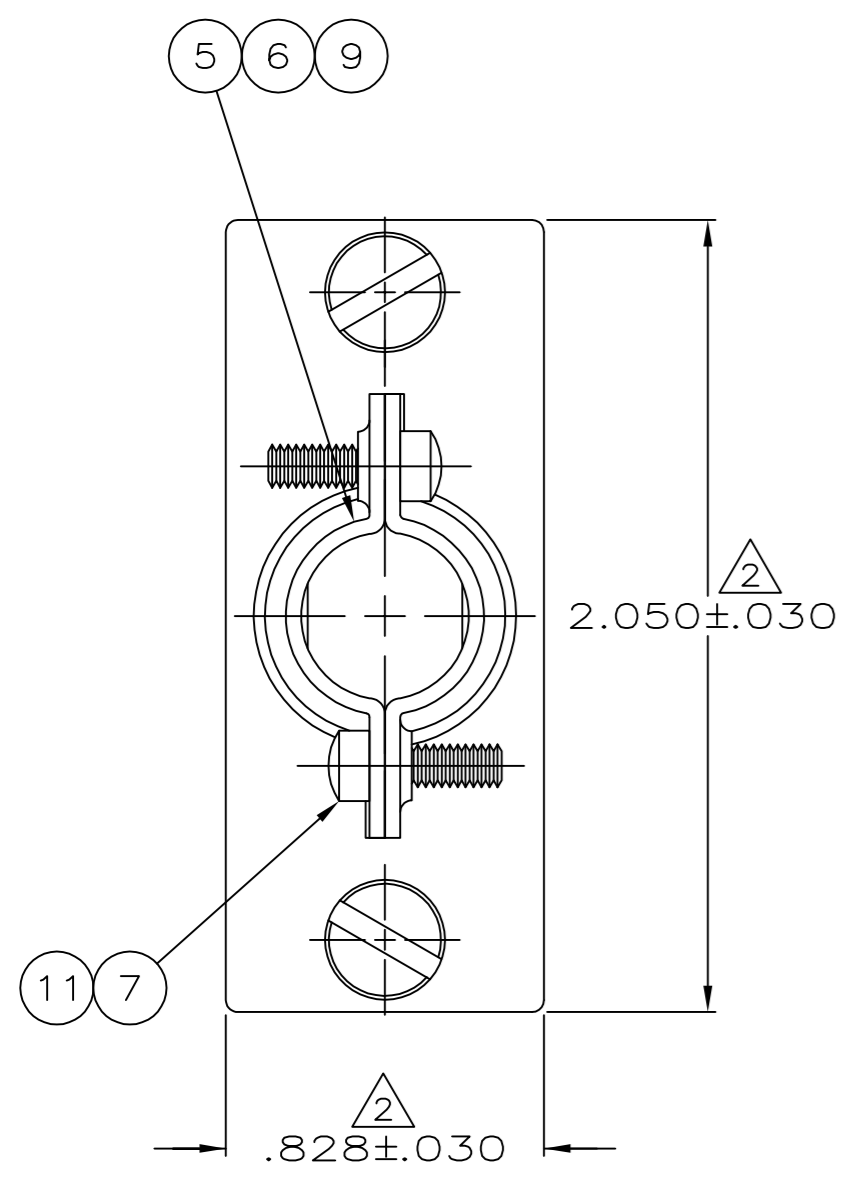


THIS DRAWING IS UNPUBLISHED. RELEASED FOR PUBLICATION  
 © COPYRIGHT - By - ALL RIGHTS RESERVED.

REVISIONS					
P	LTR	DESCRIPTION	DATE	DWN	APVD
	F5	REVISED PER ECO-16-004000	28SEP2016	NK	MZ
	G	REVISED PER ECR-17-002064	28FEB2017	RS	MZ
	H	REVISED PER ECO-17-009474	29JUN2017	RS	MZ

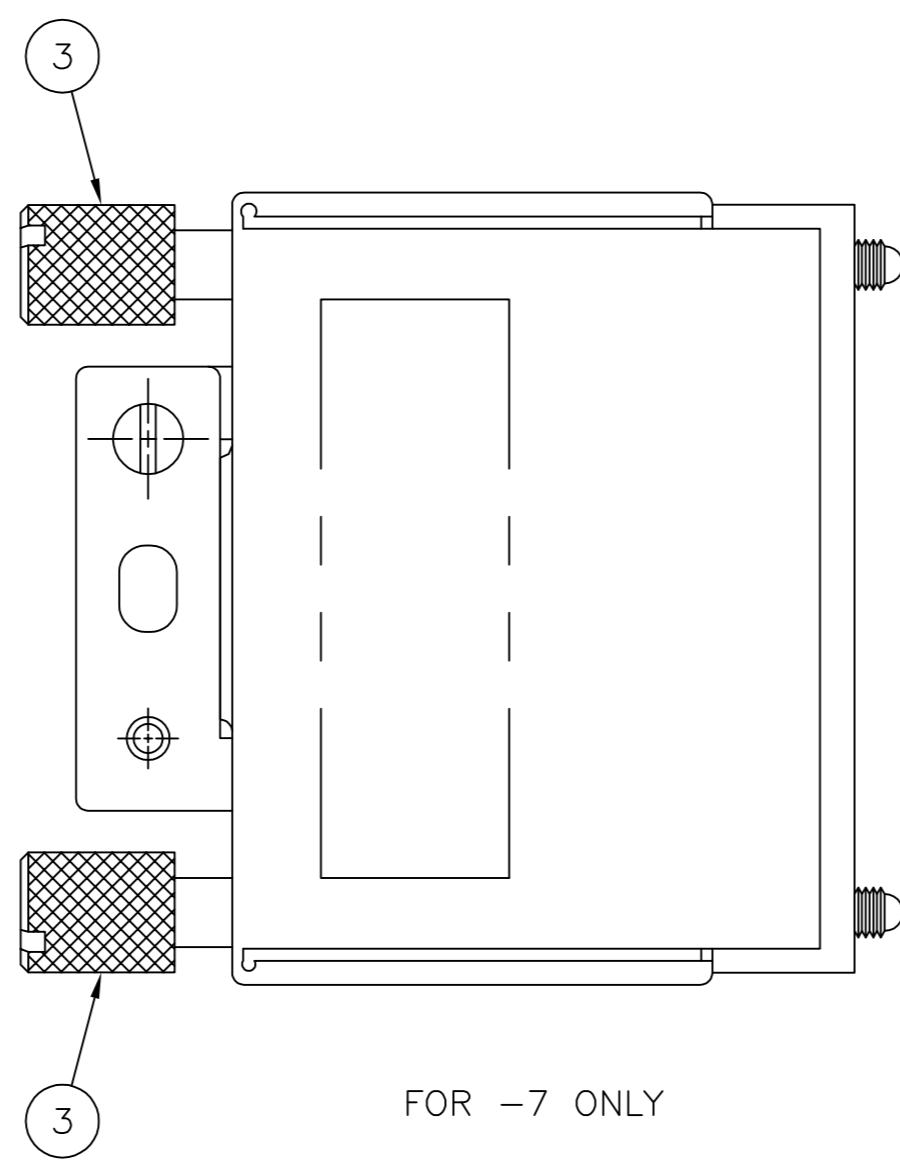
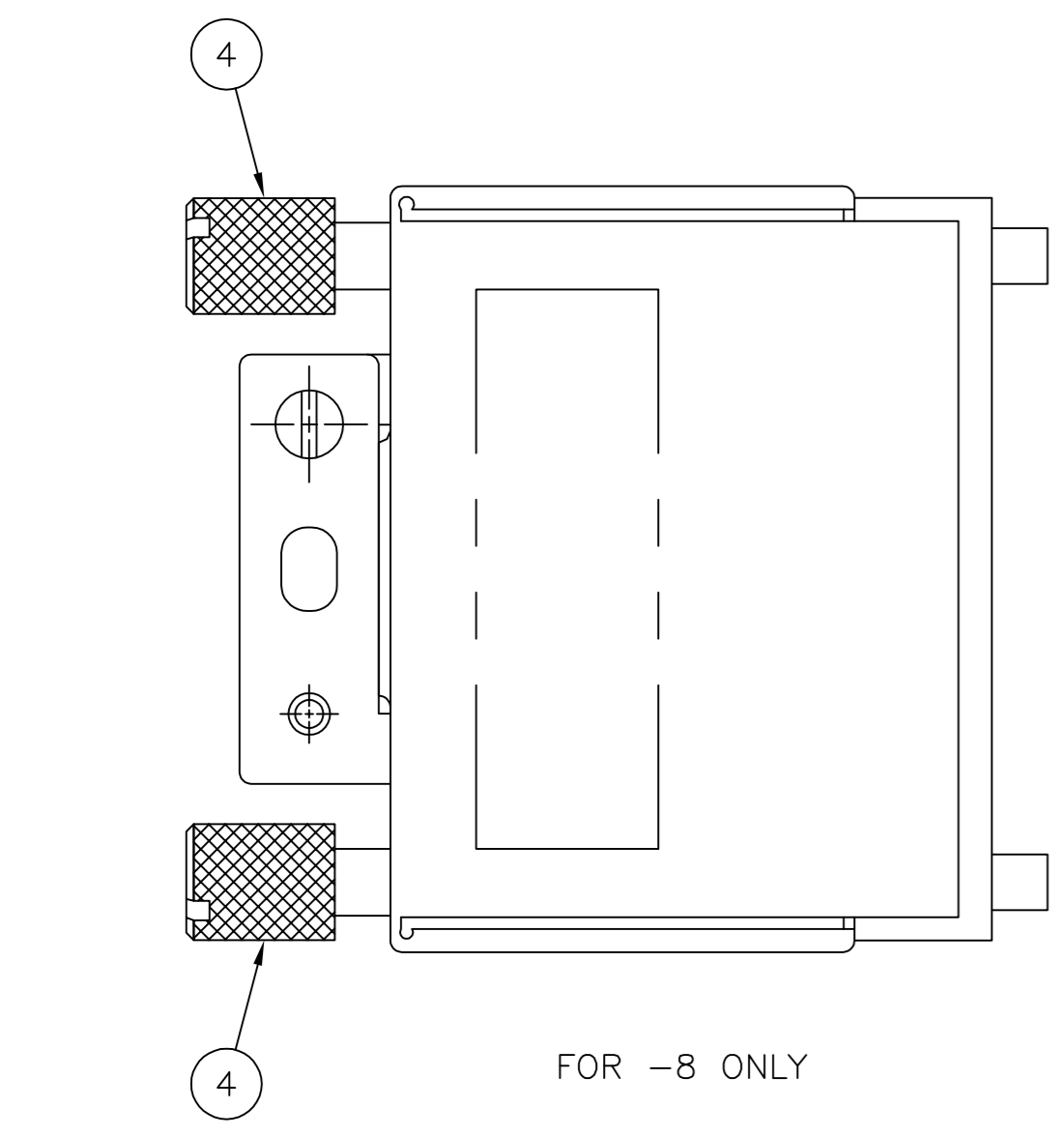


- 1 PARTIALLY ASSEMBLED.
- 2 DIMENSION APPLIES AT BASE OF BEND.
- 3 ALL ITEMS BULK PACKAGED SEPARATELY WITHOUT INK MARKING.
- 4 PRELIMINARY PART NO.
- 5 FINISH: ZINC PLATE WITH HEXAVALENT CHROMATE.
- 6 FINISH: ZINC PLATE WITH NON-HEXAVALENT CHROMATE.
- 7 OBSOLETE PARTS: OBSOLETE CIS STREAMLINING PER D.RENAUD/D.SINISI

OBSOLETE	1.530	.1491-.2336	213522-8
OBSOLETE	1.530	.1491-.2336	213522-7
OBSOLETE	1.530	.1491-.2336	213522-6
7 OBSOLETE	1.225	.1491-.2336	213522-5
OBSOLETE	1.530	.0314-.0707	213522-4
7 OBSOLETE	1.530	.1491-.2336	213522-3
	1.530	.1176-.1643	213522-2
	1.530	.1491-.2336	213522-1
DIM A	CABLE AREA SQUARE INCHES	PART NUMBER	

4	4	7	7
OBSOLETE	OBSOLETE	OBSOLETE	OBSOLETE
1	-	-	-
6	-	4	-
6	-	2	-
-	-	1	1
-	-	-	2
5	4	4	4
5	2	2	2
-	-	-	2
2	2	2	2
2	-	1	1
-	2	1	1
1	1	-	1
-	1	1	1
-8	-7	-6	-5
-4	-3	-2	-1

QTY	DESCRIPTION	MATERIAL	ITEM NO.
1	RECEPTACLE HOUSING, MOD 2 FEMALE JACKSCREW	PHENOLIC, BLACK	13
12	SCREW, #4-40, .250 LONG	STEEL, PLATED ZINC	12
11	SCREW, #4-40, .375 LONG	STEEL, PLATED ZINC	11
10	SHIELD, SHORT/SHORT	ALUMINUM, ANODIZED	10
9	CABLE CLAMP	STEEL, PLATED ZINC	9
8	SCREW, #4-40, .250 LONG	STEEL, PLATED ZINC	8
7	SCREW, #4-40, .375 LONG	STEEL, PLATED ZINC	7
6	CABLE CLAMP	STEEL, PLATED ZINC	6
5	CABLE CLAMP	STEEL, PLATED ZINC	5
4	JACKSCREW, FEMALE	STAINLESS STEEL	4
3	JACKSCREW, MALE	STAINLESS STEEL	3
2	SHIELD, SHORT	ALUMINUM, ANODIZED	2
1	RECEPTACLE HOUSING, MOD	PHENOLIC, BLACK	1



THIS DRAWING IS A CONTROLLED DOCUMENT.

DWN	D.ERDMAN	4-6-88
CHK	R.STONE	4-6-88
APVD	-	-
PRODUCT SPEC	-	-
APPLICATION SPEC	-	-
WEIGHT	-	-

TE Connectivity

KIT ASSEMBLY, RECEPTACLE, 34 POSITION, M SERIES

SIZE	CAGE CODE	DRAWING NO	RESTRICTED TO
A2	00779	C=213522	-

CUSTOMER DRAWING SCALE 2:1 SHEET 1 of 1 REV H