

MICRO SWITCH

FREEPORT, ILLINOIS, U.S.A.
A DIVISION OF HONEYWELL

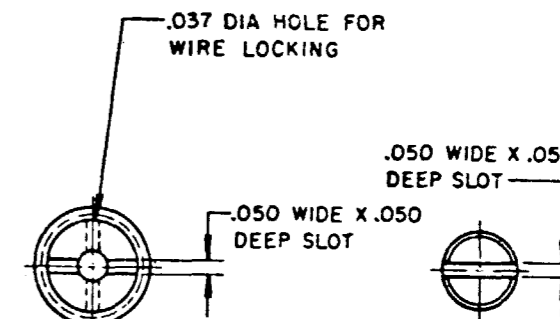
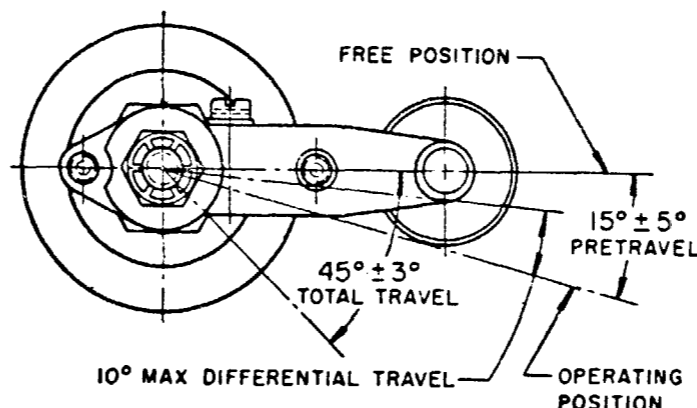
FED. MFG. CODE 91929

SWITCH - ENCLOSED

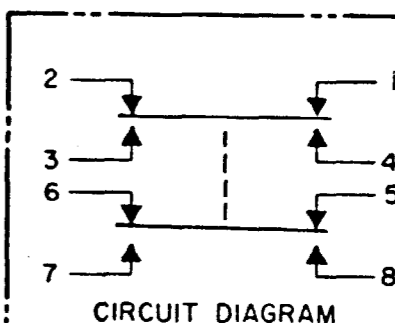
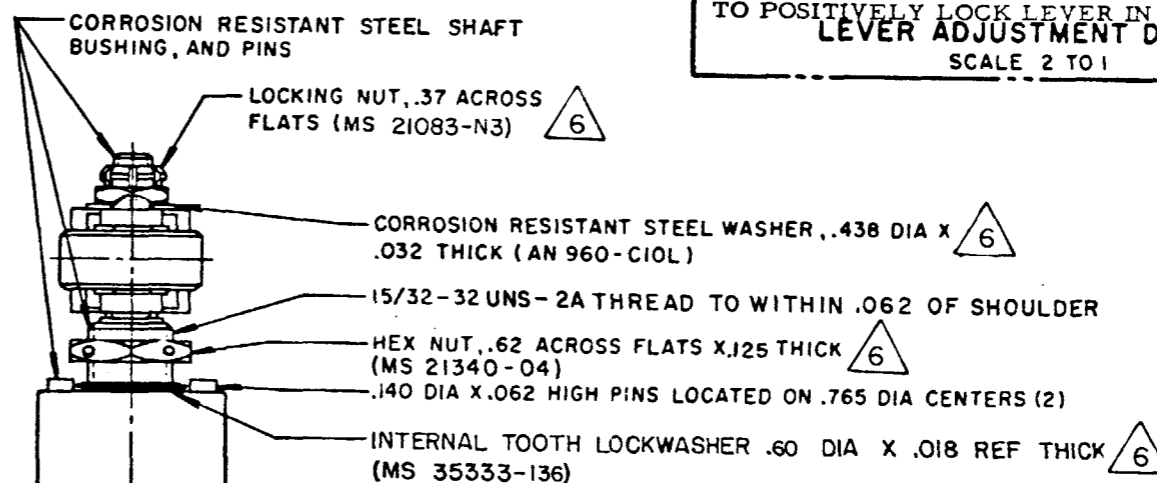
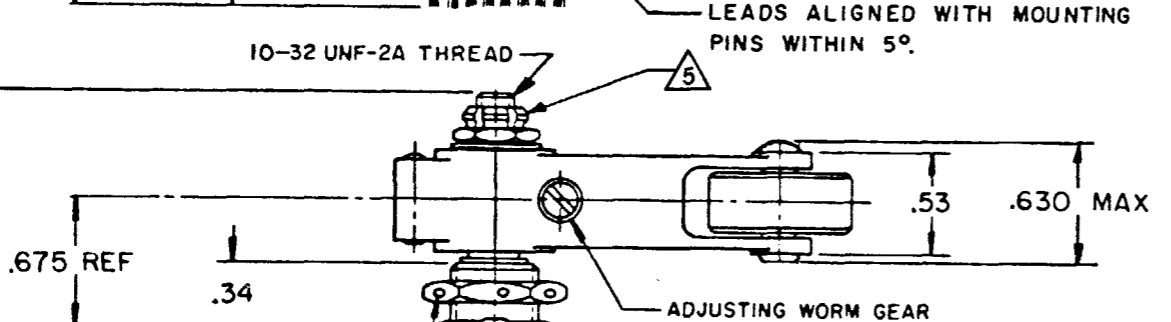
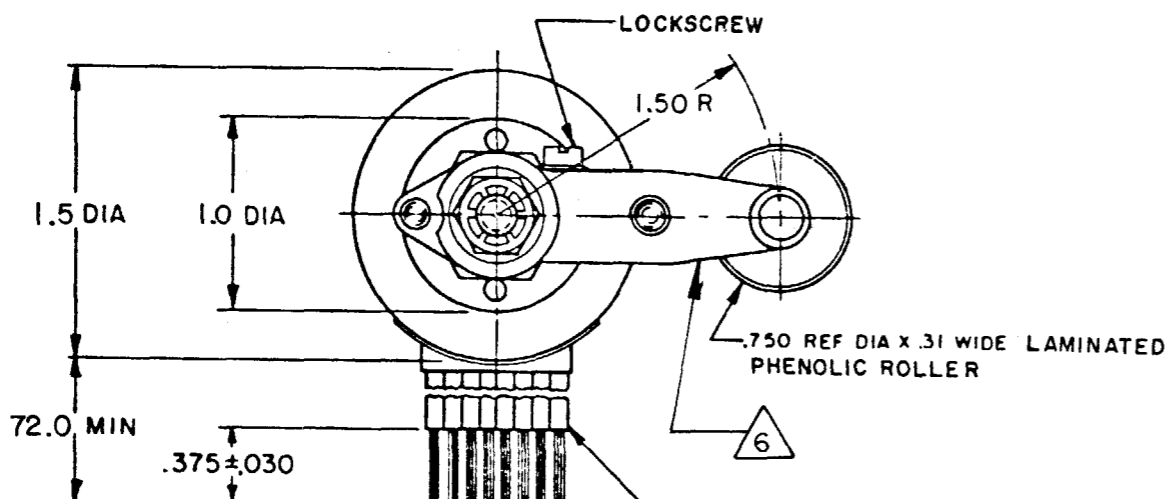
CATALOG LISTING
34EN11-6

MILITARY STANDARD
MS 21320-7

CHARACTERISTICS

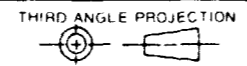


LOCKSCREW
ROLLER LEVER MAY BE ADJUSTED FOR AN INFINITE NUMBER OF POSITIONS THRU 360°. ADJUSTMENT IS MADE BY LOOSENING THE LOCKING NUT AND THEN THE LOCKSCREW AND TURNING GEAR UNTIL LEVER IS IN DESIRED POSITION. LOCKSCREW AND LOCKNUT ON SHAFT IS THEN TIGHTENED TO POSITIVELY LOCK LEVER IN POSITION.
GEAR
LEVER ADJUSTMENT DETAIL
SCALE 2 TO 1



34EN11-6
 M
 DRAWING NUMBER
 30
 ISSUE
 REVISIONS
 A C082363
 JAK
 24 JAN 96
 27 NOV 78
 16 NOV 78
 FORMTEK
 DRAWN
 TRF

THIS DRAWING COVERS A PROPRIETARY ITEM AND IS THE PROPERTY OF MICRO SWITCH, A DIVISION OF HONEYWELL. THIS DRAWING IS NOT TO BE COPIED OR USED WITHOUT THE APPROVAL OF MICRO SWITCH.



SCALE FULL	
DO NOT SCALE PRINT	
TOLERANCES APPLY TO DESIGN UNITS. CONVERSIONS ARE ONLY FOR REFERENCE. UNLESS NOTED, TOLERANCES ARE ±	
DIM. mm	TOL. mm/in
DIM. in	TOL. mm/in
NO PLACES	X 17.04
ONE PLACE	X,X 0.47/016
TWO PLACES	X,XX 0.157/006
THREE PLACES	X,XXX 0.387/015
ANGLES	X XXX 0.131/005
DESIGN UNITS	SI METRIC <input type="checkbox"/> US CUSTOMARY <input checked="" type="checkbox"/>
RAW MATERIAL—COMMERCIAL STANDARD MICRO SWITCH STANDARDS APPLY.	
DIMENSIONS ARE TO BE MET BEFORE PROTECTIVE COATINGS ARE APPLIED.	
WEIGHT	15.5 OZ MAX

CHARACTERISTICS	
OPERATING TORQUE	12-25 IN-LB
RELEASE TORQUE	8 IN-LB MIN
FULL OVERTRAVEL TORQUE	40 IN-LB MAX
PRETRAVEL	
DIFFERENTIAL TRAVEL	SEE DETAIL
OVERTRAVEL	
FREE POSITION	

ELECTRICAL DATA		
CONTACT ARRANGEMENT (SEE CIRCUIT DIAGRAM)		
28 VDC		
LOAD	SEA LEVEL	50,000 FT.
RES	15	15
IND	10	10
MOTOR	5	

- NOTES**
- 1 - CORROSION RESISTANT STEEL ENCLOSURE
 - 2 - SWITCH SEALED PER MIL-S-8805 SYMBOL 4
 - 3 - CIRCUIT DIAGRAM, CATALOG LISTING AND MIL STD NO. MS21320-7 ARE SHOWN ON NAMEPLATE
 - 4 - TOTAL TRAVEL OF ROLLER LEVER IS 45° ± 3° IN CLOCK WISE DIRECTION ONLY, WITH SPRING RETURN IN NEUTRAL
 - 5 - DO NOT APPLY MORE THAN 20-25 INCH-POUNDS OF TORQUE WHEN TIGHTENING LOCKING NUT
 - 6 - HARDWARE MAY BE PACKAGED UNASSEMBLED PER MIL-S-8805