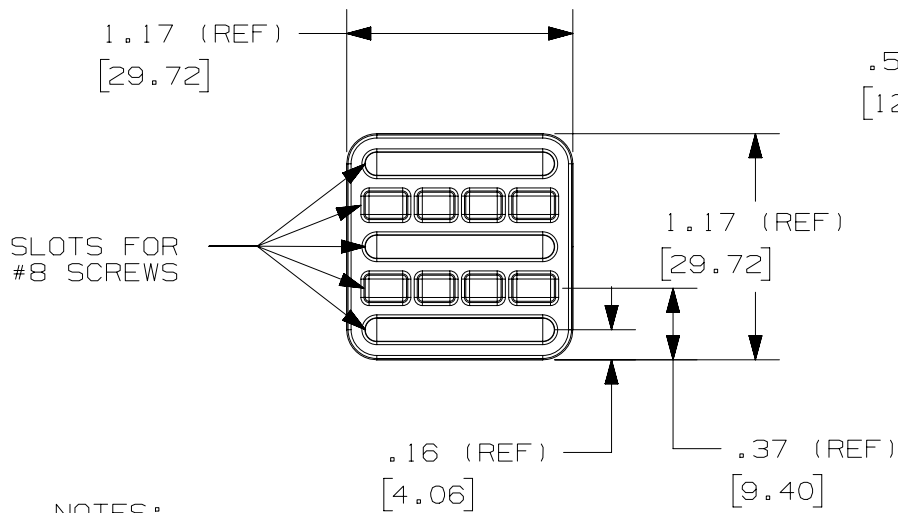
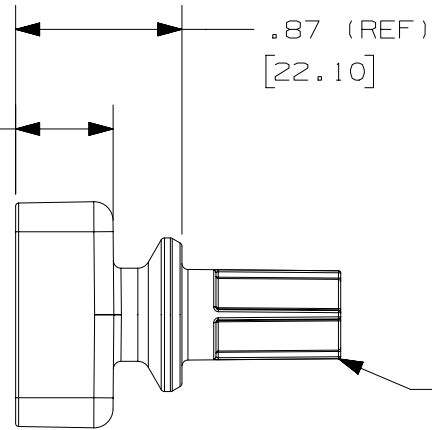


THIS COPY IS PROVIDED ON A RESTRICTED BASIS AND IS NOT TO BE USED IN ANY WAY DETRIMENTAL TO THE INTERESTS OF PANDUIT CORP.

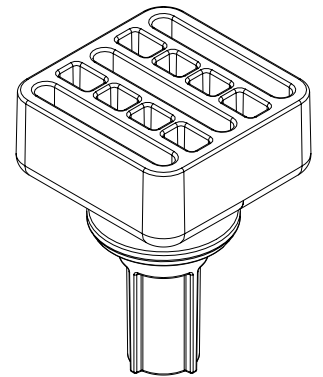


.51 (REF) [12.95]



NOTES:

1. DIMENSIONS IN BRACKETS [] ARE METRIC [mm].
3. PRODUCT DESIGNED TO BE INSERTED INTO PANDUIT PART: QB-MOUNT.
4. PRODUCT IS DESIGNED TO SUPPORT A MAXIMUM STATIC LOAD OF 5 LBS.
5. PRODUCT IS RATED FOR ENVIRONMENTAL CONDITIONS OF 40-100°F IN ALL HUMIDITY RANGES.
6. REFER TO PANDUIT CATALOG FOR LIST OF COMPATIBLE ACCESSORIES.
7. COMPATIBLE WITH FOLLOWING SCREWS: QB-S8-500-C, QB-S8-750-C.



00	06-09-15	ANF	DJW	MSAD	DRAWING RELEASED	GAECN03011
REV	DATE	BY	CHK	APR	DESCRIPTION	ECN

TITLE QUICK-BUILD MOUNTING BASE; 1.20" X 1.20"; ACCEPTS #8 SCREWS; 25 PER PACKAGE QB-BASE120					
CUSTOMER DRAWING					
ITEM REVISION NAME 14L203DM/02					
DATASET FILE NAME 14L203DM-DC					
UNLESS OTHERWISE SPECIFIED, DIMENSIONAL TOLERANCES ARE: IN [mm]					
.x ± .1 [2.54]		.xxx ± .005 [.127]		MATERIAL: NYLON	
.xx ± .01 [.25]		ANGLES ± 5 °		DRAWING NUMBER: 14L203DM-DC	
		THIRD ANGLE PROJECTION			
DRAWN BY ANF	DATE 6/9/15	CHK DJW	SCALE 1:1	SHT 1 OF 1	
SIZE A					

2

1