

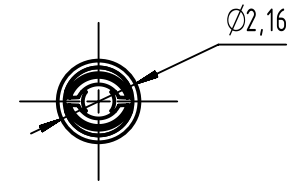
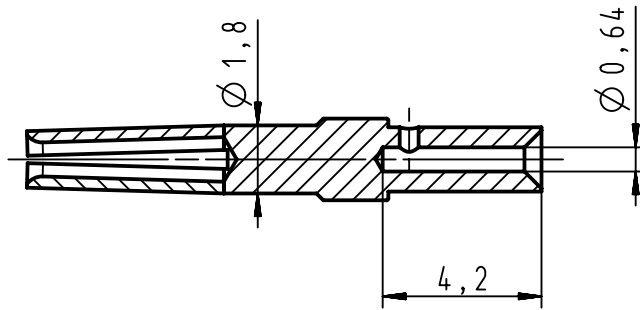
A

B

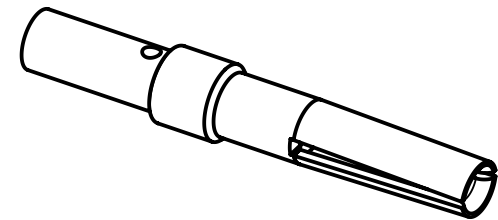
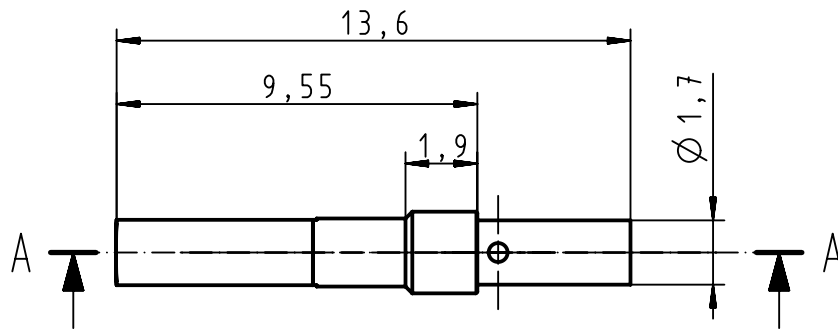
C

D

A - A



Crimping of AWG 24-28 : hand tool 09 99 000 0501
and locator 09 99 000 0531



5000	09 67 000 7476 580	PL1
100	09 67 000 7476	PL1
Bulk packaging	Part number	Perf. Level

	All Dimensions in mm Original Size DIN A4	Scale 5:1	Free size tol.		Ref.	
	All rights reserved Department EC PD - FR	Created by BOURGEOIS	Inspected by BAGDIKIAN	Standardisation KOHLER	Date 2014-06-18	State Final Release
HARTING Electronics GmbH D-32339 Espelkamp		Title D-Sub, FE AWG 24-28 crimp cont			Doc-Key / ECM-Nr. 100189795/UGD/003/D 500000076079	
		Type TB	Number 09670007476		Rev. D	Page 1/1

Mouser Electronics

Authorized Distributor

Click to View Pricing, Inventory, Delivery & Lifecycle Information:

[HARTING:](#)

[09670007476](#)