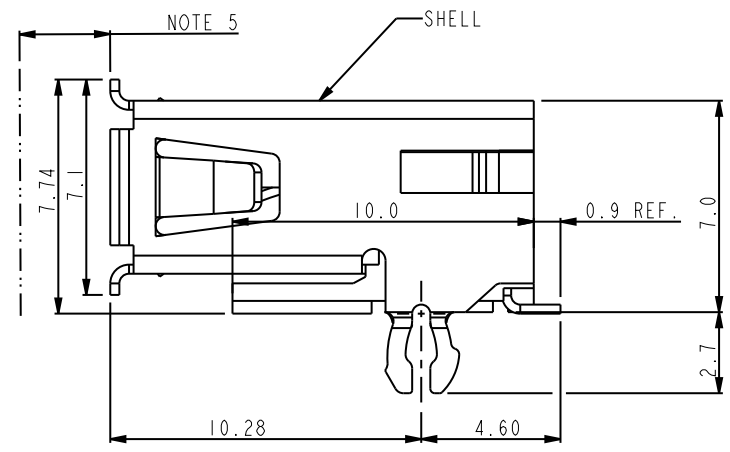
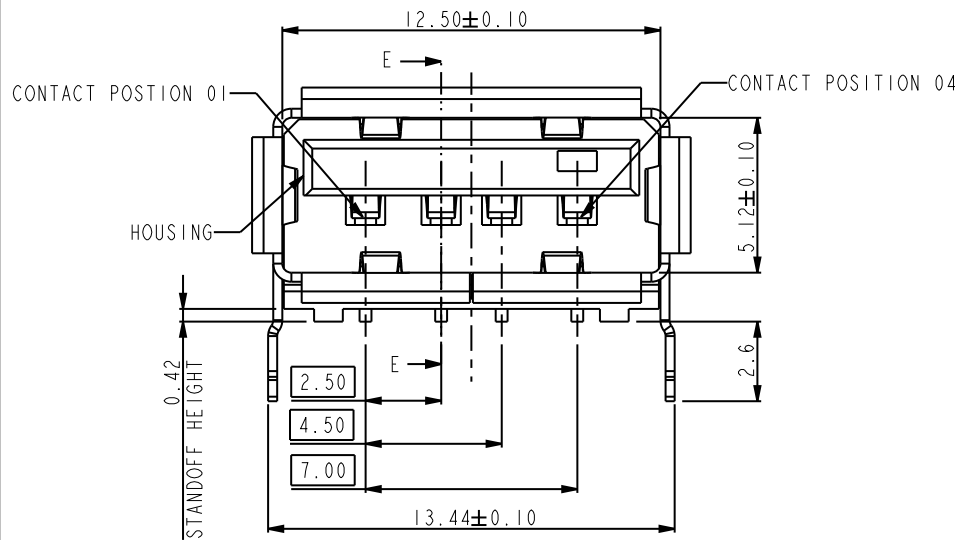


- NOTES:
- MATERIAL:  
 TERMINAL: COPPER ALLOY  
 SHELL: COPPER ALLOY  
 HOUSING: THERMOPLASTIC, UL94 V-0;
  - PLATING: SEE PART NUMBER CODE;
  - DATUM AND BASIC DIMENSIONS ESTABLISHED BY CUTOMER;
  - RECOMMENDED PCB THICKNESS IS 1.57MM;
  - 2.67MM MAXIMUM PANEL THICKNESS IF MOUNTED BEHIND PANEL;
  - PRODUCT SPECIFICATION: GS-12-095;
  - PACKAGE SPECIFICATION: GS-14-393;
  - COMPLIED WITH USB 2.0 AND TID NUMBER 60000205;
  - 87583-3010XXX DURABILITY MEET 9,000 CYCLES,  
 AND THE OTHER PART MEET USB 2.0 1,500 CYCLES;  
 (TO BE CONTINUED ON PAGE 3)



Copyright FCI.

rev	ecn no	dr	date
W	N07-0304	R.B	12/31/2007
X	N08-0162	R.B	08/06/2008
Y	N08-0238	R.B	11/03/2008
AA	N09-0356	R.B	11/05/2009
AB	N10-0260	K.W	08/17/2010
V	N07-0050	WG	02/13/2007

www.fciconnect.com		surface	<input checked="" type="checkbox"/>	tolerance std	projection	MM
		TOLERANCES UNLESS OTHERWISE SPECIFIED				
Dr	PETER	3/18/98	ANGULAR	0.X	±0.30	size A4
Eng	R Y LIU	3/18/98	LINEAR	0.XX	±0.20	Scale 4.000
Chr	R Y LIU	3/18/98	0° ±2°	0.XXX	±0.10	ECN N10-0260
Appr	JENN TSAO	3/18/98	Product family		Spec ref	
		title UNIV. SERIAL BUS S.M.		dwg no 87583		Rev. AB
		RECEPTACLE		CUSTOMER		sheet 1 of 3
		catalog no				

REV F - 2006-04-17

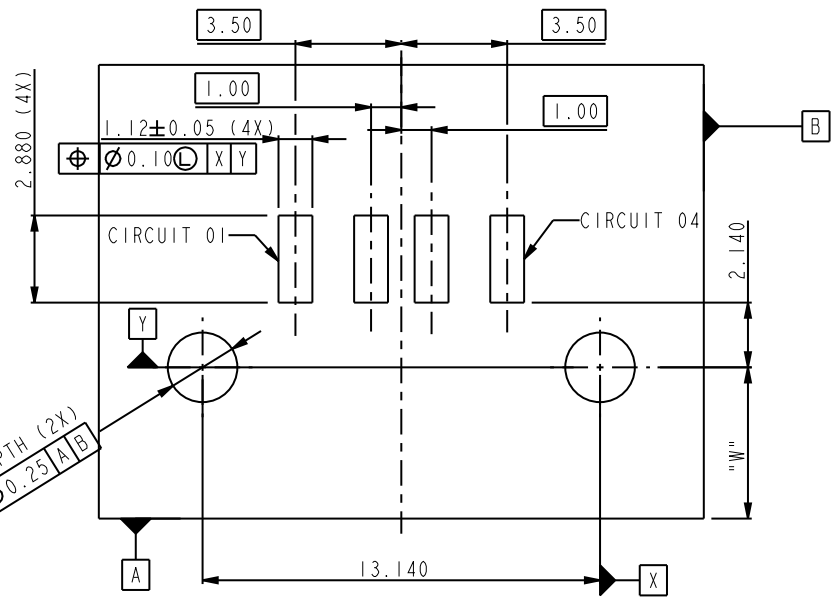


Copyright FCI.

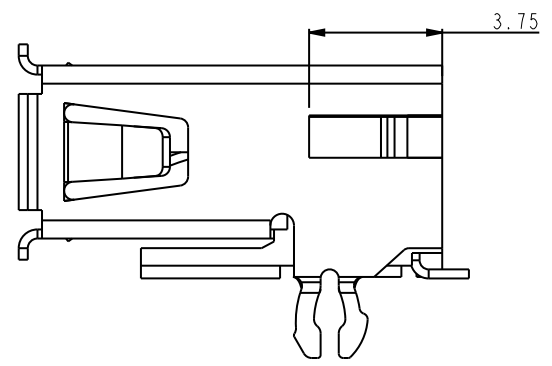
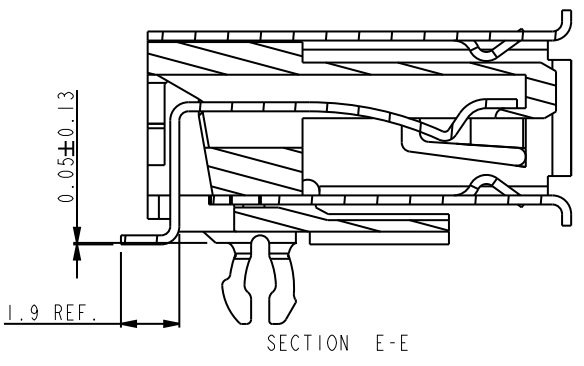
C

D

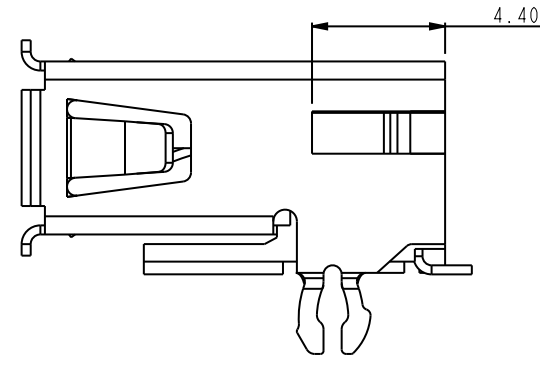
REV F - 2006-04-17



RECOMMENDED PCB LAYOUT  
COMPONENT SIDE  
TOLERANCE: ±0.05



MEET DURABILITY 1,500 CYCLES P/N: 87583-2010XXX



MEET DURABILITY 9,000 CYCLES P/N: 87583-3010XXX

www.fciconnect.com			surface	✓	tolerance std	projection	MM
			TOLERANCES UNLESS OTHERWISE SPECIFIED				← →
Dr	PETER	3/18/98	ANGULAR	LINEAR	0.X	±0.30	size A4
Eng	R Y LIU	3/18/98			0.XX	±0.20	
Chr	R Y LIU	3/18/98			0.XXX	±0.10	
Appr	JENN TSAO	3/18/98	Product family			Spec ref	
		title UNIV. SERIAL BUS S.M.			dwg no 87583		Rev. AB
		catalog no			CUSTOMER		sheet 2 of 3

# PRODUCT NUMBER CODE

87583 - X X X X X P X LF

BASE PRODUCT NUMBER

HOUSING COLOR OPTIONS

- 0 - WHITE+TIN OVER NICKLE UNDERPLATE
- 1 - BLACK+TIN OVER NICKLE UNDERPLATE
- 2 - WHITE+SHELL Ni PLATING ONLY
- 3 - BLACK+SHELL Ni PLATING ONLY
- S - BLACK+SHELL Ni PLATING ONLY (SPECIAL MATERIAL FOR 12,000 DURABILITY CYCLES)

SHELL OPTION

- 0 - NO BACK SHIELD

MOUNTING HOLE OPTIONS

- 1 - NONE

TERMINAL PLATING OPTION

- 0 - 50u" Ni UNDERPLATE
- 30u" GXT CONTACT AREA
- 100u" TIN TAIL AREA

PACKAGING OPTIONS

- B - TUBES
- R - TAPE & REEL

DATE CODE

- A FOR AUTOMOTIVE APPLICATION
- H FOR HPO SMT

LEAD FREE OPTION

## AVAILABLE P/N LIST

87583-0010BHLF	
87583-0010BLF	OB
87583-0010RLF	OB
87583-1010BLF	OB
87583-1010RPAFL	
87583-1010RPLF	OB
87583-2010BLF	
87583-2010BPLF	
87583-2010RLF	
87583-2010RPLF	
87583-3010BLF	
87583-3010BPLF	
87583-3010RPAFL	
87583-3010RPLF	
87583-S010XPLF	



Copyright FCI.

(CONTINUE)

9. P/N'S WITH SUFFIX "LF" ARE LEAD FREE P/N'S
10. FOR LEAD FREE P/N, THE PRODUCT MEET EUROPEAN UNION DIRECTIVES AND OTHER COUNTRY REGULATION AS DESCRIBED IN GS-22-008
11. THE HOUSING WILL WITHSTAND EXPOSURE TO 260°C PEAK TEMPERATURE FOR 40 SECONDS IN A CONVECTION, INFRO-RED OR VAPOR PHASE REFLOW OVEN.
12. FOR AUTOMOTIVE APPLICATION: ALL THE TOLERANCES ".XX" ARE ±0.10 UNLESS OTHER SPECIAL NOTIFICATION

www.fciconnect.com		surface <input checked="" type="checkbox"/>	tolerance std	projection	MM
		TOLERANCES UNLESS OTHERWISE SPECIFIED			
Dr	PETER	3/18/98	ANGULAR	0.X	±0.30
Eng	R Y LIU	3/18/98	LINEAR	0.XX	±0.20
Chr	R Y LIU	3/18/98	0° ±2°	0.XXX	±0.10
Appr	JENN TSAO	3/18/98	Product family	size A4	Scale 4.000
				ECN N10-0260	
				Spec ref	
		title UNIV. SERIAL BUS S.M.		dwg no 87583	Rev. AB
		RECEPTACLE		CUSTOMER	sheet 3 of 3
		catalog no			