

4

3

2

1

THIS DRAWING IS UNPUBLISHED.		RELEASED FOR PUBLICATION	
© COPYRIGHT - By -		ALL RIGHTS RESERVED.	
PROJECT	PRJ-16-000909157		
PART NO.	X-2308342-X		
DESCRIPTION	FULL METAL HOODS SIZE 3		
CUSTOMER	GENERAL MARKET		

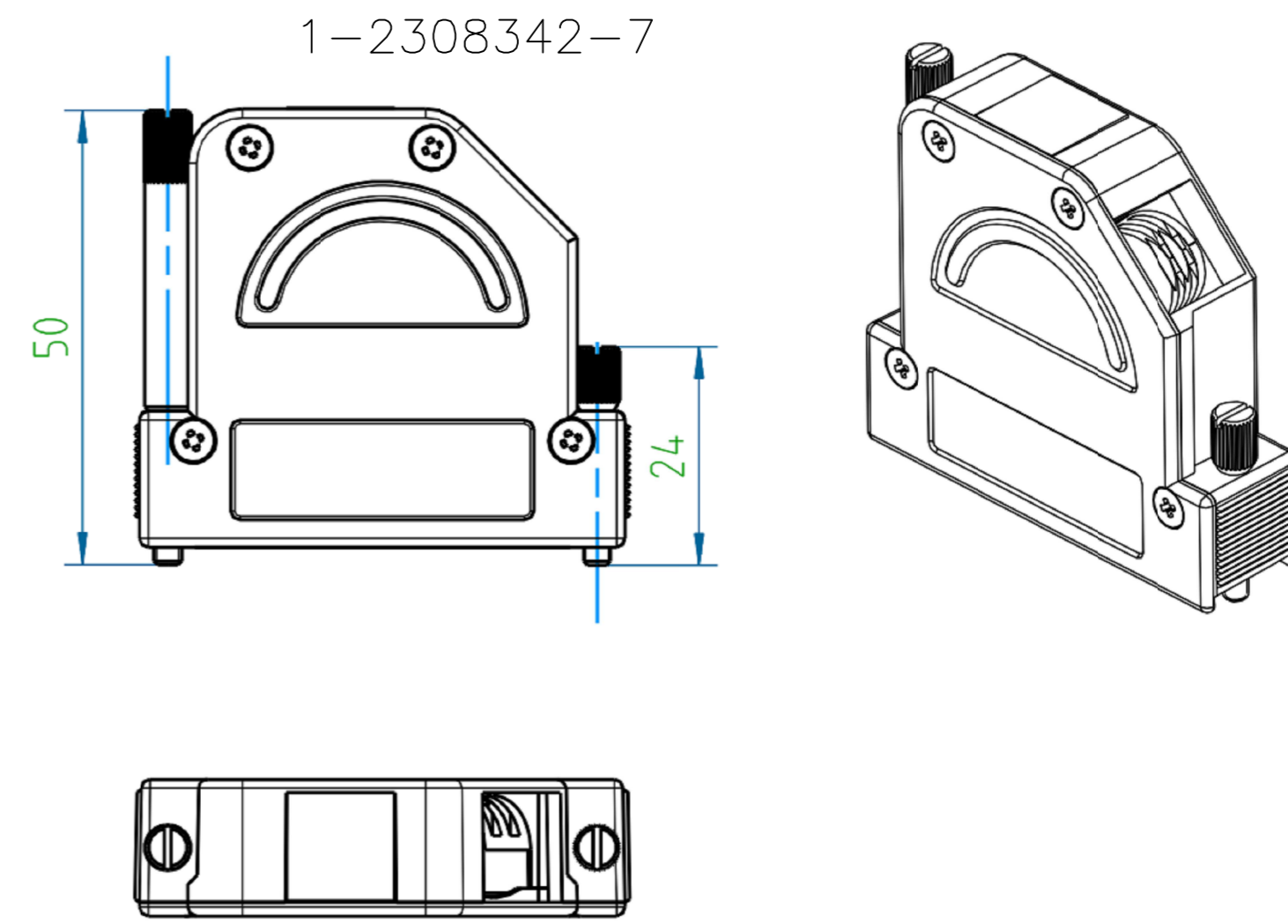
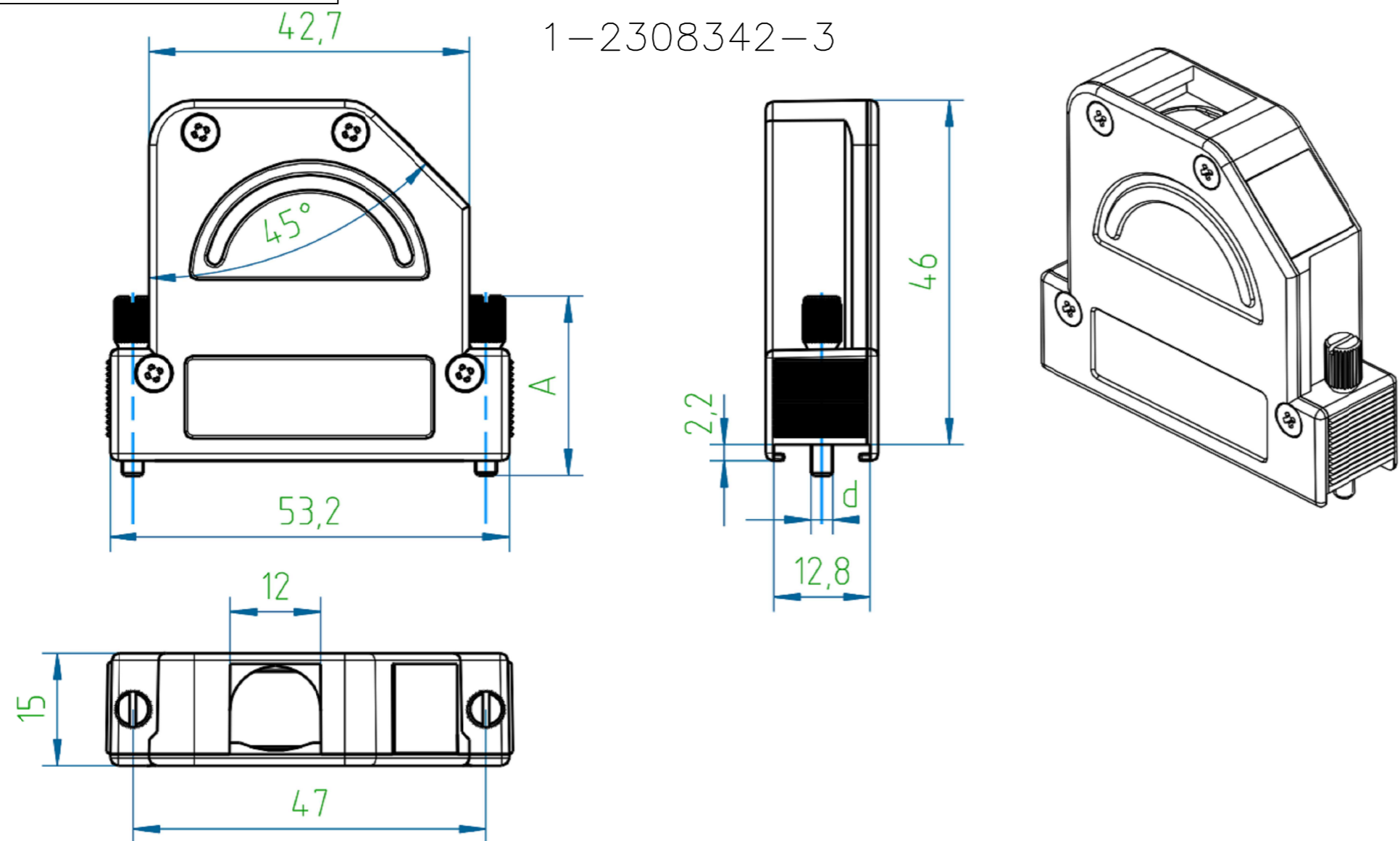
REVISIONS					
P	LTR	DESCRIPTION	DATE	DWN	APVD
	A1	REVISED PER ECR-16-013123	19SEP2016	KK	GG

D

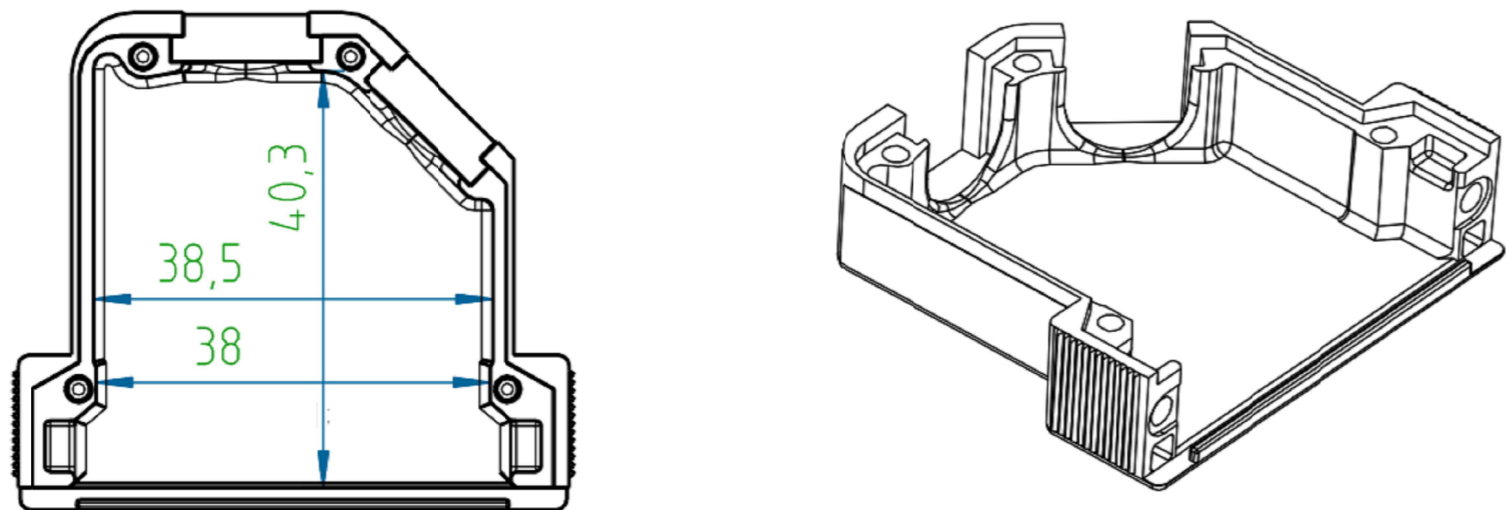
C

B

A



Case



- NOTES:
- FINISH:
1-2308342-1 TO 1-2308342-8 - CASE RAW
1-2308342-9 TO 2-2308342-6 - CASE NICKEL-PLATED
 - LOCKING SCREWS: NICKEL-PLATED
OTHER SCREWS: ZINC-PLATED
 - TEMPERATURE RANGE: -40°C TO +90°C
 - CABLE DIAMETER WITH EXTERNAL DIAMETER CABLE CLAMP: 4-14 mm.
 - STRAND DIAMETER OF CRIMP FLANGE: 2.7-8.7 mm.

THIS DRAWING IS A CONTROLLED DOCUMENT.		DWN KIRAN K 02AUG2016		
DIMENSIONS: mm		CHK GUNASEKHAR G 02AUG2016		
TOLERANCES UNLESS OTHERWISE SPECIFIED: DIN ISO 2768-m DIN 16901 130B		APVD GUNASEKHAR G 02AUG2016	NAME FULL METAL HOODS SIZE 3	
		PRODUCT SPEC	RESTRICTED TO	
MATERIAL		APPLICATION SPEC	SIZE A2	CAGE CODE 00779
FINISH		WEIGHT	DRAWING NO G=2308342	REV A1
		CUSTOMER DRAWING	SCALE NTS	SHEET 1 of 2

2308342

THIS DRAWING IS UNPUBLISHED.

RELEASED FOR PUBLICATION

ALL RIGHTS RESERVED.

© COPYRIGHT - By -

REVISIONS

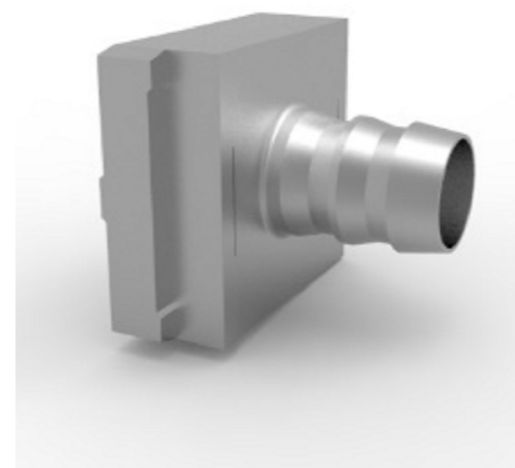
P	LTR	DESCRIPTION	DATE	DWN	APVD
-	-	SEE SHEET 1	-	-	-

PART NO.	DESCRIPTION	SUB-PART NO.	DESCRIPTION	A	d	WEIGHT, g
1-2308342-8	FULL METAL HOODS SIZE3-8	1-2308334-6	LOCKING SCREW (M3 LONG KNURLED)	S OVER	M3	72
1-2308342-7	FULL METAL HOODS SIZE3-7	1-2308334-5	LOCKING SCREW (4-40 UNC LONG KNURLED)		4-40 UNC	72
1-2308342-6	FULL METAL HOODS SIZE3-6	1-2308334-6	LOCKING SCREW (M3 LONG KNURLED)	50.0	M3	75
1-2308342-5	FULL METAL HOODS SIZE3-5	1-2308334-5	LOCKING SCREW (4-40 UNC LONG KNURLED)	50.0	4-40 UNC	75
1-2308342-4	FULL METAL HOODS SIZE3-4	1-2308334-4	LOCKING SCREW (M3 SHORT KNURLED)	24.0	M3	67
1-2308342-3	FULL METAL HOODS SIZE3-3	1-2308334-3	LOCKING SCREW (4-40 UNC SHORT KNURLED)	24.0	4-40 UNC	67
1-2308342-2	FULL METAL HOODS SIZE3-2	1-2308334-2	LOCKING SCREW (M3 W/SPRING WASHER)	20.7	M3	66
1-2308342-1	FULL METAL HOODS SIZE3-1	1-2308334-1	LOCKING SCREW (4-40 UNC W/SPRING WASHER)	20.7	4-40 UNC	66
PART NO. (CASE RAW)		LOCKING SCREWS				

PART NO.	DESCRIPTION	SUB-PART NO.	DESCRIPTION	A	d	WEIGHT, g
2-2308342-6	FULL METAL HOODS SIZE3-16	1-2308334-6	LOCKING SCREW (M3 LONG KNURLED)	S OVER	M3	72
2-2308342-5	FULL METAL HOODS SIZE3-15	1-2308334-5	LOCKING SCREW (4-40 UNC LONG KNURLED)		4-40 UNC	72
2-2308342-4	FULL METAL HOODS SIZE3-14	1-2308334-6	LOCKING SCREW (M3 LONG KNURLED)	50.0	M3	75
2-2308342-3	FULL METAL HOODS SIZE3-13	1-2308334-5	LOCKING SCREW (4-40 UNC LONG KNURLED)	50.0	4-40 UNC	75
2-2308342-2	FULL METAL HOODS SIZE3-12	1-2308334-4	LOCKING SCREW (M3 SHORT KNURLED)	24.0	M3	67
2-2308342-1	FULL METAL HOODS SIZE3-11	1-2308334-3	LOCKING SCREW (4-40 UNC SHORT KNURLED)	24.0	4-40 UNC	67
2-2308342-0	FULL METAL HOODS SIZE3-10	1-2308334-2	LOCKING SCREW (M3 W/SPRING WASHER)	20.7	M3	66
1-2308342-9	FULL METAL HOODS SIZE3-9	1-2308334-1	LOCKING SCREW (4-40 UNC W/SPRING WASHER)	20.7	4-40 UNC	66
PART NO. (CASE Ni-PLATED)		LOCKING SCREWS				

NOTE:

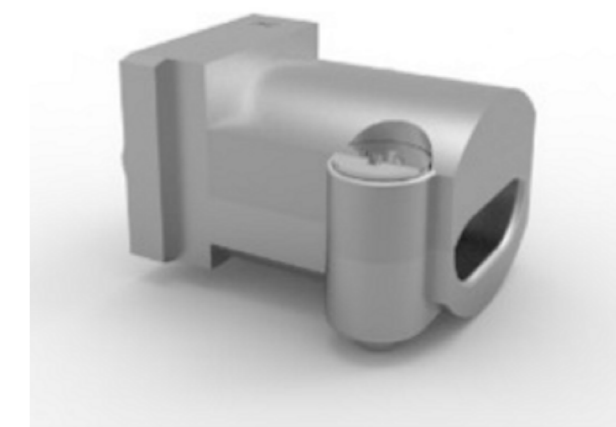
- * CRIMP FLANGE PN *-2308349-* TO BE ORDERED SEPARATELY.
- * CRIMP BARREL TO BE USED IN COMBINATION WITH THE FLANGE PN *-2308350-* TO BE ORDERED SEPARATELY.
- * CABLE CLAMP SCREW VERSION PN *-2308272-* TO BE ORDERED SEPARATELY.



CRIMP FLANGE



CRIMP BARREL



CABLE CLAMP

THIS DRAWING IS A CONTROLLED DOCUMENT.		DWN KIRAN K 02AUG2016		
DIMENSIONS: mm		CHK GUNASEKHAR G 02AUG2016		
TOLERANCES UNLESS OTHERWISE SPECIFIED: DIN ISO 2768-m DIN 16901 130B		APVD GUNASEKHAR G 02AUG2016	NAME FULL METAL HOODS SIZE 3	
0 PLC ± - 1 PLC ± - 2 PLC ± - 3 PLC ± - 4 PLC ± - ANGLES ± -		PRODUCT SPEC APPLICATION SPEC	SIZE A2	CAGE CODE 00779
MATERIAL -		FINISH -	DRAWING NO G=2308342	RESTRICTED TO -
CUSTOMER DRAWING			SCALE NTS	SHEET 2 of 2
			REV A1	