

4

3

2

1

THIS DRAWING IS UNPUBLISHED.

RELEASED FOR PUBLICATION

ALL RIGHTS RESERVED.

PROJECT	PRJ-16-000909157
PART NO.	X-2308342-X
DESCRIPTION	FULL METAL HOODS SIZE 3
CUSTOMER	GENERAL MARKET

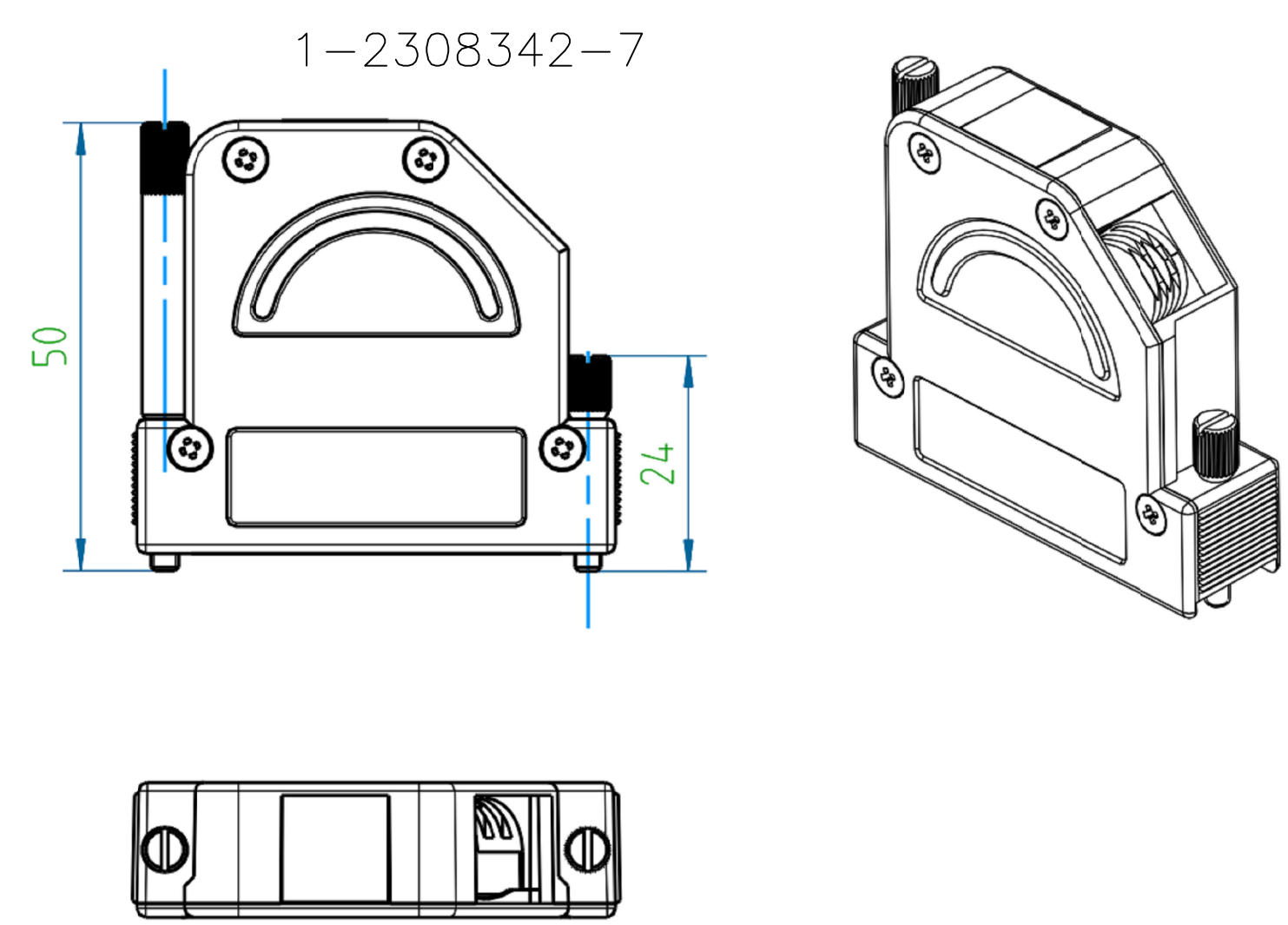
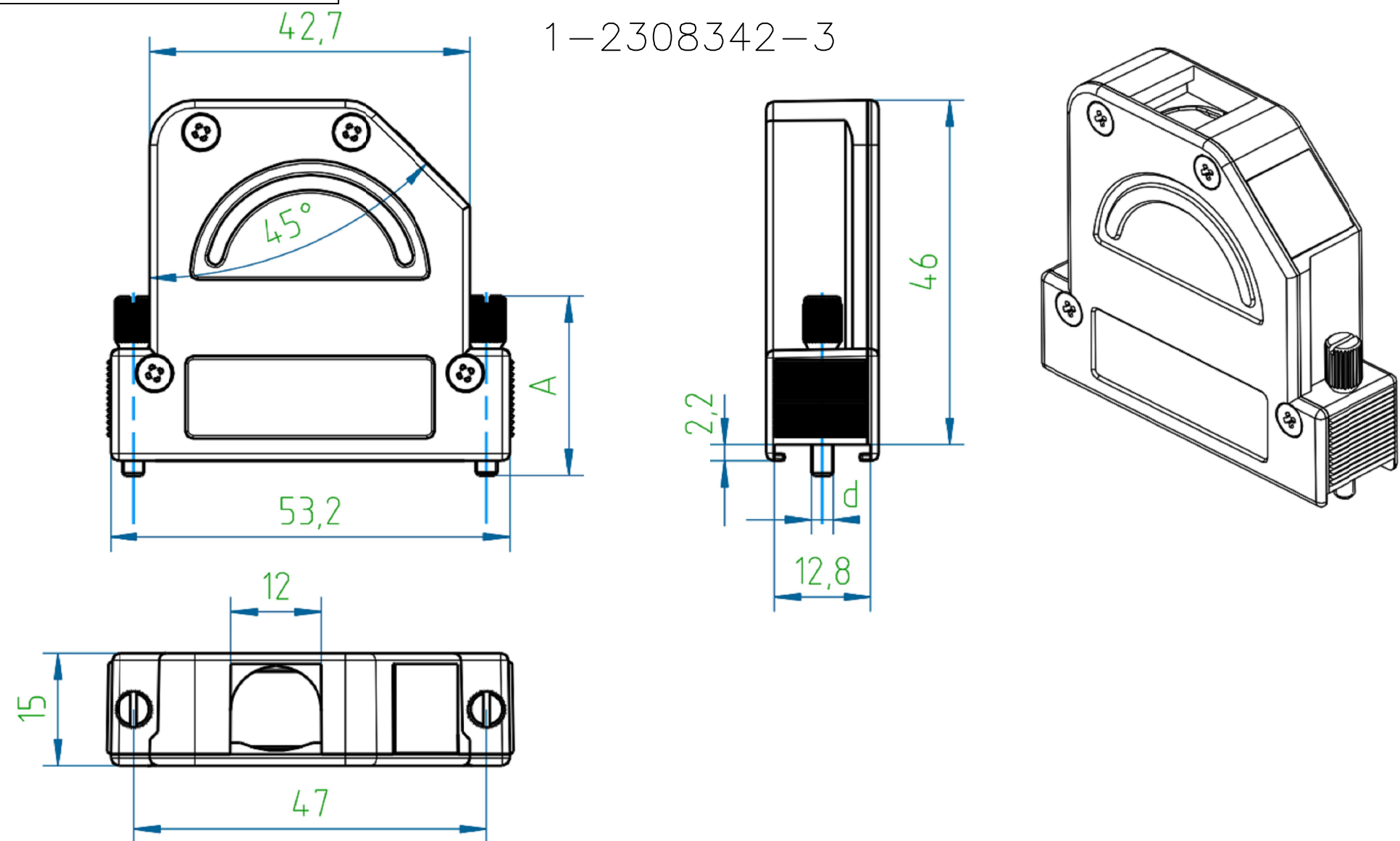
REVISIONS					
P	LTR	DESCRIPTION	DATE	DWN	APVD
	A1	REVISED PER ECR-16-013123	19SEP2016	KK	GG

D

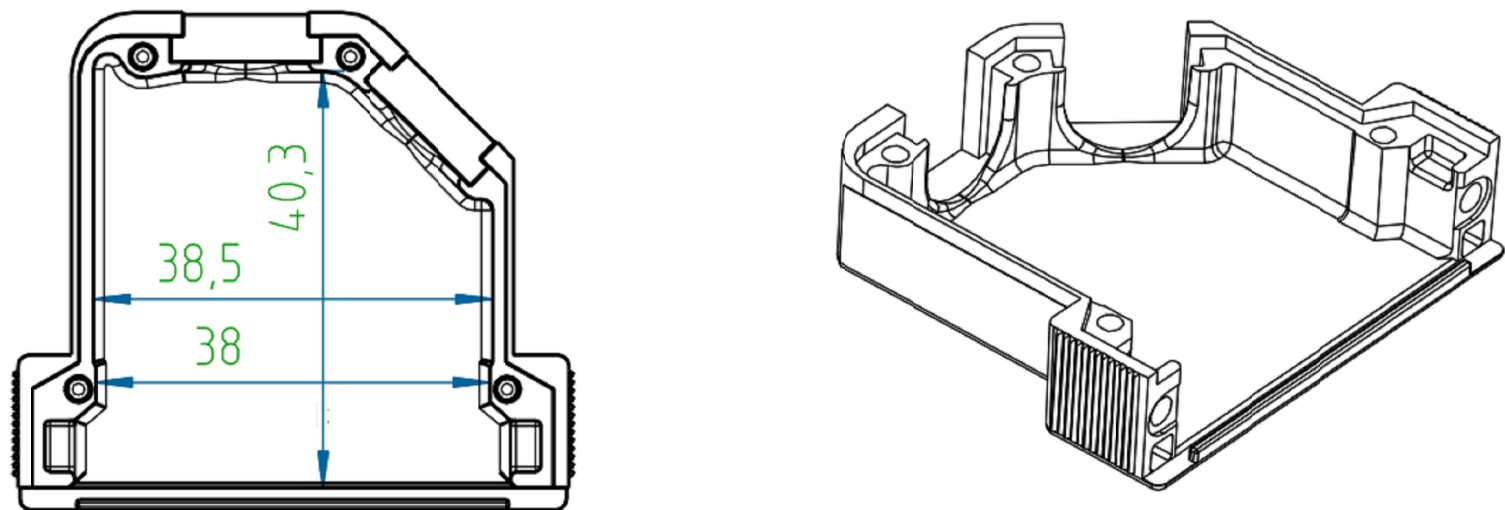
C

B

A



Case



NOTES:

- FINISH:  
1-2308342-1 TO 1-2308342-8 - CASE RAW  
1-2308342-9 TO 2-2308342-6 - CASE NICKEL-PLATED
- LOCKING SCREWS: NICKEL-PLATED  
OTHER SCREWS: ZINC-PLATED
- TEMPERATURE RANGE: -40°C TO +90°C
- CABLE DIAMETER WITH EXTERNAL DIAMETER CABLE CLAMP: 4-14 mm.
- STRAND DIAMETER OF CRIMP FLANGE: 2.7-8.7 mm.

THIS DRAWING IS A CONTROLLED DOCUMENT.		DWN KIRAN K 02AUG2016		
DIMENSIONS: mm		CHK GUNASEKHAR G 02AUG2016		
TOLERANCES UNLESS OTHERWISE SPECIFIED: DIN ISO 2768-m DIN 16901 130B		APVD GUNASEKHAR G 02AUG2016	PRODUCT SPEC	RESTRICTED TO
		APPLICATION SPEC	SCALE	SHEET
MATERIAL	FINISH	WEIGHT	A2 00779 G=2308342	1 of 2
CUSTOMER DRAWING		SCALE	NTS	REV
				A1

THIS DRAWING IS UNPUBLISHED.

RELEASED FOR PUBLICATION

--

© COPYRIGHT - By -

ALL RIGHTS RESERVED.

REVISIONS

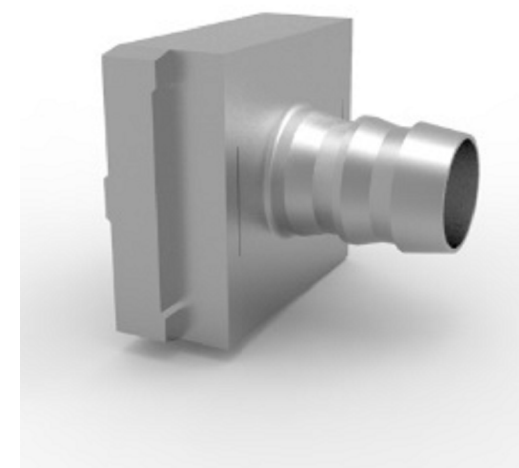
P	LTR	DESCRIPTION	DATE	DWN	APVD
-	-	SEE SHEET 1	-	-	-

PART NO.	DESCRIPTION	SUB-PART NO.	DESCRIPTION	A	d	WEIGHT, g	
1-2308342-8	FULL METAL HOODS SIZE3-8	1-2308334-6	1-2308334-4 LOCKING SCREW (M3 LONG KNURLED)	S OVER	M3	72	
1-2308342-7	FULL METAL HOODS SIZE3-7	1-2308334-5	1-2308334-3 LOCKING SCREW (4-40 UNC LONG KNURLED)		4-40 UNC	72	
1-2308342-6	FULL METAL HOODS SIZE3-6	1-2308334-6	LOCKING SCREW (M3 LONG KNURLED)	50.0	M3	75	
1-2308342-5	FULL METAL HOODS SIZE3-5	1-2308334-5	LOCKING SCREW (4-40 UNC LONG KNURLED)	50.0	4-40 UNC	75	
1-2308342-4	FULL METAL HOODS SIZE3-4	1-2308334-4	LOCKING SCREW (M3 SHORT KNURLED)	24.0	M3	67	
1-2308342-3	FULL METAL HOODS SIZE3-3	1-2308334-3	LOCKING SCREW (4-40 UNC SHORT KNURLED)	24.0	4-40 UNC	67	
1-2308342-2	FULL METAL HOODS SIZE3-2	1-2308334-2	LOCKING SCREW (M3 W/SPRING WASHER)	20.7	M3	66	
1-2308342-1	FULL METAL HOODS SIZE3-1	1-2308334-1	LOCKING SCREW (4-40 UNC W/SPRING WASHER)	20.7	4-40 UNC	66	
PART NO. (CASE RAW)		LOCKING SCREWS					

PART NO.	DESCRIPTION	SUB-PART NO.	DESCRIPTION	A	d	WEIGHT, g	
2-2308342-6	FULL METAL HOODS SIZE3-16	1-2308334-6	1-2308334-4 LOCKING SCREW (M3 LONG KNURLED)	S OVER	M3	72	
2-2308342-5	FULL METAL HOODS SIZE3-15	1-2308334-5	1-2308334-3 LOCKING SCREW (4-40 UNC LONG KNURLED)		4-40 UNC	72	
2-2308342-4	FULL METAL HOODS SIZE3-14	1-2308334-6	LOCKING SCREW (M3 LONG KNURLED)	50.0	M3	75	
2-2308342-3	FULL METAL HOODS SIZE3-13	1-2308334-5	LOCKING SCREW (4-40 UNC LONG KNURLED)	50.0	4-40 UNC	75	
2-2308342-2	FULL METAL HOODS SIZE3-12	1-2308334-4	LOCKING SCREW (M3 SHORT KNURLED)	24.0	M3	67	
2-2308342-1	FULL METAL HOODS SIZE3-11	1-2308334-3	LOCKING SCREW (4-40 UNC SHORT KNURLED)	24.0	4-40 UNC	67	
2-2308342-0	FULL METAL HOODS SIZE3-10	1-2308334-2	LOCKING SCREW (M3 W/SPRING WASHER)	20.7	M3	66	
1-2308342-9	FULL METAL HOODS SIZE3-9	1-2308334-1	LOCKING SCREW (4-40 UNC W/SPRING WASHER)	20.7	4-40 UNC	66	
PART NO. (CASE Ni-PLATED)		LOCKING SCREWS					

NOTE:

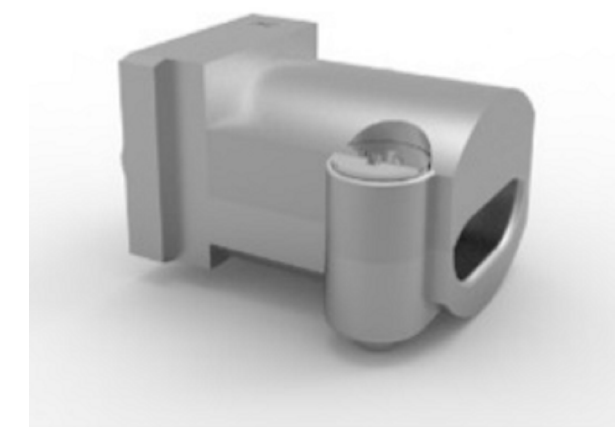
- \* CRIMP FLANGE PN \*-2308349-\* TO BE ORDERED SEPARATELY.
- \* CRIMP BARREL TO BE USED IN COMBINATION WITH THE FLANGE PN \*-2308350-\* TO BE ORDERED SEPARATELY.
- \* CABLE CLAMP SCREW VERSION PN \*-2308272-\* TO BE ORDERED SEPARATELY.



CRIMP FLANGE



CRIMP BARREL



CABLE CLAMP

THIS DRAWING IS A CONTROLLED DOCUMENT.		DWN KIRAN K 02AUG2016		
DIMENSIONS: mm		CHK GUNASEKHAR G 02AUG2016		
TOLERANCES UNLESS OTHERWISE SPECIFIED: DIN ISO 2768-m DIN 16901 130B		APVD GUNASEKHAR G 02AUG2016	NAME FULL METAL HOODS SIZE 3	
		PRODUCT SPEC	SIZE A2	
MATERIAL		APPLICATION SPEC	CAGE CODE 00779	DRAWING NO G=2308342
FINISH		WEIGHT	RESTRICTED TO	
		CUSTOMER DRAWING	SCALE NTS	SHEET 2 of 2
			REV A1	