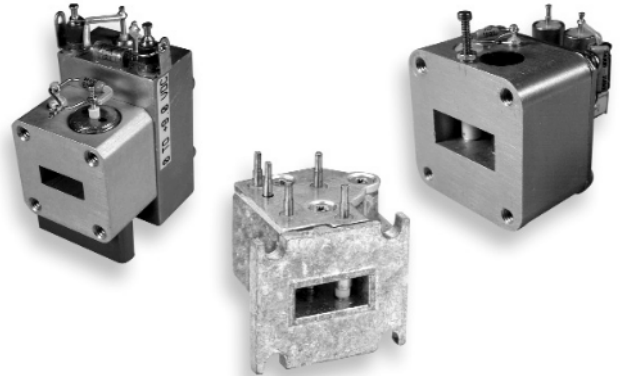


## Features

- Electronic Frequency Control
- High Doppler Sensitivity Levels
- Low AM and FM Noise Levels
- Direction-of-Motion Sensing
- Compact Size
- Pulsed Transceivers Available



## Applications

- FM Doppler Radar Systems
- Altimeters
- Police Radars
- Intrusion Alarm Systems
- Traffic Control Systems
- Automotive Collision Avoidance Systems

## Description

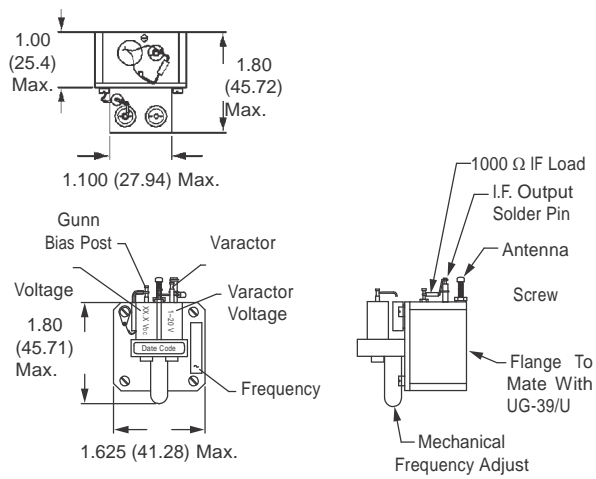
Microsemi's voltage controlled transceivers provide affordable frequency-modulated microwave power at fixed frequencies. The varactor tuning of the transceiver permits carrier frequency modulation for ranging information. These are CW transceivers; pulsed microwave transceivers are available on request.

## Specifications @ 25°C

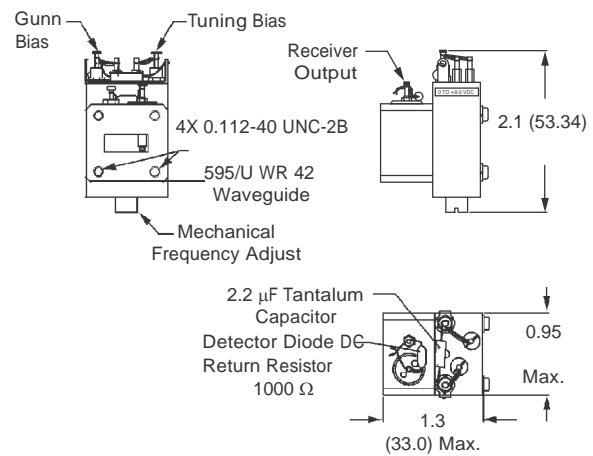
Model Number	Frequency (GHz) <sup>1</sup>	Min. Output Power (mW)	Frequency Drift/ Temperature (KHz/°C)	Nominal Sensitivity (dBc)	Min. Electronic Tuning Range (MHz)	Tuning Voltage (V <sub>DC</sub> )	Operating Voltage (V <sub>DC</sub> )	Typ. Operating Current (mA)
<i>X Band Voltage Controlled Transceivers</i>								
MO87127-1	10.30	10	400	-110	40	+1 to +20	+8 to +10	200
MO87127-2	10.30	20	400	-110	40	+1 to +20	+8 to +10	600
MO87127-3	10.30	35	400	-110	40	+1 to +20	+8 to +10	600
<i>K Band Voltage Controlled Transceivers</i>								
MO9071	24.125	5	1000	-90	50	+1 to +20	5	150
MO9072 <sup>2</sup>	24.125	5	1000	-90	50	+1 to +20	5	150
MO87849	24.125	5	500	-95	150	+0.5 to +20	+5 to +8	400
MO87930	24.125	5 to 10	500	-95	350	0 to +9	+5 to +8	400
<i>Ka Band Voltage Controlled Transceivers</i>								
MO9410-1	35.5 ± 0.1	7.5	1000	-90	100	+1 to +20	3.5–6.0	350
MO9410-2	34.7 ± 0.1	7.5	1000	-90	100	+1 to +20	3.5–6.0	350
MO9410-3	33.8 ± 0.1	7.5	1000	-90	100	+1 to +20	3.5–6.0	350

1. All X Band transceivers have built-in circulators.
  2. M09072 has dual IF output.
- Other frequencies and power levels available upon request.

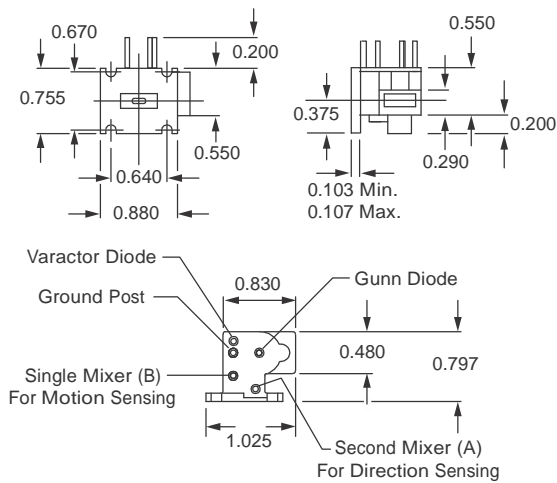
Operating temperature is -30°C to +70°C.  
Storage temperature is -40°C to +85°C.

**MO87127-1, 2, 3**


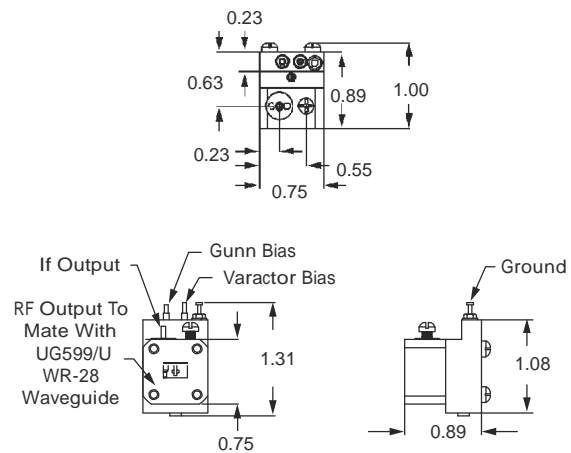
Dimensions are in inches.

**MO87930, MO87849**


Dimensions are in inches.

**MO9071, MO9072**


Dimensions are in inches.

**MO9410-1, 2, 3**


Dimensions are in inches.

# Mouser Electronics

Authorized Distributor

Click to View Pricing, Inventory, Delivery & Lifecycle Information:

[Microchip:](#)

[MO9072](#) [MO9410-2](#)