

# MLX80002/MLX80004

## Enhanced Universal Dual/Quad LIN Transceiver Datasheet

### 1. Features and Benefits

- LIN 2.x/SAE J2602 and ISO17987-4 compliant
- Quad/Dual - enhanced master transceiver function for each channel
- Backward compatible to quad-channel master transceiver MLX80001
- Lowest space (QFN4x4, wettable flanks) and minimized external components
- Quad/Dual versions with same package and foot print for cost/space optimized design
- Slew rate selection and High Speed Flash mode
- Wide operating voltage range  $V_s = 5$  to 27 V
- Fully compatible to 3.3V and 5V devices
- Very low standby current consumption of (typ) 10 $\mu$ A in sleep mode
- WAKE input for local wake-up capability
- Remote and local wake-up source recognition
- Control output INH for external components
- Integrated termination (resistor & decoupling diode) for both LIN master & slave nodes
- TxD dominant time out function in slave configuration
- RxD dominant time out function in master configuration
- Sleep timer
- Low EME (emission) and high EMI (immunity) level
- High impedance LIN pin in case of loss of ground or battery
- Enhanced ESD robustness
  - +/- 10kV according to IEC 61000-4-2 for pins LIN, Vs and WAKE

### 2. Ordering Information

Product Code	Temperature Code	Package Code	Option Code	Packing Form Code
MLX80002	K	LW	CAA-001	RE
MLX80004	K	LW	BAA-001	RE

**Legend:**

Temperature Code:	K = -40 to 125°C
Package Code:	LW = Quad Flat Package (QFN), wettable flanks
Option Code:	BAA-001 = Design Revision
Packing Form:	RE = Reel
Ordering example:	MLX80004 K LW-BAA-001-RE

## 3. General Description

The MLX80004(2) is a quad/dual LIN transceiver physical layer device for a single wire data link capable of operating in applications using baud rates up to 20kBd. It is compliant to LIN2.x as well as to the SAE J2602 specifications. The IC furthermore can be used in ISO9141 systems. The MLX80004 is functionally compatible to the MLX80001 quad master LIN transceiver.

The device is flexible for use in LIN – master applications and slave applications as well. Due to the integrated master termination and the high ESD/EMC robustness of the device a minimum space and number of external components is required.

The number of LIN – channels can be easily adapted on the application requirements by combinations of quad and dual channel devices within the same foot print.

Because of the very low power consumption of the MLX80004 while being in sleep mode it's suitable for ECU applications with hard standby current requirements. The implemented high resistive LIN - termination in sleep mode as well as the RxD dominant time-out feature allows a comfortable handling of LIN short circuits to GND.

In order to reduce the power consumption in case of failure modes, the integrated sleep timer takes care for switching the IC into the most power saving sleep mode after Power-On or Wake-Up events are not followed by a mode change response of the microcontroller.

The MLX80004/2 has an improved EMI performance and ESD robustness according to the OEM Common Hardware Requirements for LIN in Automotive Applications Rev.1.2.

By using the MODE0/1 pins the application can be easily adapted on the required baud rate in order to optimize the EMC emissions. A high speed Flash Mode with disabled slew rate control is available as well.

To fulfill different OEM requirements, the integrated master termination can be disabled and external master resistors and decoupling diodes can be used. In this mode the MLX80004/2 can be used in slave applications as well.

## 4. Table of Contents

<b>1.</b>	<b>Features and Benefits.....</b>	<b>1</b>
<b>2.</b>	<b>Ordering Information .....</b>	<b>1</b>
<b>3.</b>	<b>General Description .....</b>	<b>2</b>
<b>4.</b>	<b>Table of Contents .....</b>	<b>3</b>
<b>5.</b>	<b>Block Diagram .....</b>	<b>5</b>
<b>6.</b>	<b>Pin Description .....</b>	<b>6</b>
<b>7.</b>	<b>Electrical Specification.....</b>	<b>7</b>
7.1	Operating Conditions .....	7
7.2	Absolute Maximum Ratings .....	8
7.3	Static Characteristics .....	9
7.4	Dynamic Characteristics.....	12
7.4.1	Duty Cycle Calculation .....	13
<b>8.</b>	<b>Functional Description .....</b>	<b>15</b>
8.1	Operating Modes.....	16
8.2	Initialization and Standby mode .....	16
8.3	Active Modes .....	16
8.3.1	High Speed mode.....	17
8.3.2	Low speed mode.....	17
8.3.3	Normal speed mode .....	17
8.4	Sleep Mode.....	17
8.5	Wake Up.....	18
8.6	Wake Up Source Recognition .....	18
8.7	Master / Slave configuration .....	21
<b>9.</b>	<b>Fail-safe Features .....</b>	<b>22</b>
9.1	Loss of battery .....	22
9.2	Loss of Ground.....	22
9.3	Short circuit to battery.....	22
9.4	Ground shift and short circuit to ground .....	22
9.5	Thermal overload .....	22
9.6	Undervoltage lock out.....	22
9.7	Open Circuit protection .....	22
9.8	TxDx faulty start protection .....	23
9.9	RxDx dominant time-out.....	23
9.10	TxDx dominant time-out .....	23
<b>10.</b>	<b>Application Example.....</b>	<b>24</b>
10.1	Enhanced Master Mode.....	24
10.2	Standard Transceiver Mode.....	25

10.3	Application Circuitry for EMC .....	26
10.3.1	External Circuitry on Supply Lines .....	27
10.3.2	External Circuitry on LIN Lines.....	27
10.3.3	External Circuitry on Signal Lines.....	27
<b>11.</b>	<b>Mechanical Specification QFN24 .....</b>	<b>28</b>
<b>12.</b>	<b>Package Marking Information.....</b>	<b>29</b>
<b>13.</b>	<b>Tape and Reel Specification.....</b>	<b>30</b>
<b>14.</b>	<b>ESD and EMC.....</b>	<b>33</b>
14.1	Automotive Qualification Test Pulses.....	33
14.2	Test Pulses On supply Lines .....	33
14.3	Test pulses on Pin LIN.....	34
14.4	Test pulses on signal lines.....	34
14.5	Test circuitry for automotive transients.....	35
14.6	EMC Test pulse definition .....	36
<b>15.</b>	<b>Standard information regarding manufacturability of Melexis products with different soldering processes .....</b>	<b>37</b>
<b>16.</b>	<b>Disclaimer .....</b>	<b>38</b>

## 5. Block Diagram



Figure 1: Block Diagram MLX80004/2.

## 6. Pin Description



Figure 2: Pinout MLX80004 QFN24 package

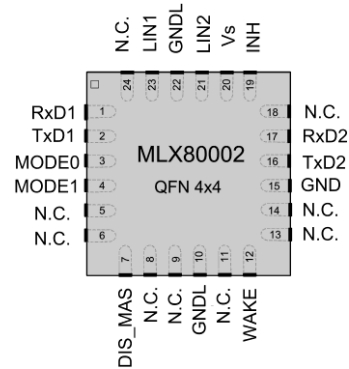


Figure 3: Pinout MLX80002 QFN24 package

Table 1: Pin List

Pin	MLX80004	MLX80002	I/O-Type	Description
1	RxD1		O	Receive Data LIN Ch1, open drain
2	TxD1		I	Transmit Data LIN Ch1 (+ local WU-Flag)
3	MODE0		I	Operating Mode Selection Input 1
4	MODE1		I	Operating Mode Selection Input 2
5	TxD4	N.C.	I	Transmit Data LIN Ch4
6	RxD4	N.C.	O	Receive Data LIN Ch4, open drain
7	DIS_MAS		I	disable integrated master resistor
8	N.C.			
9	LIN4	N.C.	I/O	LIN Bus Ch4
10	GNDL		G	Ground LIN
11	LIN3	N.C.	I/O	LIN Bus Ch3
12	WAKE		I	local wake up input, low active
13	RxD3	N.C.	O	Receive Data LIN Ch3, open drain
14	TxD3	N.C.	I	Transmit Data LIN Ch3
15	GND		G	Ground
16	TxD2		I	Transmit Data LIN Ch2
17	RxD2		O	Receive Data LIN Ch2, open drain
18	N.C.			
19	INH		O	HV High Side Control Pin
20	VS		P	Battery Voltage
21	LIN2		I/O	LIN Bus Ch2
22	GNDL		G	Ground LIN
23	LIN1		I/O	LIN Bus Ch1
24	N.C.			
EPad	GND / GNDL		G	Exposed Pad of Package (grounded heatsink) <sup>1</sup>

<sup>1</sup> For enhanced thermal and electrical performance, the exposed pad of the QFN package should be soldered to the board ground plane (and not to any other voltage level).

## 7. Electrical Specification

All voltages are referenced to ground (GND). Positive currents flow into the IC.

The absolute maximum ratings (in accordance with IEC 60 134) given in the table below are limiting values that do not lead to a permanent damage of the device but exceeding any of these limits may do so. Long term exposure to limiting values may affect the reliability of the device.

### 7.1. Operating Conditions

*Table 2: Operating Conditions*

Nr.	Parameter	Symbol	Min	Max	Unit	Remark
101	Battery supply voltage <sup>[1][2]</sup>	V <sub>s</sub>	5	27	V	
102	Extended battery supply voltage	V <sub>s_NON_OP</sub>	5	40	V	Parameter deviations allowed
103	Operating ambient temperature	T <sub>amb</sub>	-40	+125	°C	
104	Voltage on low voltage I/Os (RxDx, TxDx, MODEx)	RxDx, TxDx, MODEx	-0.3	5.5	V	

---

[1] V<sub>s</sub> is the IC supply voltage including voltage drop of reverse battery protection diode, V<sub>DROP</sub> = 0.4 to 1V,  
 [2] Operating voltage range of the LIN2.x/SAE J2602 plug & play specification is 7V...18V

## 7.2. Absolute Maximum Ratings

Table 3: Absolute Maximum Ratings

Nr.	Parameter	Symbol	Condition	Min	Max	Unit
201	Battery Supply Voltage	$V_S$	Respective to GND	-0.3	40	V
202	Transients at battery supply voltage	$V_{VS.tr1}$	ISO 7637/2 pulse 1 <sup>[1]</sup>	-100		V
203	Transients at battery supply voltage	$V_{VS.tr2}$	ISO 7637/2 pulse 2 <sup>[1]</sup>		75	V
204	Transients at high voltage signal pins	$V_{LIN.tr1}$	ISO 7637/3 pulses 1 <sup>[2]</sup>	-30		V
205	Transients at high voltage signal pins	$V_{LIN.tr2}$	ISO 7637/3 pulses 2 <sup>[2]</sup>		30	V
206	Transients at high voltage signal and power supply pins	$V_{HV.tr3}$	ISO 7637/2 pulses 3A, 3B <sup>[3]</sup>	-150	100	V
207	DC voltage LINx	$V_{LIN\_DC}$	Respective to GND and $V_S$ Loss of Ground( $V_{GND}=V_S$ )	-20 -30	40 40	V
208	DC voltage WAKE	$V_{WAKE\_DC}$	Respective to GND and $V_S$ Loss of Ground( $V_{GND}=V_S$ )	-20 -30	40 40	V
209	DC voltage INH, DIS_MAS	$V_{INH\_DC}$ $V_{DISMAS\_DC}$		-0.3	$V_S + 0.3$	V
210	DC voltage low voltage I/O's (RxDx,TxDx,MODEx)	$V_{IV\_DC}$		-0.3	7	V
211	ESD voltage, IEC 61000-4-2 <sup>[4]</sup>	$V_{ESD}$	Pin LIN, $V_S$ , WAKE	-10	10	kV
212	ESD voltage, HBM (CDF-AEC-Q100-002)	$V_{ESD}$	Pin LIN, $V_S$ , WAKE, INH vs GND	-8	8	kV
			All other pins	-3	3	kV
213	ESD voltage, CDM (CDF-AEC-Q100-011)	$V_{ESD}$		-1000	1000	V
214	Maximum latch - up free current at any Pin	$I_{LATCH}$		-500	500	mA
215	Thermal impedance	$\Theta_{JA}$	JEDEC 1s2p board		50	K/W
216	Storage temperature	$T_{stg}$		-55	150	°C
217	Junction temperature	$T_{vj}$		-40	150	°C

[1] ISO 7637/2 test pulses are applied to  $V_S$  via a reverse polarity diode and >10uF blocking capacitor.

[2] ISO 7637/3 test pulses are applied to LIN via a coupling capacitance of 100nF.

[3] ISO 7637/3 test pulses are applied to LIN via a coupling capacitance of 1nF. ISO 7637/2 test pulses are applied to  $V_S$  via a reverse polarity diode and >10uF blocking capacitor

[4] IEC 61000-4-2 validated by external Lab during product qualification (see application examples)



## 7.3. Static Characteristics

Table 4: Static Characteristics

Unless otherwise specified all values in the following tables are valid for  $V_S = 5$  to 27V and  $T_J = -40$  to 150°C. All voltages are referenced to ground (GND), positive currents flow into the IC.

Nr.	Parameter	Symbol	Condition	Min	Typ	Max	Unit
<b>PIN VS</b>							
301	Undervoltage lockout	$V_{S\_UV}$		2.4		4.8	V
302	Undervoltage lockout hysteresis <sup>[1]</sup>	$V_{S\_UV\_hys}$		0.1	0.3	0.7	V
303	Supply current, sleep mode	$I_{Ssl}$	$V_{MODex} = 0V, T_J \leq 85C$ $V_{WAKE} = V_{LINx} = V_S \leq 14V$		9	15	$\mu A$
			$V_{MODex} = 0V, T_J \leq 125C$ $V_{WAKE} = V_{LINx} = V_S \leq 18V$			20	$\mu A$
304	Supply current standby mode	$I_{SBY}$	$V_{MODex} = 0V,$ after POR or WU	100	200	400	$\mu A$
305	Supply current active mode, dominant Standard transceiver mode	$I_{Sd\_slave}$	$V_{MODex} = 5V, V_{TxD1-4} = 0V$ $DIS\_MAS = V_S (80004)$		12	15	mA
			$V_{MODex} = 5V, V_{TxD1-2} = 0V$ $DIS\_MAS = V_S (80002)$		7	9	
306	Supply current active mode, dominant Enhanced master mode	$I_{Sd\_master}$	$V_{MODex} = 5V, V_{TxD1-4} = 0V$ $DIS\_MAS = 0V (80004)$		100	125	mA
			$V_{MODex} = 5V, V_{TxD1-2} = 0V$ $DIS\_MAS = 0V (80002)$		50	65	
307	Supply current active mode, recessive	$I_{Sr}$	$V_{MODex} = 5V, V_{TxD1-4} = 5V$		3	5	mA
<b>PIN LINx – Transmitter</b>							
310	Transmitter internal capacitance <sup>[1]</sup>	$C_{LIN}$	Capacitance on pins LINx to GND		30	40	pF
311	Short circuit bus current	$I_{BUS\_LIM}$	$V_{LIN} = V_S,$ $V_{MODex} = 5V, V_{TxDx} = 0V$	40	100	200	mA
312	Pull up resistance bus, normal & standby mode	$R_{SLAVE}$	$V_{DIS\_MAS} = V_S$	20	30	60	k $\Omega$
313	Pull up resistance bus, normal & standby mode	$R_{Master}$	$V_{DIS\_MAS} = 0V$	900	1000	1100	$\Omega$
314	Pull up current bus, sleep mode	$I_{SLAVE\_SLEEP}$	$V_{LINx} = 0V, V_S = 12V,$ $V_{MODex} = 0V, V_{TxDx} = 5V$	-100	-60	-20	$\mu A$
315	Voltage drop at int. diode in pull up path $R_{SLAVE}^{[1]}$	$V_{SerDiode}$		0.4		1	V
316	Receiver dominant input leakage current including pull up resistor	$I_{BUS\_PAS\_dom}$	$V_{LINx} = 0V, V_S = 12V,$ $V_{MODex} = 5V, V_{TxDx} = 5V,$ $V_{DIS\_MAS} = V_S$	-400			$\mu A$
317	Receiver recessive input leakage current	$I_{BUS\_PAS\_rec}$	$V_{LINx} = 18V, V_S = 5V,$ $V_{MODex} = 5V, V_{TxDx} = 5V,$ $T_{amb} < 125^\circ C$			20	$\mu A$
318	Bus reverse current loss of battery <sup>[2]</sup>	$I_{BUS\_NO\_BAT}$	$V_S = 0V,$ $0V < V_{LINx} < 18V$ $T_{amb} < 125^\circ C$			20	$\mu A$
319	Bus current during loss of ground <sup>[2]</sup>	$I_{BUS\_NO\_GND}$	$V_S = V_{GND} = 12V,$ $0 < V_{LINx} < 18V$	-10		50	$\mu A$
320	Transmitter dominant voltage <sup>[2]</sup>	$V_{OLBUS}$	$R_{load} = 500\Omega, V_S = 5V$	0		1.2	V
			$R_{load} = 500\Omega, V_S \geq 7V$	0		$0.2 \times V_S$	
321	Transmitter recessive voltage <sup>[2]</sup>	$V_{OHBUS}$	$V_{MODex} = 0/5V, V_{TxDx} = 5V$	$0.8 \times V_S$		$1 \times V_S$	V

Nr.	Parameter	Symbol	Condition	Min	Typ	Max	Unit
<b>PIN LINx – Receiver</b>							
322	Receiver dominant voltage	$V_{BUSdom}$				$0.4 \times V_S$	V
323	Receiver recessive voltage	$V_{BUSRec}$		$0.6 \times V_S$			V
324	Center point of receiver threshold	$V_{BUS\_CNT}$	$V_{BUS\_cnt} = (V_{BUSdom} + V_{BUSRec})/2$	$0.475 \times V_S$	$0.5 \times V_S$	$0.525 \times V_S$	V
325	Receiver hysteresis	$V_{HYS}$	$V_{HYS} = (V_{BUSRec} - V_{BUSdom})$			$0.175 \times V_S$	V
<b>PIN MODE0/1, TxD2/3/4</b>							
331	High level input voltage	$V_{ih\_xx}$	Rising edge	2			V
332	Low level input voltage	$V_{il\_xx}$	Falling edge			0.8	V
333	pull down resistor	$R_{pd\_xx}$	$V_{ih\_xx} = 5V$	200	350	600	k $\Omega$
334	Leakage Current	$I_{leak\_xx}$	$V_{il\_xx} = 0V$	-5		5	$\mu A$
<b>PIN TxD1</b>							
341	High level input voltage	$V_{ih\_TxD1}$	Rising edge	2			V
342	Low level input voltage	$V_{il\_TxD1}$	Falling edge			0.8	V
343	pull down resistor	$R_{pd\_TxD1}$	$V_{TxD1} = 5V$	200	350	600	k $\Omega$
344	Low level output voltage	$V_{ol\_txd1}$	$I_{TxD1} = 2mA$ Local WU flag			0.6	V
345	Leakage Current	$I_{leak\_TxD1}$	$V_{TxD1} = 0V$	-5		5	$\mu A$
<b>PIN RxDx</b>							
351	Low level output voltage	$V_{ol\_rxdx}$	$I_{RxDx} = 2mA$			0.6	V
352	Leakage Current high	$I_{leakh\_rxdx}$	$V_{RxDx} = 5V, V_{TxDx} = 5V, V_{MOD/1} = 5V$	-5		5	$\mu A$
353	Leakage Current low	$I_{leakl\_rxdx}$	$V_{RxDx} = 0V, V_{TxDx} = 5V, V_{MODex} = 5V$	-5		5	$\mu A$
<b>PIN INH</b>							
361	On resistance INH	$R_{on\_INH}$	$V_S = 12V, T_j \leq 125^\circ C$		20	50	$\Omega$
362	Leakage current INH high	$I_{leakh\_inh}$	$V_{MODex} = 0V, V_{INH} = 27V$	-5		5	$\mu A$
363	Leakage current INH low	$I_{leakl\_inh}$	$V_{MODex} = V_{INH} = 0V,$	-5		5	$\mu A$
<b>PIN WAKE</b>							
371	High level input voltage	$V_{ih\_WAKE}$	Sleep mode	$V_S - 1V$			V
372	Low level input voltage	$V_{il\_WAKE}$	Sleep mode			$V_S - 3.3V$	V
373	Pull up current WAKE	$I_{WAKE\_PU}$	$V_{WAKE} = 0$	-30	-10	-1	$\mu A$
374	Leakage current WAKEhigh	$I_{WAKE\_lk}$	$V_{WAKE} = V_S = 27V$	-5		5	$\mu A$

Nr.	Parameter	Symbol	Condition	Min	Typ	Max	Unit
<b>PIN DIS_MAS</b>							
381	High level input voltage	$V_{ih\_DIS\_MAS}$	Active modes	4		$V_S+0.3V$	V
382	Low level input voltage	$V_{il\_DIS\_MAS}$	Active modes			1.9	V
383	Pull down current DIS_MAS	$I_{DIS\_MAS\_PD}$	Active modes		50	60	$\mu A$
384	Leakage current DIS_MAS_low	$I_{DIS\_MAS\_lkl}$	$V_{DIS\_MAS} = 0V$	-5		5	$\mu A$
385	Leakage current DIS_MAS_high	$I_{DIS\_MAS\_lkh}$	$V_{DIS\_MAS} = 27V$ , sleep mode	-5		5	$\mu A$
<b>Thermal Protection</b>							
391	Thermal shutdown <sup>[1]</sup>	$T_{sd}$		155	170	190	$^{\circ}C$
392	Thermal hysteresis <sup>[1]</sup>	$T_{hys}$			10	30	$^{\circ}C$

[1] No production test, guaranteed by design and qualification  
 [2] In accordance to SAE J2602

## 7.4. Dynamic Characteristics

Table 5: Dynamic Characteristics

Unless otherwise specified all values in the following table are valid for  $V_S = 5$  to 27V and  $T_j = -40$  to 150°C.

Nr.	Parameter	Symbol	Condition	Min	Typ	Max	Unit
401	Propagation delay receiver [1]	$t_{rx\_pdf}$	$C_{RXD} = 25pF$ falling edge			6	$\mu s$
402	Propagation delay receiver [1]	$t_{rx\_pdr}$	$C_{RXD} = 25pF$ rising edge			6	$\mu s$
403	Propagation delay receiver symmetry	$t_{rx\_sym}$	Calculate $t_{rx\_pdf} - t_{rx\_pdr}$	-2		2	$\mu s$
404	Receiver debounce time [2]	$t_{rx\_deb}$	LIN rising & falling edge	0.5		4	$\mu s$
411	LIN duty cycle 1 [2] [3] [5]	D1	20kbps operation, normal mode $V_S = 7$ to 18V	0.396			
412	LIN duty cycle 2 [2] [3] [5]	D2	20kbps operation, normal mode $V_S = 7$ to 18V			0.581	
413	LIN duty cycle 3 [2] [3] [5]	D3	10.4kbps operation, low speed mode $V_S = 7$ to 18V	0.417			
414	LIN duty cycle 4 [2] [3] [5]	D4	10.4kbps operation, low speed mode $V_S = 7$ to 18V			0.590	
415	$t_{REC(MAX)} - t_{DOM(MIN)}$ [4] [5]	$\Delta t3$	10.4kbps operation, low speed mode			15.9	$\mu s$
416	$t_{DOM(MAX)} - t_{REC(MIN)}$ [4] [5]	$\Delta t4$	10.4kbps operation, low speed mode			17.28	$\mu s$
421	Remote Wake-up filter time	$t_{wux\_remote}$	sleep mode, LIN dominant time before rising edge	30		150	$\mu s$
422	Local Wake-up filter time	$t_{wu\_local}$	sleep mode, WAKE falling edge	10		50	$\mu s$
431	Delay from Standby to Sleep Mode	$t_{dsleep}$	$V_{MODEx} = 0$	150		500	ms
432	TxDx dominant time out time	$t_{TxDx\_to}$	active modes, $V_{TxDx} = 0$	27		60	ms
433	RxDx dominant time out time	$T_{RxDx\_to}$	active modes, $V_{LINx} = 0, V_{DIS\_MAS} = 0$	27		60	ms
441	MODEx – debounce time	$T_{MODE\_deb}$	active $\leftrightarrow$ sleep mode transitions	1	2	5	$\mu s$
442	DIS_MAS – debounce time	$T_{DIS\_MAS\_deb}$	master $\leftrightarrow$ slave transitions	1	2	5	$\mu s$

- [1] This parameter is tested by applying a square wave signal to the LIN. The minimum slew rate for the LIN rising and falling edges is 50V/us  
 [2] See Figure 4– LIN timing diagram  
 [3] Standard loads for duty cycle measurements are 1K $\Omega$ /1nF, 660 $\Omega$ /6.8nF, 500 $\Omega$ /10nF, internal master termination disabled  
 [4] in accordance to SAE J2602, see Figure 5  
 [5] for supply voltage ranges  $V_S=5...7V$  and  $V_S=18...27V$  parametric deviations are possible

### 7.4.1. Duty Cycle Calculation



Figure 4: LIN timing diagram (reference LIN2.1 specification)



Figure 4: LIN timing diagram, relation between propagation delay and duty cycle (reference SAE J2602 specification)

As shown in Figure 4, both worst case duty cycles can be calculated as follows :

$$D_{wc1} = t_{BUS\_rec(min)} / (2 t_{Bit})$$

$$D_{wc2} = t_{BUS\_rec(max)} / (2 t_{Bit})$$

Thresholds for duty cycle calculation for the plug & play specification in accordance to LIN2.0 / SAE J2602:

Baud rate	20kBd	10.4kBd
T <sub>BIT</sub>	50µs	96µs
D <sub>wc1</sub>	D1	D3
D <sub>wc2</sub>	D2	D4
TH <sub>REC(MAX)</sub>	0.744 × V <sub>S_TX</sub>	0.778 × V <sub>S_TX</sub>
TH <sub>DOM(MAX)</sub>	0.581 × V <sub>S_TX</sub>	0.616 × V <sub>S_TX</sub>
TH <sub>REC(MIN)</sub>	0.422 × V <sub>S_TX</sub>	0.389 × V <sub>S_TX</sub>
TH <sub>DOM(MIN)</sub>	0.284 × V <sub>S_TX</sub>	0.251 × V <sub>S_TX</sub>

*Table 6: Data Transmission Rates*

## 8. Functional Description

The MLX80004/2 is the physical layer interface between the master/slave microcontroller and the single wire LIN bus network.

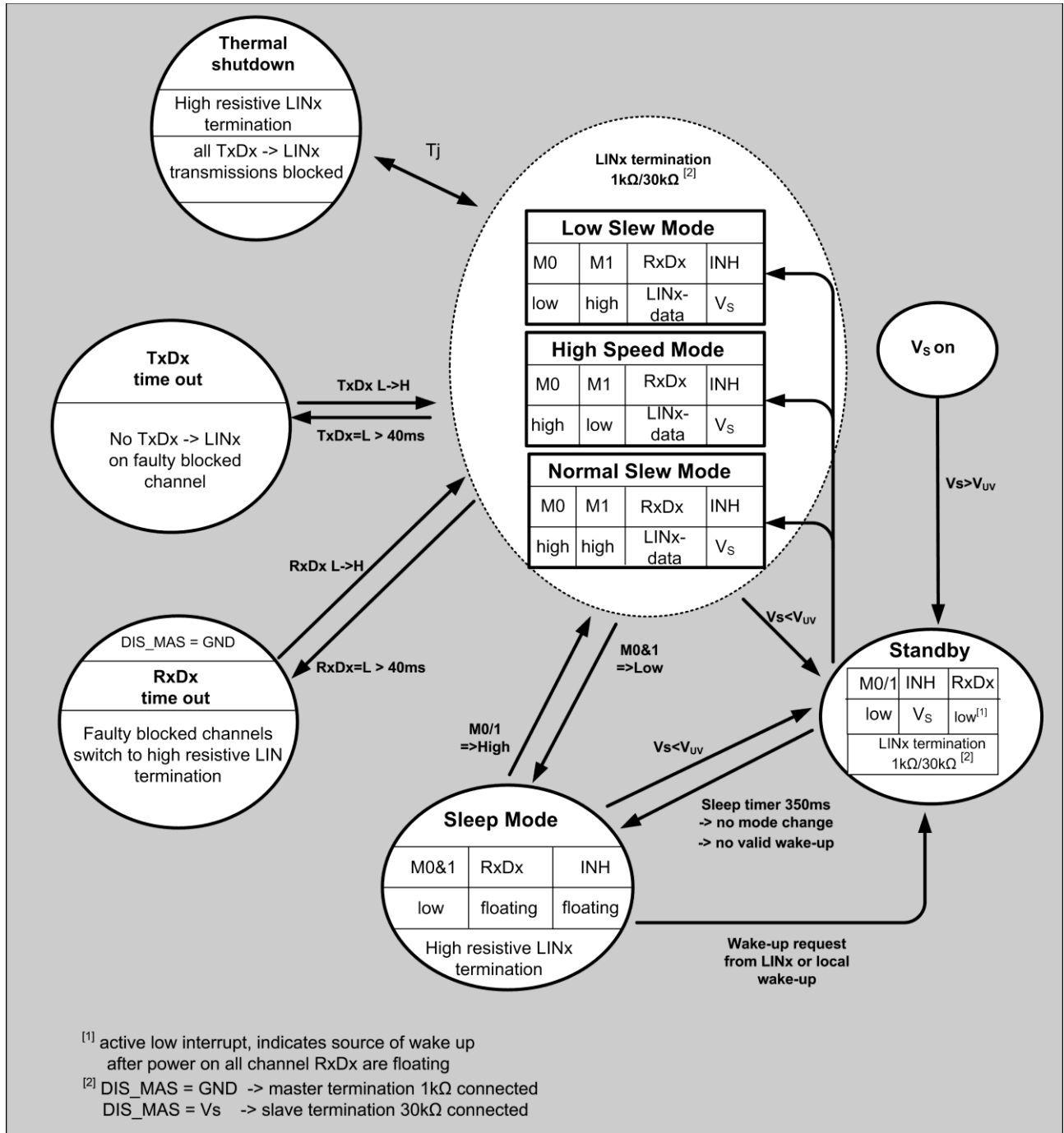


Figure 5: State Diagram of the MLX80004/2

## 8.1. Operating Modes

Table 7: Operating Modes

Mode	MODE0	MODE1	TxDx	RxDx	INH	LIN transceiver
Standby	0	0	weak pulldown/ active low <sup>[1]</sup>	floating/ active low <sup>[2]</sup>	Vs	Off
Active	1 1 0	1 0 1	weak pulldown/ input for transmit data stream	output for LIN data stream	Vs	On <sup>[3] [4] [5]</sup>
Sleep	0	0	weak pull down	floating	floating	Off

- [1] Indicates the wake up flag in case of local wake up  
 [2] After power on RxDx is floating. If any wake up(local or remote) occurs it will be indicated by active low  
 [3] Active low interrupt at pin RxD will be removed when entering normal mode  
 [4] Wake up source flag at pin TxD1 will be removed when entering normal mode  
 [5] Active modes will be entered by a low -> high transition on pin MODEx. When recessive level (high) on pin TxDx is present the transmit path will be enabled

## 8.2. Initialization and Standby mode

When the battery supply voltage Vs exceeds the specified threshold  $V_{S\_UV}$ , the MLX80004/2 automatically enters an intermediate standby mode. The INH output becomes HIGH (Vs) and can be used for a battery driven interrupt or to switch on an external ECU – voltage regulator. The pins RxDx are floating and the integrated master (slave) pull up resistor with decoupling diode pulls the pin LIN. The transmitter and the receiver are disabled.

If no mode change occurs to any active mode via a MODE0/1 LOW to HIGH transition within the time stated (typically 350ms), the IC enters the most power saving sleep mode and the INH output will become floating (logic 0).

Furthermore the standby mode will be entered after a valid local or remote wake up event, when the MLX80004/2 is in sleep mode. The entering of the standby mode after wake up will be indicated by an active LOW interrupt on pin RxDx.

The MLX80004/2 enters the standby mode as well in case of a battery under-voltage condition. That happens while being in sleep mode or any active mode.

## 8.3. Active Modes

By entering the active modes the MLX80004/2 can be used as interface between the single wire LIN bus and the microcontroller. The incoming bus traffic is detected by the receiver and transferred via the RxDx output pin to the microcontroller. (see Figure 4, LIN timing diagram)

The active modes can be entered being in sleep or standby mode, when the pin(s) MODE0/1 are driven HIGH.



MODE0	MODE1	Mode
L	L	Sleep Mode
H	L	High Speed Mode (slew rate control disabled)
L	H	Low speed mode
H	H	Normal Mode

*Table 8: Mode Selection Table*

### 8.3.1. High Speed mode

This mode allows high speed data download up to 100Kbit/s. The slew rate control is disabled. The falling edge is the active driven edge, the speed of the rising edge is determined by the network time constant.

### 8.3.2. Low speed mode

This mode is the recommended operating mode for J2602 applications with a maximum baud rate of 10.4kBd. The slew rate control of any channel is optimized for minimum radiated noise, especially in the AM band.

### 8.3.3. Normal speed mode

Transmission bit rate in normal mode is up to 20kbps. The slew rate control of any channel is optimized for maximum allowed bit rate in the LIN specification package 2.x.

## 8.4. Sleep Mode

The most power saving mode of the MLX80004/2 is the sleep mode. The mode change into sleep mode is possible regardless of the voltage levels on the LINx bus, pins WAKE or TxDx. The MLX80004/2 offers two procedures to enter the sleep mode:

- The sleep mode will be entered if both the pins MODE0 and MODE1 are being driven LOW for longer than the specified filter time ( $t_{MODE\_deb}$ ) when in active modes.
- If the MLX80004/2 is in standby mode after power-on or wake-up, a sleep counter is started and switches the transceiver into sleep mode after the specified time (typ. 350ms) if the microcontroller of the ECU will not confirm the active operation by setting MODE0/1 pins to logic HIGH. This feature allows faulty blocked LIN nodes to reach the most power saving sleep mode anyway.

Being in sleep mode the INH pin becomes floating and can be used to switch off the ECU voltage regulator in order to minimize the current consumption of the complete LIN node (preferred feature in slave applications). The transmitters are disabled and the pins RxDx are disconnected from the receive path and become floating. The master(slave) termination resistor (LIN pull up resistor with decoupling diode between pins LIN and Vs) is disconnected, only a weak LIN pull up current of typically 50uA is applied to the LINx bus (see chapter 9 Fail-safe Features)

## 8.5. Wake Up

When in sleep mode the MLX80004/2 offers three wake-up procedures:

- In applications with continuously powered ECU a wake up via mode transition to active modes is possible by setting the MODEx pins to high level. (see chapter 4.3 Active Modes)
- Remote wake-up via LINx bus request  
After a falling edge on the LINx bus followed by a dominant voltage level for longer than the specified value ( $t_{wu\_remote}$ ) and a rising edge on pin LINx will cause a remote wake up (see Figure 6 at page 19)
- Local wake-up via a negative edge on pin WAKE  
A negative edge on the pin WAKE and a dominant voltage level for longer than the specified time ( $t_{wu\_local}$ ) will cause a local wake-up. The current for an external switch has to be provided by an external pull up resistor  $R_{WK}$ . For a reverse current limitation in case of a closed external switch and a negative ground shift or an ECU loss of ground a protection resistor  $R_{WK\_prot}$  between pin WAKE and the switch is recommended. (see Figure 7 at page 20)  
The pin WAKE provides a weak pull up current towards the battery voltage that provides a HIGH level on the pin in case of open circuit failures or if no local wake up feature is required. In such applications it is recommended to connect the pin WAKE to pin Vs via a resistor of 10k ohms.

## 8.6. Wake Up Source Recognition

The device can distinguish between a local wake-up event (pin WAKE) and a remote wake-up event in dependence of the requesting LINx bus.

### Local Wake Up

In case of a local wakeup via WAKE pin, the wake up request is indicated by an active LOW on pin RxD1. The wake-up source flag is set and is indicated by an active LOW on pin TxD1.

The wake-up source flag can be read if an external pull up resistor at TxD1 towards the microcontroller supply voltage has been added and the MLX80004/2 is still in standby mode:

When the microcontroller confirms an active mode operation by setting the pin MODE0/1 to HIGH, both the wake-up request on pin RxD1 as well as the wake-up source flag on pin TxD1 are reset immediately.

### Remote Wake Up

In case of a remote wake-up via a LINx bus, the source of the wake-up request will be indicated by the RxDx pin that belongs to the LINx pin. (example: LOW level on RxD4 and floating RxD1-3 indicate a wake-up request on LIN4).

The wake up source flag at TxD1 remains floating.

This allows following the wake-up request of the requesting LIN bus while remaining the other LIN bus channels in recessive mode (no wake up occurs in these LIN networks).

After a mode transition into any active mode by setting the pin MODE0/1 to HIGH, the active LOW wake-up request on pin RxDx is reset immediately.

If the device is not set into an active mode after a wake up request (either local or remote) then it will return into sleep mode after  $t_{dsleep}$ .



Figure 6: remote wake up and wake-up source recognition



Figure 7: local wake up and wake-up source recognition

## 8.7. Master / Slave configuration

The target applications of the MLX80004/2 are BCM master modules with multiple LIN channels. In order to be able to use the same module for a wide variety of applications with different stages of extension, a space efficient and cost effective adaptation on the number of LIN channels is desired.

The MLX80004/2 device family offers the combination of quad and dual channel LIN transceiver within the same advanced package and a compatible foot print.

By the integration of the LIN master-termination (decoupling diode and 1K resistor) the external circuitry can be minimized in terms of space as well as BOM (bill of material). The RxD time-out feature allows the handling of a LIN short to ground failure without software support by the microcontroller. This application mode is called enhanced master mode, compatible to the functionality of the quad – LIN transceiver MLX80001.

In case of different BCM requirements it may happen that the *external* master termination is desired only. To cover these applications the pin DIS\_MAS has been introduced:

DIS_MAS	Mode	LIN termination	Supported fail safe features
GND	Enhanced Master Mode	Active mode : Diode & 1kΩ sleep mode :Diode & 60μA	<ul style="list-style-type: none"> <li>• RxDx time-out, independent disconnect of master termination in case of LINx short to ground</li> <li>• TxDx time-out, independent disable of faulty dominant blocked transmit path</li> </ul>
Vs	Standard Transceiver Mode	Active mode : Diode & 30kΩ sleep mode :Diode & 60μA	<ul style="list-style-type: none"> <li>• TxDx time-out, independent disable of faulty dominant blocked transmit path</li> </ul>

*Table 9: Time Out Modes*

In case of externally mounted master termination (standard transceiver mode), the handling of a LIN short to ground is not possible. By using the standard transceiver mode, the MLX80004/2 can be used in slave applications as well. To pull the pin DIS\_MAS to high even in case the external ECU regulator is switched off in sleep mode. The pin shall be connected to Vs via an external resistor. (see Figure 8 at page 24, application example)

In the standard transceiver mode, only the TxDx time-out feature is enabled.

## 9. Fail-safe Features

### 9.1. Loss of battery

If the ECU is disconnected from the battery, the bus pin is in high impedance state. There is no impact to the bus traffic and to the ECU itself. Reverse current is limited to  $< 20\mu\text{A}$

### 9.2. Loss of Ground

In case of an interrupted ECU ground connection there is no influence to the bus lines. The current from the ECU to the LINx pins is limited by the weak pull up current of the pin LINx, the integrated master termination ( $\text{DIS\_MAS} = \text{GND}$ ) as well as the integrated slave termination ( $\text{DIS\_MAS} = V_s$ ) is disconnected in order to fulfill the SAE J2602 requirements for the loss of ground current ( $< 100\mu\text{A}$  @12V).

### 9.3. Short circuit to battery

The transmitter output currents are limited to the specified value in case of short circuit to battery in order to prevent high current densities and thermal hot spots in the LIN drivers. In dependency of the ambient temperature as well as the battery voltage the junction temperature can exceed the specified value and a thermal overload condition occurs (see chapter 4.5)

### 9.4. Ground shift and short circuit to ground

If the LIN bus wiring is shorted to negative shifted ground levels, there is no current flow from the ECU ground to the LIN bus and no distortion of the bus traffic occurs.

A LIN bus short to ground condition can cause an undesired current flow. The MLX80004/MLX80002 offers different opportunities to handle the LIN short to ground, see chapter 8.7.

### 9.5. Thermal overload

The MLX80004 and the MLX80002 is protected against thermal overloads. If the chip junction temperature exceeds the specified value, all transmitters are disabled and the master termination is switched off in order to reduce the power consumption. The receiver is still working during the thermal shutdown state. The pins Rx/Dx indicate the voltage level from the LINx pins also if the circuit is in thermal shut down. The circuit returns automatically to the normal mode after thermal recovery.

### 9.6. Undervoltage lock out

If the battery supply voltage is missing or decreased under the specified value ( $V_{s\_UV}$ ), all transmitters are disabled to prevent undefined bus traffic.

While in sleep mode, the MLX80004/2 enters the standby mode if  $V_s$  drops below the internal power on reset threshold ( $V_{INH} = V_s$ ).

### 9.7. Open Circuit protection

- The pins Tx/Dx provide a weak pull down. The transmitter cannot be enabled.
- The pins MODE0/MODE1 provide a weak pull down to prevent undefined active mode transitions.
- If the battery supply voltage is disconnected, the pins Rx/Dx are floating
- The pin WAKE provides a weak pull up current towards supply voltage  $V_s$  to prevent local wake-up requests.
- The pin DIS\_MAS provides a pull down current of  $50\mu\text{A}$ .

## 9.8. TxDx faulty start protection

After power-on or wake-up a dominant level on TxDx will not lead to a dominant LINx level if the IC is being switched into an active mode. Only in case of recessive level before applying the first dominant level the transmit path will be enabled.

## 9.9. RxDx dominant time-out

A dominant LINx level longer than the specified time (typ. 40ms) indicates a faulty blocked bus. The master pull-up resistor of the affected LIN channel will be disconnected from the network in order to prevent thermal overload conditions or failure currents from the battery without any intervention from the microcontroller. Only a weak pull-up current (typ. 60µA) is applied on the LIN bus. The RxD time-out will be reset with the next dominant -> recessive transition on the LIN bus if the failure disappears.

The RxDx time-out is only active in the Enhanced Master Mode, while the master termination is enabled.

## 9.10. TxDx dominant time-out

In case of a faulty blocked permanent dominant level on pin TxDx the transmit path will be disabled after the specified time  $t_{\text{TxDx\_to}}$  (typ. 40ms). The data transmission is released again as soon as the failure disappears by the next rising edge of TxDx. The TxDx time-out is active in both, the *Standard Transceiver* and *Enhanced Master Mode*.

# 10. Application Example

## 10.1. Enhanced Master Mode



Figure 8:

Application example using enhanced master mode with minimized external components and LIN short to GND feature.

Note: All pins of MLX80004/MLX80002 with „N.C.“ are internally not connected.



## 10.2. Standard Transceiver Mode

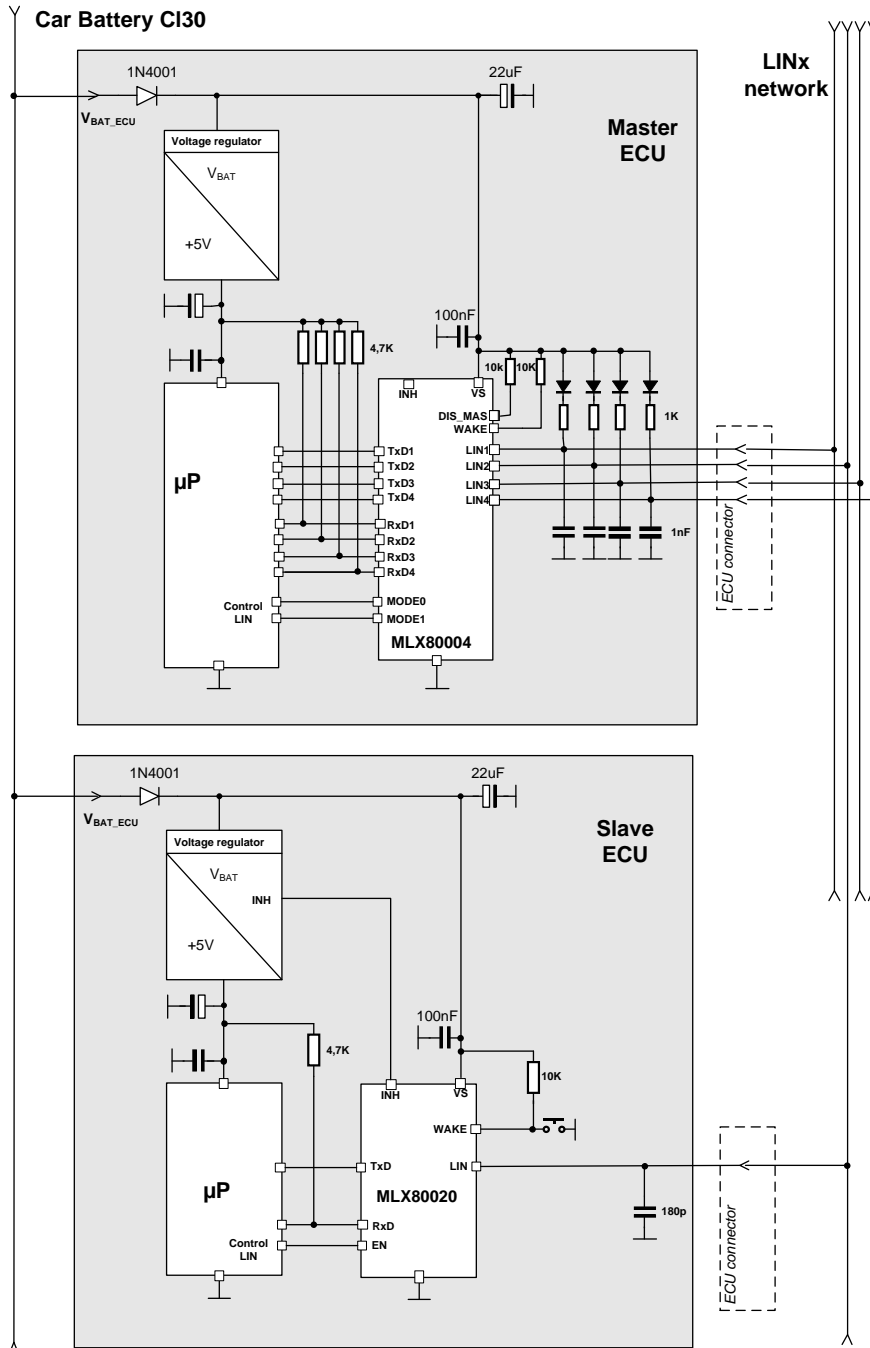


Figure 9:

Application example using standard transceiver mode without LIN short to GND feature.

Note: All pins of MLX80004/MLX80002 with „N.C.“ are internally not connected.

### 10.3. Application Circuitry for EMC

In order to minimize EMC influences, the external application circuitry shall be designed as followed:



Figure 10:

*Typical Application Circuitry for EMC*

### 10.3.1. External Circuitry on Supply Lines

In order to minimize EMC influences, the external application circuitry shall be designed as followed:

Name	Mounting	Min	Recommended	Max	Dim	Comment
C1	recommended	-	100	-	nF	Ceramic SMD: 10%, 0805, $\geq 50V$ ; close to the connector
D1	mandatory					Inverse-polarity protection diode
C2	mandatory	1	22	100	$\mu F$	Tantal SMD: 10%, 7343, 35V
C3	mandatory	-	100	-	nF	Ceramic SMD: 10%, 0805, $\geq 50V$ ; close to the pin

*Table 10: External Components on Supply Lines*

### 10.3.2. External Circuitry on LIN Lines

In order to minimize EMC influences, the external application circuitry shall be designed as followed:

Name	Mounting	Min	Recommended	Max	Dim	Comment
D2	no	-	PESD1LIN	-		ESD protection Diode: SOD323 close to the connector;
C4	mandatory	-	220/1000	-	pF	Ceramic SMD: 10%, 0805, $\geq 50V$ ; $C_{Slave} \leq C_{D2} + C_4 + C_{IC}$ $C_{Slave} \leq 250pF / C_{Master} \leq 1nF$

*Table 11: External Components on LIN Lines*

### 10.3.3. External Circuitry on Signal Lines

In order to minimize EMC influences, the external application circuitry shall be designed as followed:

Name	Mounting	Min	Recommended	Max	Dim	Comment
C5	no	0.1	1	100	nF	Ceramic SMD: 10%, 0805, $\geq 50V$ ;
R2	mandatory	5k	10k	100k	$\Omega$	Serial resistor: 0805

*Table 12: External Components on Signal Lines*

## 11. Mechanical Specification QFN24

The chip will be assembled in a 24Pin QFN 4x4 Package with wettable flanks.

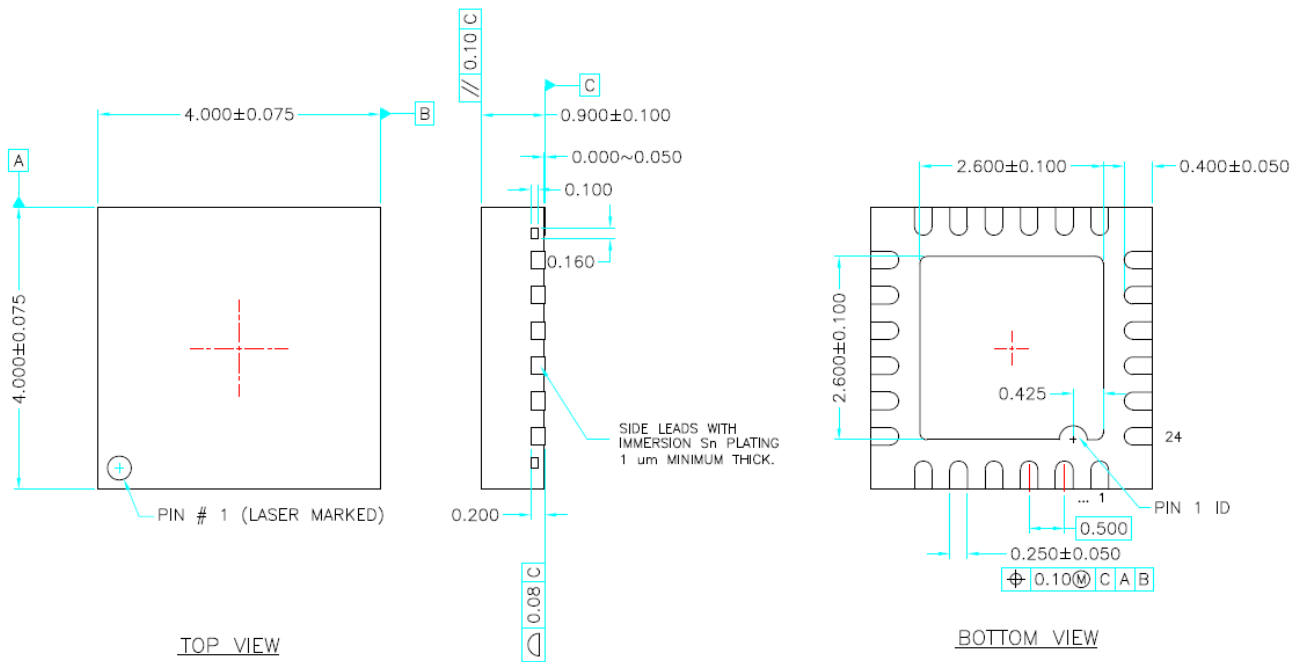


Figure 11: Package Drawing

Package	$\Theta_{jc}$ [°C/W]	$\Theta_{ja}$ [°C/W] (JEDEC 1s0p board)	$\Theta_{ja}$ [°C/W] (JEDEC 1s2p board)
QFN 4x4	16	154	50

Table 13:  $\Theta_{JA}$  values

## 12. Package Marking Information

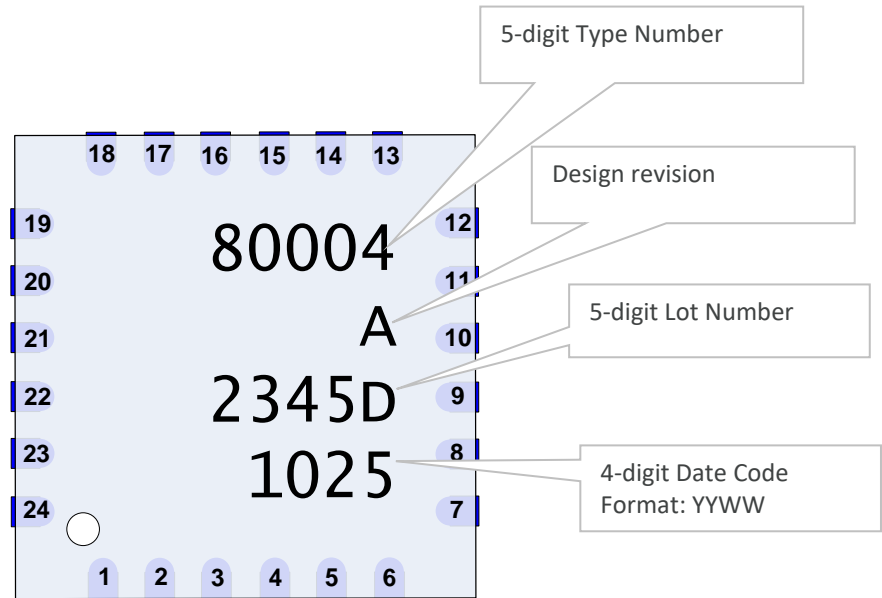


Figure 12: Package marking of the MLX80004 device in QFN24 4x4 SMD package

## 13. Tape and Reel Specification

### Packing



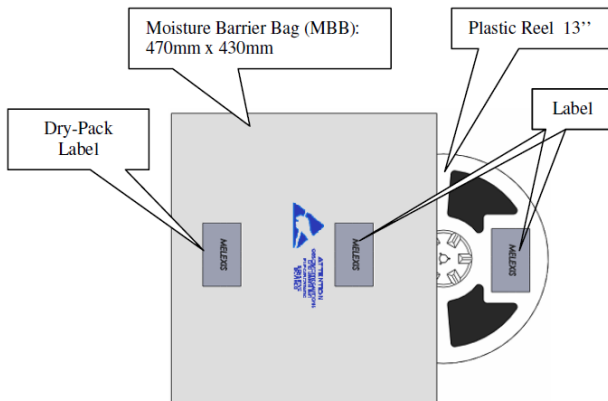
**Remark:**  
 Pay attention to the marking orientation because it is used for component (pin1) orientation. Some devices may have different marking orientation, so please consult your Melexis contact person for more information.

**Plastic 13'' Reel:**  
 Made by antistatic high-impact molded polystyrene. The mechanical integrity of the reel is not affected by humidity.

#### Packing Materials:

**Embossed Plastic Carrier Tape:**  
 Made by Tri-Laminate PS+C material (polystyrene with carbon). Typical carrier tape material thickness 0,21mm.

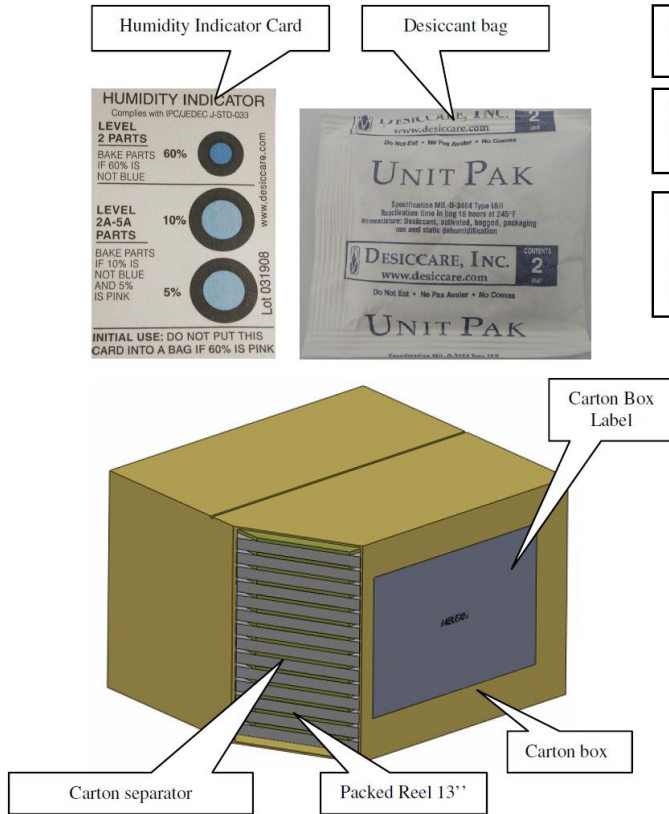
**Cover Tape:**  
 All Cover Tapes used by Melexis are Heat Activated and antistatic. The main ABX type of Cover Tape is constructed in two layers, a 0.0254mm thick polyester base film covered by a 0.0279mm thick heat-activated adhesive coating layer.



**Moisture Barrier Bag (MBB):**  
 Made in 5 different layers with total thickness of 0.18mm. At the core is a layer of polyester sandwiched between aluminum shields. The outside layer: dissipative polyester, innermost layer: static dissipative polyethylene.



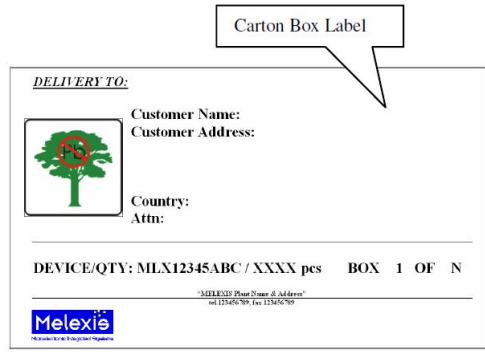
Note: that the above mentioned labels are just examples which represent the label layout!



**Humidity Indicator Card (HIC):**  
 Moisture sensitive blotting paper card with 3 spots for 5%, 10% and 60%.

**Desiccant bag:**  
 Desiccant material: Bentonite Clay.  
 Bag size: 2Units

**Packing of single reel:**  
 Each full reel is labeled and separately packed into labeled MBB. All devices with MSL level from 2 to 6 are packed with Desiccant Bag and HIC. Devices with MSL1 are packed in MBB but without desiccant bag and HIC.

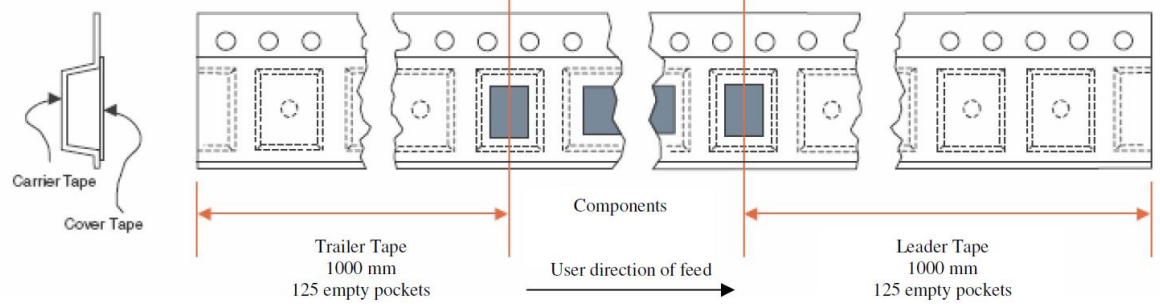


**Carton Packing Description:**  
 Each vacuum sealed MBB is horizontally placed into standard outer carton box. Carton separators are applied between each MBB package, as long as on the bottom and top of the outer box.

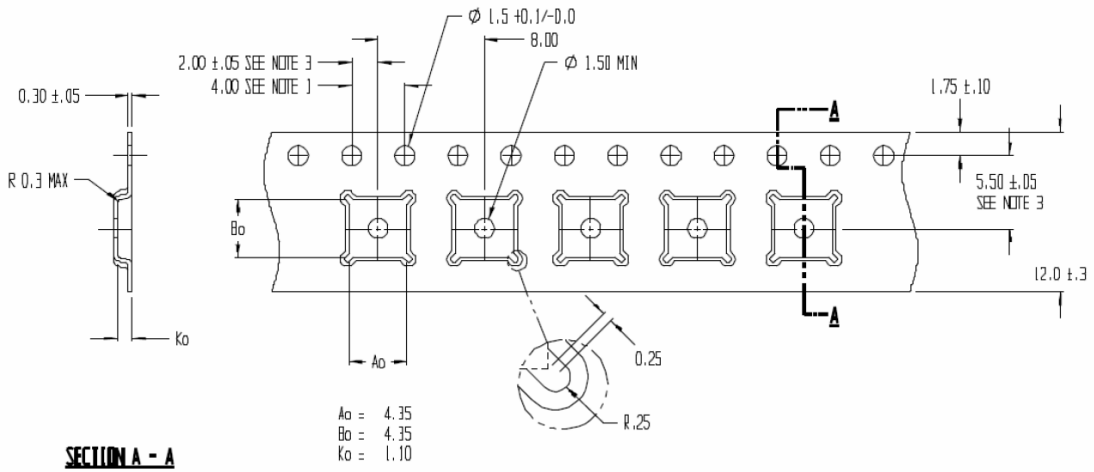
QFN4x4x0.9 – 24L Packing information		
Parameter	Carton packing type E02	
	Carton Box A	Carton Box B*
Box Size (mm)	450 x 420 x 260	450 x 420 x 160
QTY/Reel	5000pcs	5000pcs
Reel Size	13"	13"
Reels/Box	11pcs	6pcs
QTY/Box	55 000pcs	30 000pcs
Weight/Box (kg)	8	6

\* Carton box B is used as last box in shipment, or when the shipping reel quantity is lower, or equal than 6 reels.

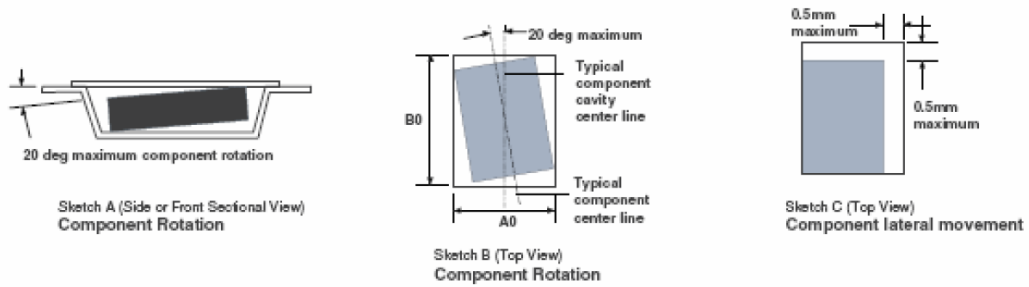
**Leader and Trailer**



### Carrier Tape Data



### Component Rotation and Lateral Movement



### Plastic Reel Data





## 14. ESD and EMC

In order to minimize EMC influences, the PCB has to be designed according to EMC guidelines.  
 The products MLX80004/2 are ESD sensitive devices and have to be handled according to the rules in IEC61340-5-2.

The products MLX80004/2 are evaluated according AEC-Q100-002 (HBM) and AEC-Q100-011 (CDM).

The extended ESD/EMC tests (acc. to IEC 61000-4-2, LIN Conf. Test Specification Package for LIN2.1, OEM hardware requirements for LIN, CAN and FlexRay Interfaces in automotive applications – Audi, BMW, Daimler, Porsche, Volkswagen - Rev. 1.3/2012) have been tested by external certificated test houses.

The test reports are available on request.

### 14.1. Automotive Qualification Test Pulses

Automotive test pulses are applied on the module in the application environment and not on the naked IC. Therefore attention must be taken, that only protected pins (protection by means of the IC itself or by means of external components) are wired to a module connector. In the recommended application diagrams, the reverse polarity diode together with the capacitors on supply pins, the protection resistors in several lines and the load dump protected IC itself will protect the module against the below listed automotive test pulses. The exact value of the capacitors for the application has to be figured out during design-in of the product according to the automotive requirements.

For the LIN pin the specification “LIN Physical Layer Spec 2.1 (Nov. 24, 2006)” is valid.

Supply Pin VS is protected via the reverse polarity diode and the supply capacitors. No damage will occur for defined test pulses. A deviation of characteristics is allowed during pulse 1 and 2; but the module will recover to the normal function after the pulse without any additional action. During test pulse 3a, 3b, 5 the module will work within characteristic limits.

### 14.2. Test Pulses On supply Lines

Parameter	Symbol	Min	Max	Dim	Coupling	test condition, functional status
Transient test pulses in accordance to ISO7637-2 (supply lines) & , VS=13.5V, TA=(23 ± 5)°C & (Document: “Hardware Requirements for LIN, CAN and FlexRay Interfaces in Automotive Applications”; Audi, BMW, Daimler, Porsche, VW; 2009-12-02)						
Test pulse #1	vpulse1	-100		V	Direct	5000 pulses, functional state C
Test pulse #2	vpulse2		75	V	Direct	5000 pulses, functional state A
Test pulse #3a	vpulse3a	-150		V	Direct	1h,functional state A
Test pulse #3b	vpulse3b		100	V	Direct	1h,functional state A
Load dump test pulse in accordance to ISO7637-2 (supply lines), VS=13.0V, TA=(23 ± 5)°C						
Test pulse #5b	vpulse5b	65 (+13V (VS))	87 (+13V (VS))	V	Direct	1 pulse clamped to 27V (+13V (VS)), (32V (+13V (VS))for applications for north America), functional state C

Table 14: Test pulses Supply Line

### 14.3. Test pulses on Pin LIN

Parameter	Symbol	Min	Max	Dim	Coupling	test condition, functional status
Transient test pulses in accordance to ISO7637-3, VS=13.5V, TA=(23 ± 5)°C & (Document: "Hardware Requirements for LIN, CAN and FlexRay Interfaces in Automotive Applications"; Audi, BMW, Daimler, Porsche, VW; 2009-12-02)						
Test pulse 'DCC slow -'	Vpulse_slow+	-100		V	Direct capacitive coupled: 1nF	1000 pulses, functional state D
Test pulse 'DCC slow +'	Vpulse_slow-		75	V	Direct capacitive coupled: 1nF	1000 pulses, functional state D
Test pulse 'DCC fast a'	Vpulse_fast_a	-150		V	Direct capacitive coupled: 100pF	10 min, functional state D
Test pulse 'DCC fast b'	Vpulse_fast_b		100	V	Direct capacitive coupled: 100pF	10 min, functional state D

Table 15: Test pulses LIN

### 14.4. Test pulses on signal lines

Parameter	Symbol	Min	Max	Dim	Coupling	test condition, functional status
Transient test pulses in accordance to ISO7637-3 (signal lines). VS=13.5V, TA=(23 ± 5)°C						
Test pulse 'DCC slow -'	Vpulse_slow+	-30	-8	V	Direct capacitive coupled:100nF	1000 pulses, functional state C
Test pulse 'DCC slow +'	Vpulse_slow-	+8	+30	V	Direct capacitive coupled:100nF	1000 pulses, functional state A
Test pulse 'DCC fast a'	Vpulse_fast_a	-60	-10	V	Direct capacitive coupled:100pF	10 min, functional state A
Test pulse 'DCC fast b'	Vpulse_fast_b	10	40	V	Direct capacitive coupled:100pF	10 min, functional state A

Table 16: Test pulses signal lines

**Description of functional state**

- A: All functions of the module are performed as designed during and after the disturbance.
- B: All functions of the module are performed as designed during the disturbance:  
 One or more functions can violate the specified tolerances. All functions return automatically to within their normal limits after the disturbance is removed. Memory functions shall remain class A.
- C: A function of the module does not perform as designed during the disturbance but returns automatically to the normal operation after the disturbance is removed.
- D: A function of the module does not perform as designed during the disturbance and does not return automatically to the normal operation after the disturbances is removed.  
 The device needs to be reset by a simple operation/action to return to the specified limits/function.

## 14.5. Test circuitry for automotive transients

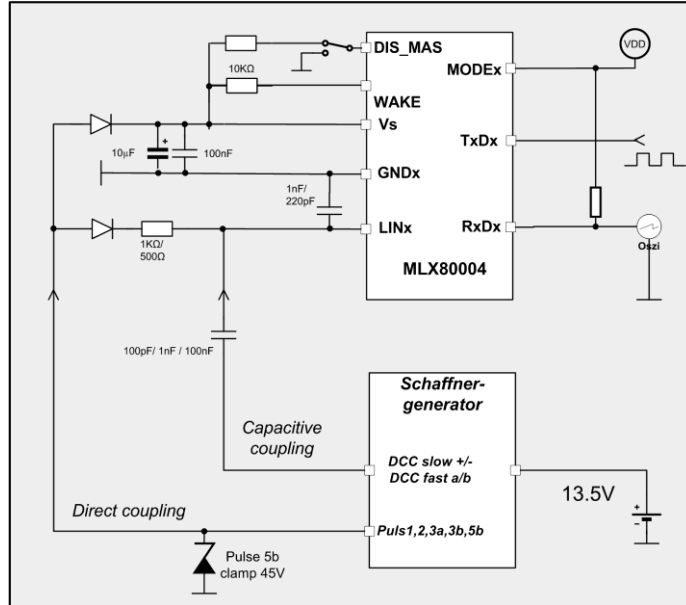


Figure 13: Test circuit for automotive transients

Figure 13 shows the general requirement on the test circuitry for applying automotive transient test pulses. In order to represent the most critical network impedance, the LINx pins has to be connected via 1kOhm / decoupling diode to the Schaffner test generator. Including the integrated master termination of 1kOhm, the minimum network resistance of 500Ohm can be simulated by adding an external 1kOhm resistor. In slave application mode (DIS\_MAS = Vs), the external coupling has to be applied via 500Ohm resistor.

## 14.6. EMC Test pulse definition

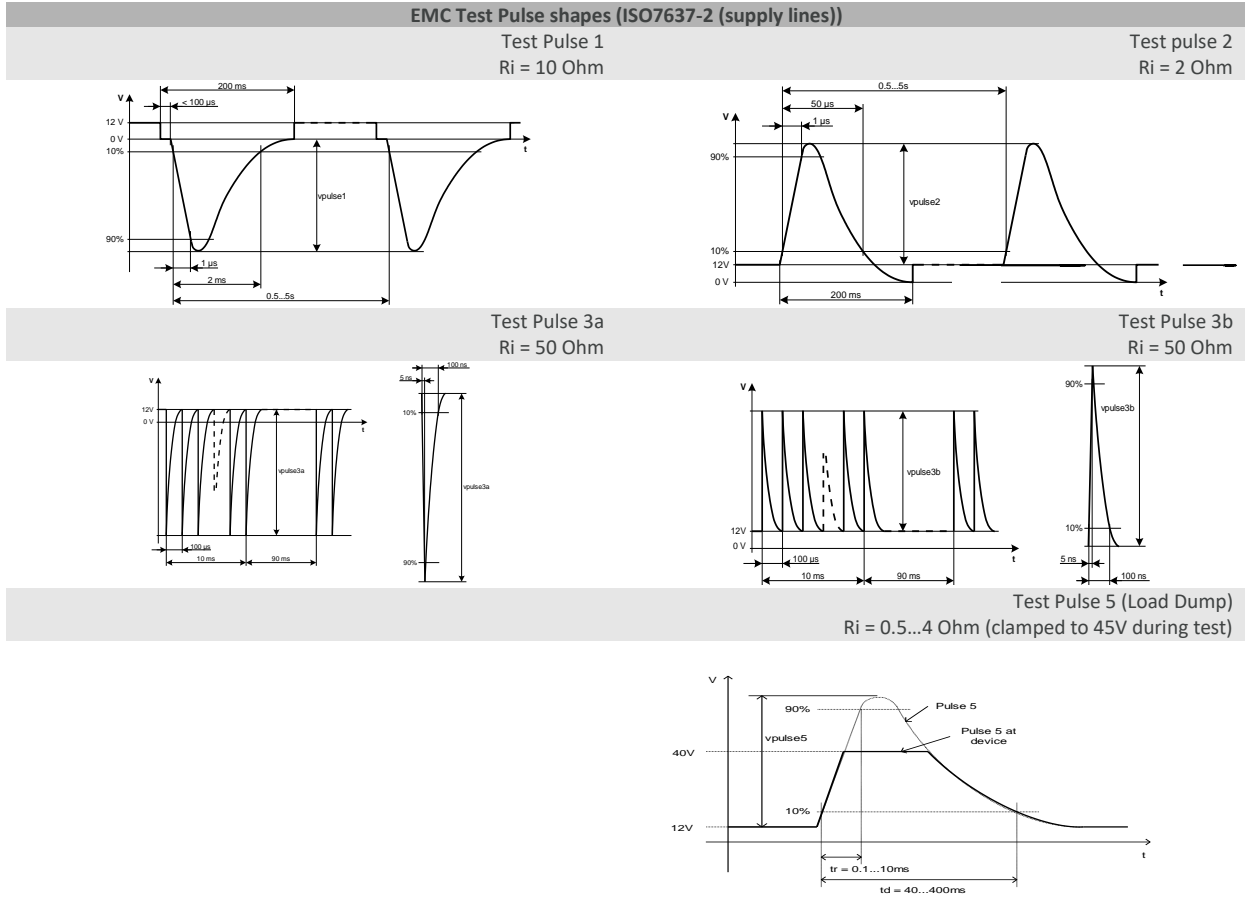


Table 17: Test pulses shapes ISO7637-2

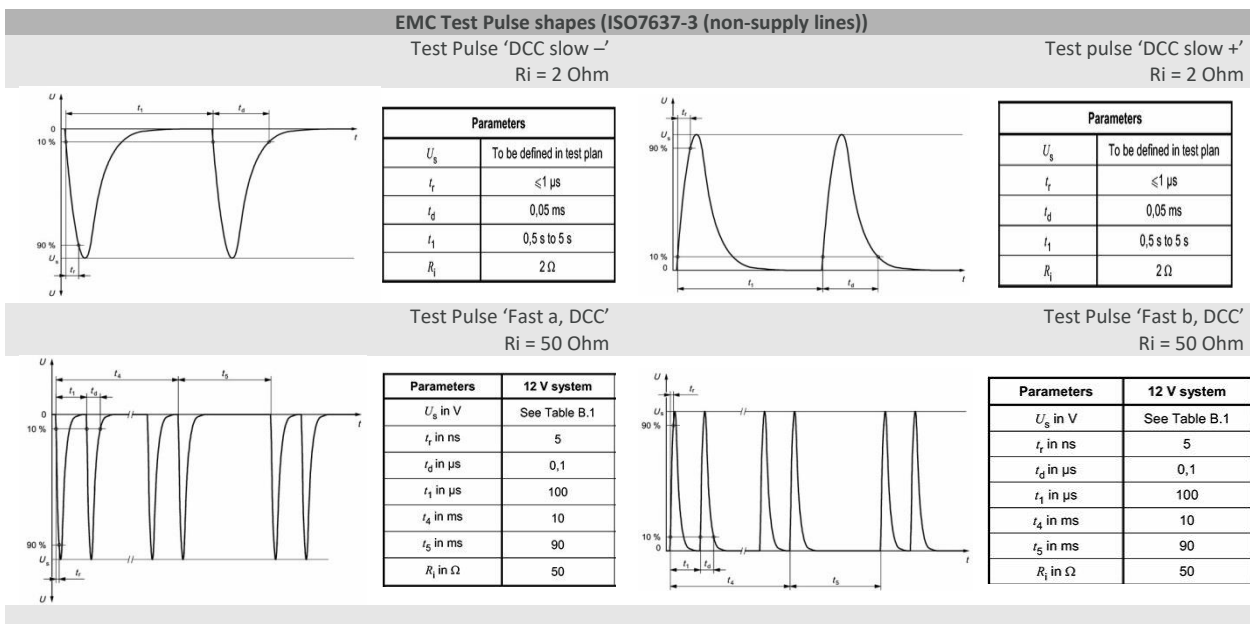


Table 18: Test pulses shapes ISO7637-3

## 15. Standard information regarding manufacturability of Melexis products with different soldering processes

Our products are classified and qualified regarding soldering technology, solderability and moisture sensitivity level according to following test methods:

### Reflow Soldering SMD's (Surface Mount Device)s

- IPC/JEDEC J-STD-020  
Moisture/Reflow Sensitivity Classification for Nonhermetic Solid State Surface Mount Devices (classification reflow profiles according to table 5-2)
- EIA/JEDEC JESD22-A113  
Preconditioning of Nonhermetic Surface Mount Devices Prior to Reliability Testing (reflow profiles according to table 2)

### Wave Soldering SMD's (Surface Mount Device)s and THD's (Through Hole Device)s

- EN60749-20  
Resistance of plastic- encapsulated SMD's to combined effect of moisture and soldering heat
- EIA/JEDEC JESD22-B106 and EN60749-15  
Resistance to soldering temperature for through-hole mounted devices

### Iron Soldering THD's (Through Hole Device)s

- EN60749-15  
Resistance to soldering temperature for through-hole mounted devices

### Solderability SMD's (Surface Mount Device)s and THD's (Through Hole Device)s

- EIA/JEDEC JESD22-B102 and EN60749-21  
Solderability

For all soldering technologies deviating from above mentioned standard conditions (regarding peak temperature, temperature gradient, temperature profile etc) additional classification and qualification tests have to be agreed upon with Melexis.

The application of Wave Soldering for SMD's is allowed only after consulting Melexis regarding assurance of adhesive strength between device and board.

Melexis recommends reviewing on our web site the General Guidelines soldering recommendation ([http://www.melexis.com/Quality\\_soldering.aspx](http://www.melexis.com/Quality_soldering.aspx)) as well as trim&form recommendations (<http://www.melexis.com/Assets/Trim-and-form-recommendations-5565.aspx>).

For wettable flanks packages, please refer to the Melexis Application Note "QFN wettable flanks specific handling".

Melexis is contributing to global environmental conservation by promoting **lead free** solutions. For more information on qualifications of **RoHS** compliant products (RoHS = European directive on the Restriction Of the use of certain Hazardous Substances) please visit the quality page on our website: <http://www.melexis.com/quality.aspx>

## 16. Disclaimer

Devices sold by Melexis are covered by the warranty and patent indemnification provisions appearing in its Term of Sale. Melexis makes no warranty, express, statutory, implied, or by description regarding the information set forth herein or regarding the freedom of the described devices from patent infringement. Melexis reserves the right to change specifications and prices at any time and without notice. Therefore, prior to designing this product into a system, it is necessary to check with Melexis for current information. This product is intended for use in normal commercial applications. Applications requiring extended temperature range, unusual environmental requirements, or high reliability applications, such as military, medical life-support or life-sustaining equipment are specifically not recommended without additional processing by Melexis for each application.

The information furnished by Melexis is believed to be correct and accurate. However, Melexis shall not be liable to recipient or any third party for any damages, including but not limited to personal injury, property damage, loss of profits, loss of use, interrupt of business or indirect, special incidental or consequential damages, of any kind, in connection with or arising out of the furnishing, performance or use of the technical data herein. No obligation or liability to recipient or any third party shall arise or flow out of Melexis' rendering of technical or other services.

© 2014 Melexis NV. All rights reserved.

---

For the latest version of this document, go to our website at  
[www.melexis.com](http://www.melexis.com)

Or for additional information contact Melexis Direct:

Europe, Africa, Asia:

Phone: +32 1367 0495

E-mail: [sales\\_europe@melexis.com](mailto:sales_europe@melexis.com)

America:

Phone: +1 248 306 5400

E-mail: [sales\\_usa@melexis.com](mailto:sales_usa@melexis.com)

ISO/TS 16949 and ISO14001 Certified