

10115091 - X 0 E - X X X L F

8-COLUMN DIFFERENTIAL SIGNAL

LEAD-FREE DESIGNATION ONLY WITH APPLICABLE PLATING CODES

| LETTER | PLATING (SEE NOTE 6) | |
|--------|----------------------|-------------------------------|
| | APPLICATION | TYPE (REFERENCE) |
| B | TELCORDIA CO | 0.76um GOLD or GXT |
| C | TELCORDIA UE | 1.27um GOLD |
| D | TELCORDIA CO | 0.76um GOLD or GXT, LEAD-FREE |
| E | TELCORDIA UE | 1.27um GOLD, LEAD-FREE |

| NUMBER | GUIDE PIN STYLE (SEE NOTE 8) |
|--------|------------------------------|
| 0 | STANDARD GUIDE PIN, MACHINED |
| 1 | STANDARD GUIDE PIN, ROLLED |

| MODULE DESCRIPTION | LETTER DESIGNATION REPRESENTED IN DASH NUMBER | | | | | | | | | | BASE MODULE |
|--|---|---|---|---|---|---|---|---|---|---|-------------|
| LEFT POLARIZING GUIDANCE MODULE (SEE SHEET 6) | N | J | A | B | C | D | E | F | G | H | |
| | NO KEY NO GUIDE PIN | | | | | | | | | | |
| RIGHT POLARIZING GUIDANCE MODULE (SEE SHEET 7) | Z | Y | P | Q | R | S | T | U | V | W | |
| | NO KEY NO GUIDE PIN | | | | | | | | | | |
| OPEN MODULE (TWO WALL) (SEE SHEET 2) | 0 (ZERO) | | | | | | | | | | |
| LEFT WALL MODULE (SEE SHEET 3) | L | | | | | | | | | | |
| RIGHT WALL MODULE (SEE SHEET 4) | M | | | | | | | | | | |
| FOUR WALL MODULE (SEE SHEET 5) | 1 (ONE) | | | | | | | | | | |

| NUMBER | CONTACT MATING WIPE LENGTH | | COMPLIANT TAIL TYPE (SEE NOTE 9) |
|--------|----------------------------|--------|----------------------------------|
| | SIGNAL | GROUND | |
| 1 | 2 MM | 4 MM | 0.55 (0.0217") DRILL |
| 2 | 3 MM | 4 MM | 0.55 (0.0217") DRILL |
| 3 | 2 MM | 4 MM | 0.45 MICRO (0.0177") DRILL |
| 4 | 3 MM | 4 MM | 0.45 MICRO (0.0177") DRILL |
| 5 | 2 MM | 3 MM | 0.55 (0.0217") DRILL |
| 6 | 3 MM | 3 MM | 0.55 (0.0217") DRILL |
| 7 | 2 MM | 3 MM | 0.45 MICRO (0.0177") DRILL |
| 8 | 3 MM | 3 MM | 0.45 MICRO (0.0177") DRILL |

FOR CUSTOM-LOADED MODULES, SEE INDIVIDUAL CUSTOM DRAWINGS WITH THE DRAWING-NUMBER FORMAT OF 10115091-XXXX, WHERE: "X" DENOTES MODULE TYPE PER CHART ON THIS SHEET "YYYY" IS A SEQUENTIAL NUMBER BEGINNING WITH "0001".

| | UNGROUNDED | GROUND |
|-----------|-------------|-------------|
| FHS | Ø2.35-Ø2.55 | Ø2.35-Ø2.55 |
| PAD | N/A | Ø5.50 |
| PLATED | NO | YES |
| DRILL(mm) | 2.44mm | 2.58mm |
| DRILL(in) | 0.096" | 0.1015" |

| SCREW P/N | DESCRIPTION | BOARD THICKNESS |
|----------------|--|-----------------|
| 10091790-002LF | #2-56 X 0.375" LG. PHILIPS PANHEAD W/SQ CONICAL WASHER | 1.60-5.00mm |
| 10091790-003LF | #2-56 X 0.375" LG. PHILIPS PANHEAD W/SQ CONICAL WASHER | 5.00-10.00mm |

| spec ref | tolerance std | TOLERANCES UNLESS OTHERWISE SPECIFIED | | |
|----------|---------------|---------------------------------------|-------|-----|
| | ISO 406 | 0.X | ±0.3 | |
| | ISO 1101 | 0.XX | ±0.10 | |
| | | 0.XXX | ±0.05 | |
| | ISO 1302 | angular | 0° | ±2° |

| | | | | | | | |
|---------------------|----------------------------------|----------------|--------|-----------|------------------------|--------------|-----|
| dr Collins Lu | 2011/07/27 | projection | mm | size | A2 | scale | 1:1 |
| eng Sandar Soe | 2016/03/07 | | ←→ | ecn no | ELX-S-17624-1 | | |
| chr - | - | | | rel level | Released | | |
| appr Chen-Hong Tan | 2016/03/17 | product family | - | cat. no. | Product - Customer Drw | sheet 1 of 8 | rev |
| Amphenol FCI | MODULE ASSEMBLY, XCEDE HD | | sig no | 10115091 | | E | |
| www.fci.com | Vertical Header, 4 Pair 8 Column | | | | | | |

Amphenol FCI

© 2016 AFCI



SEE DETAIL A
On Sheet 8 For Details

BP HOLE PATTERN COMPONENT SIDE
OPEN WALL MODULE BACKPLANE FOOTPRINT

OPEN WALL MODULE



(5.2)
For 3MM Wipe Signal
(4.2)
For 2MM Wipe Signal



| | | | | | | | | | | | |
|---------------------------------------|---------------------|---------|------------|------------|---------------------|----|----------------------------------|---------------------------|-----------|----------|--|
| spec ref | - | dr | Collins Lu | 2011/07/27 | projection | mm | size | A2 | scale | 1:1 | |
| tolerance std | ISO 406 ISO 1101 | eng | Sandar Soe | 2016/03/07 | | | ecn no | ELX-S-17624-1 | | | |
| TOLERANCES UNLESS OTHERWISE SPECIFIED | | chr | - | appr | | | Chen-Hong Tan | 2016/03/17 | rel level | Released | |
| surface | ISO 1302 | linear | 0.X | ±0.3 | | | product family | - | | | |
| | | | 0.XX | ±0.10 | Amphenol FCI | | title | MODULE ASSEMBLY, XCEDE HD | | | |
| | | | 0.XXX | ±0.05 | www.fci.com | | Veritcal Header, 4 Pair 8 Column | dwg no | 10115091 | | |
| | | angular | 0° | ±2° | www.fci.com | | cat. no. | - | | | |
| Product - Customer Drw | | | | | | | sheet 2 of 8 | | | | |



LEFT WALL MODULE



SEE DETAIL A
On Sheet 8 For Details



BP HOLE PATTERN COMPONENT SIDE
LEFT WALL MODULE BACKPLANE FOOTPRINT

Amphenol
FCi

© 2016 AFci

| | | | | | | | | | | |
|---------------------------------------|---------------------|---------|------------|------------|-------------|----------|--|------------------------|--------------------|----------|
| spec ref | - | dr | Collins Lu | 2011/07/27 | projection | mm | size | A2 | scale | 1:1 |
| tolerance std | ISO 406 ISO 1101 | eng | Sandar Soe | 2016/03/07 | | mm | ecn no | ELX-S-17624-1 | rel level | Released |
| TOLERANCES UNLESS OTHERWISE SPECIFIED | | chr | - | appr | | | | | | |
| surface | ISO 1302 | linear | 0.X | ±0.3 | | | MODULE ASSEMBLY, XCEDE HD Vertical Header, 4 Pair 8 Column | | dwg no 10115091 | rev E |
| | | angular | 0° | ±2° | www.fci.com | cat. no. | - | Product - Customer Drw | sheet 3 of 8 | |

PDS: Rev :E

STATUS:Released

Printed: Mar 17, 2016



RIGHT WALL MODULE



SEE DETAIL A
On Sheet 8 For Details

BP HOLE PATTERN COMPONENT SIDE

RIGHT WALL MODULE BACKPLANE FOOTPRINT



(5.2)
For 3MM Wipe Signal
(4.2)
For 2MM Wipe Signal

Amphenol
FCi

© 2016 AFCi

| | | | | | | | | | | | |
|---------------------------------------|---------------------|---------|------------|------------|-------------|----|----------|---------------------------|-----------|------------------------|---------------|
| spec ref | - | dr | Collins Lu | 2011/07/27 | projection | mm | size | A2 | scale | 1:1 | |
| tolerance std | ISO 406 ISO 1101 | eng | Sandar Soe | 2016/03/07 | | mm | ecn no | ELX-S-17624-1 | rel level | Released | |
| TOLERANCES UNLESS OTHERWISE SPECIFIED | | chr | - | appr | | | | | | | Chen-Hong Tan |
| surface | ISO 1302 | linear | 0.X | ±0.3 | | | title | MODULE ASSEMBLY, XCEDE HD | | rev | E |
| | | angular | 0° | ±2° | www.fci.com | | cat. no. | - | | Product - Customer Drw | sheet 4 of 8 |

PDS: Rev :E

STATUS:Released

Printed: Mar 17, 2016



△ FOUR WALL MODULE

BP HOLE PATTERN COMPONENT SIDE

△ FOUR WALL MODULE BACKPLANE FOOTPRINT



Amphenol
FCi

© 2016 AFCI

| | | | | | | | | | | |
|---------------------------------------|---------------------|------|------------|------------|--|----|--------------------|---------------|--|----------|
| spec ref | - | dr | Collins Lu | 2011/07/27 | projection | mm | size | A2 | scale | 1:1 |
| tolerance std | ISO 406 ISO 1101 | eng | Sandar Soe | 2016/03/07 | | mm | ecn no | ELX-S-17624-1 | rel level | Released |
| TOLERANCES UNLESS OTHERWISE SPECIFIED | | chr | - | appr | | | | | | |
| surface | linear | 0.X | ±0.3 | | MODULE ASSEMBLY, XCEDE HD Vertical Header, 4 Pair 8 Column | | dwg no 10115091 | rev E | www.fci.com cat. no. - Product - Customer Drw sheet 5 of 8 | |
| | | 0.XX | ±0.10 | | | | | | | |
| | angular | 0° | ±2° | | | | | | | |

PDS: Rev :E

STATUS:Released

Printed: Mar 17, 2016

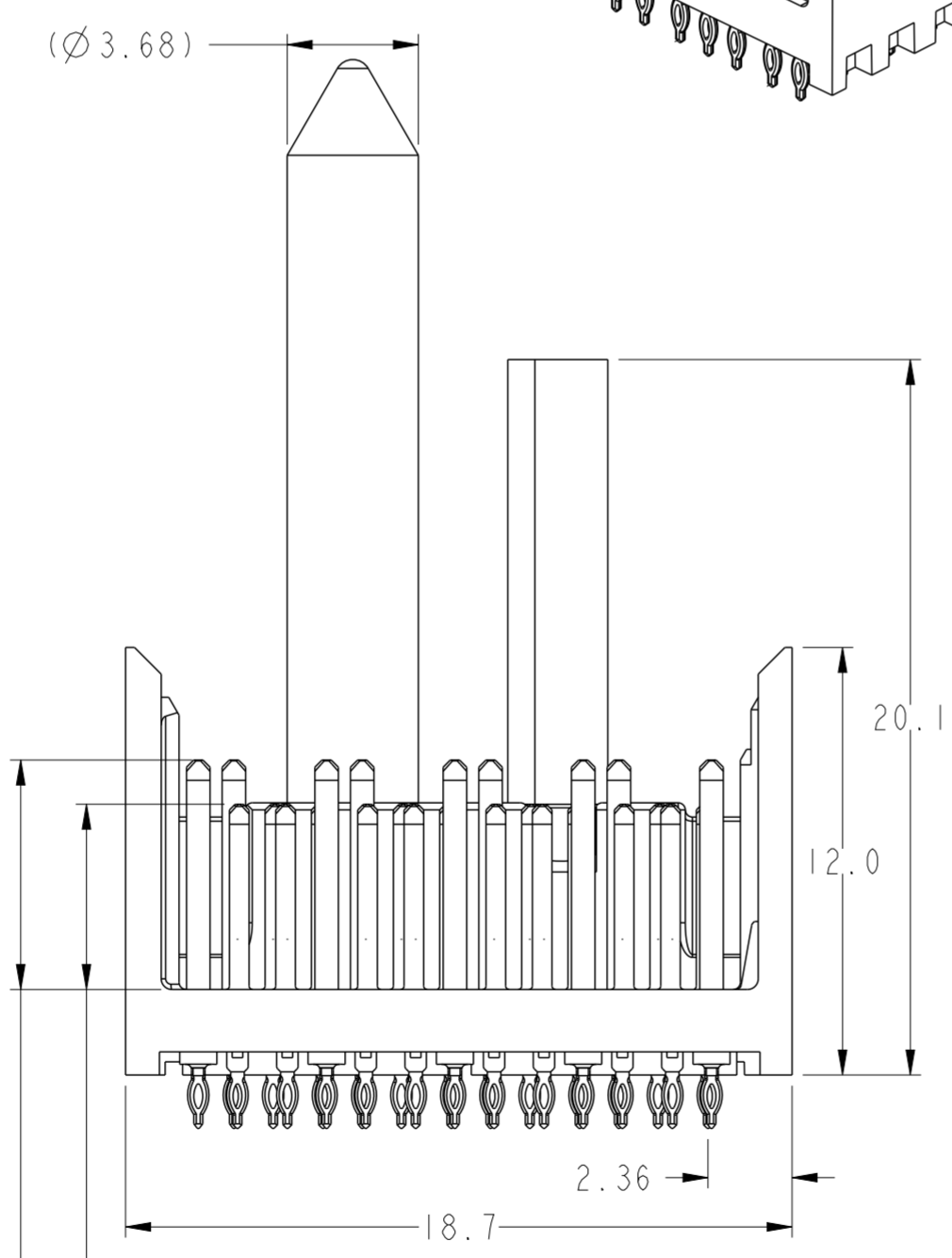


LEFT POLARIZING/GUIDE MODULE



SEE DETAIL A OnSheet 8 For Details

BP HOLE PATTERN COMPONENT SIDE
LEFT POLARIZING GUIDE MODULE
BACKPLANE FOOTPRINT



- (5.2) For 3MM Wipe Signal
- (4.2) For 2MM Wipe Signal
- (6.4) For 4MM Wipe Ground
- (5.4) For 3MM Wipe Ground

SEE NOTE 11 & TABLE 1

| | | | | | | | | | | | |
|---------------------------------------|---------------------|---------|------------|------------|-------------|----|------------------------|---------------------------|-----------|----------|---------------|
| spec ref | - | dr | Collins Lu | 2011/07/27 | projection | mm | size | A2 | scale | 1:1 | |
| tolerance std | ISO 406 ISO 1101 | eng | Sandar Soe | 2016/03/07 | | mm | ecn no | ELX-S-17624-1 | rel level | Released | |
| TOLERANCES UNLESS OTHERWISE SPECIFIED | | chr | - | appr | | | | | | | Chen-Hong Tan |
| surface | ISO 1302 | linear | 0.X | ±0.3 | | | cat. no. | MODULE ASSEMBLY, XCEDE HD | 10115091 | rev | E |
| | | angular | 0° | ±2° | www.fci.com | | Product - Customer Drw | sheet 6 of 8 | | | |



Optional Key See Sheet 1
Part Number Tree

SEE NOTE 5



PIN A1

MODULE OUTLINE
PIN A1 HOLE



SEE DETAIL A
On Sheet 8 For Details



BP HOLE PATTERN COMPONENT SIDE
RIGHT POLAIZING/GUIDE MODULE
BACKPLANE FOOTPRINT

RIGHT POLARIZING/GUIDE MOUDLE



(1.5)
Tail Length

- (5.2) For 3MM Wipe Signal
- (4.2) For 2MM Wipe Signal
- (6.4) For 4MM Wipe Ground
- (5.4) For 3MM Wipe Ground

| | | | | | | | | | | |
|---------------|---------------------------------------|---------|---------------|--|----------------|--------------------|----------|------------------------|--------------|----------|
| spec ref | - | dr | Collins Lu | 2011/07/27 | projection | mm | size | A2 | scale | 1:1 |
| tolerance std | ISO 406 ISO 1101 | eng | Sandar Soe | 2016/03/07 | chr | - | ecn no | ELX-S-17624-1 | rel level | Released |
| surface | ISO 1302 | appr | Chen-Hong Tan | 2016/03/17 | product family | - | cat. no. | Product - Customer Drw | sheet 7 of 8 | |
| linear | 0.X ±0.3 0.XX ±0.10 0.XXX ±0.05 | angular | 0° ±2° | Amphenol FCI MODULE ASSEMBLY, XCEDE HD Vertical Header, 4 Pair 8 Column | | dwg no 10115091 | rev E | | | |

PDS: Rev :E

STATUS:Released

Printed: Mar 17, 2016

Amphenol
FCi

© 2016 AFCi



DETAIL A
SCALE 12:1

| TABLE 3 | | |
|---------|---|---|
| | COMPLIANT PIN DRILL $\varnothing 0.55 [0.0217"]$ | COMPLIANT PIN DRILL $\varnothing 0.45 [0.0177"]$ |
| PTH | $\varnothing 0.45 \pm 0.05$ | $\varnothing 0.36 \pm 0.05$ |
| DRILL | $\varnothing 0.55 [0.0217"]$ | $\varnothing 0.45 [0.0177"]$ |
| PAD | $\varnothing 0.85$ | $\varnothing 0.75$ |

NOTES:

- CONNECTOR MATERIALS
SHROUD : HIGH-TEMP POLYMER, COLOR : BLACK, UL94V-0
CONTACTS : HIGH PERFORMANCE COPPER ALLOY
- PRODUCT SPECIFICATION : GS-12-0936
- APPLICATION SPECIFICATION : GS-20-0348
- PRODUCT MARKING :
PART NUMBER (10115091-XOE-XXXLF)
"FCI" AND DATE CODE (FCI P#####)
- NOTCH DESIGNATES "ROW A" SIDE OF CONNECTOR. NOTCH FEATURE ON OPPOSITE FOR PRODUCT MARKING.
- PLATING THICKNESS OF SIGNAL & GROUND CONTACT ARE DETERMINED BY PLATING CODE, REFER TO P/N TREE ON SHEET 1.
- PACKAGING MEETS GS-14-920 LEAD-FREE LABELING SPECIFICATION.
- GUIDE-PIN STYLE DESIGNATION ONLY APPLIES TO MODULE VERSIONS THAT REQUIRE GUIDE-PIN HARDWARE. FOR ALL NON-GUIDE-PIN VERSIONS, THE DEFAULT DASH-NUMBER DIGIT IN THAT LOCATION IS STILL "0".
- SEE APPLICATION SPECIFICATION FOR ROUTING GUIDELINES, ADDITIONAL PTH GUIDELINES, MATED DIMENSIONS, GUIDE PIN SELECTION, ETC.
- A $\triangle E$ SYMBOL WILL BE NEXT TO ANY DIMENSION, VIEW OR NOTE THAT HAS BEEN MODIFIED WITH THE CURRENT DRAWING REVISION.
- OPTIONAL HOLE LOCATION FOR GROUNDED PIN OR ADDITIONAL GUIDE-PIN SUPPORT. SEE TABLE 1 SHEET 1 FOR ADDITIONAL DETAILS.
- SCREW IS OPTIONAL AND ENGAGES WITH BOTTOM OF GUIDE PIN FROM BENEATH THE PCB FOR ADDITIONAL GUIDE-PIN SUPPORT.

Amphenol
FCi

© 2016 AFci

| | | | | | | | | | | | | |
|---------------|---------------------|---------|------------|---------------|------------|----|---------------|---------------|-------|----------------|---|----------|
| spec ref | - | dr | Collins Lu | 2011/07/27 | projection | mm | size | A2 | scale | 1:1 | | |
| tolerance std | ISO 406 ISO 1101 | eng | Sandar Soe | 2016/03/07 | | | ecn no | ELX-S-17624-1 | | rel level | Released | |
| surface | ISO 1302 | chr | - | appr | | | Chen-Hong Tan | 2016/03/17 | | product family | Module Assembly, XCEDE HD Vertical Header, 4 Pair 8 Column | cat. no. |
| | | linear | 0.X | ± 0.3 | | | | | | | rev | E |
| | | | 0.XX | ± 0.10 | | | | | | | | |
| | | | 0.XXX | ± 0.05 | | | | | | | | |
| | | angular | 0° | $\pm 2^\circ$ | | | | | | | sheet 8 of 8 | |