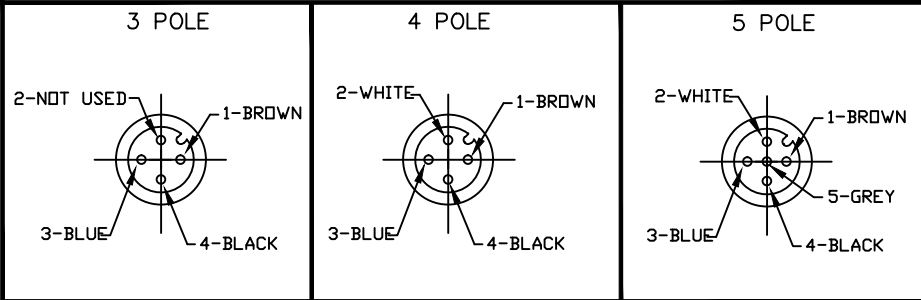


10 9 8 7 6 5 4 3 2 1

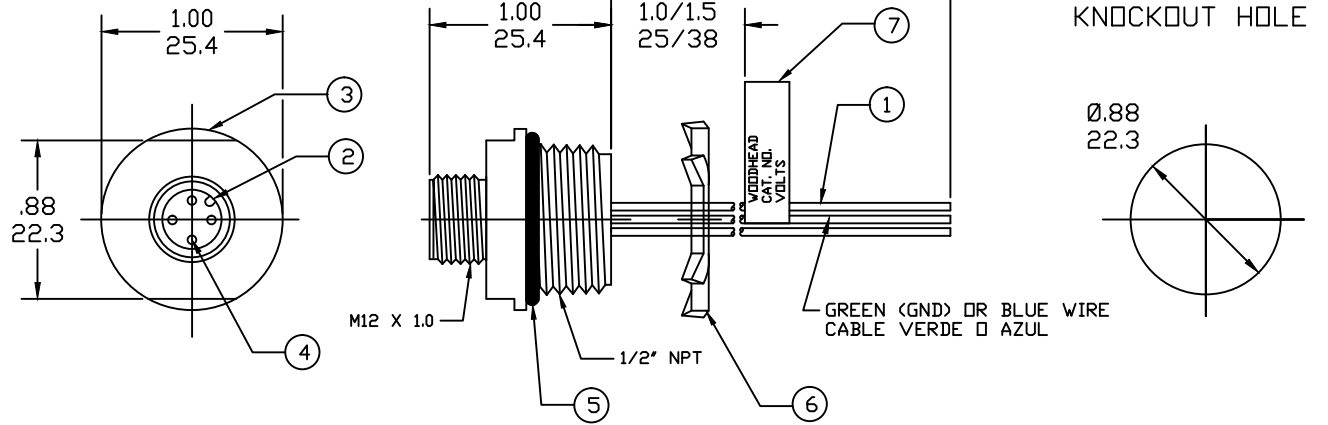
FRONT VIEW - MALE INSERT CONFIGURATION CHART



POLE	MATERIAL NO.	ENGINEERING NO.	FINISHED LENGTH
3	1200700090	8R3006A16M010	3'3" +2.19-0 (1M +55.6mm-0)
4	1200700175	8R4006A16A120	12.0" +.75-0 (.3M +19mm-0)
5	1200700250	8R5006A16M020	6'7" +3.50-0 (2M +88.9mm-0)

CONNECTOR SPECIFICATION:

VOLTAGE RATING 3 - 4 PIN	250V per IEC 60664
VOLTAGE RATING 5 PIN	60V per IEC 60664 250V per UL 2238
AMPERAGE RATING	4 AMPS
PROTECTION	IP67
OPERATING TEMPERATURE	-20°C TO 80°C
UL CERTIFICATIONS	UL LISTED, FILE NO. E152210
CSA CERTIFICATIONS	CSA CERTIFIED, FILE NO. LR6837



ITEM	COMPONENT	MATERIAL	FINISH
7	LABEL	MYLAR	BLACK/YELLOW
6	LOCKNUT	STEEL	ZINC PLATED
5	O-RING	VITON	BLACK
4	CONTACT SOCKET	COPPER ALLOY	GOLD OVER NICKEL
3	SHELL FEMALE M12x1	ALUMINUM	BLACK ANODIZED
2	MALE INSERT	NYLON	BLACK
1	CONDUCTOR- 18 AWG 3-5 CONDUCTOR 300V	PVC	SEE WIRING DIAGRAMM

NEW SALES DOC EC NO: IPG2017-0318 DRWN: BBRAUCH 2016/09/21 CHKD: RSILLER 2016/09/21 APPR: RSILLER 2013/02/07	DESCRIPTION REV	QUALITY SYMBOLS	GENERAL TOLERANCES (UNLESS SPECIFIED)	DIMENSION STYLE	SCALE	DESIGN UNITS	THIRD ANGLE PROJECTION																												
		$\nabla=0$ $\sphericalangle=0$	<table border="1"> <thead> <tr> <th></th> <th>mm</th> <th>INCH</th> </tr> </thead> <tbody> <tr> <td>4 PLACES</td> <td>±---</td> <td>±---</td> </tr> <tr> <td>3 PLACES</td> <td>±---</td> <td>±---</td> </tr> <tr> <td>2 PLACES</td> <td>±---</td> <td>±.01</td> </tr> <tr> <td>1 PLACE</td> <td>±0.3</td> <td>±---</td> </tr> </tbody> </table>		mm	INCH	4 PLACES	±---	±---	3 PLACES	±---	±---	2 PLACES	±---	±.01	1 PLACE	±0.3	±---	INCH/MM	---	INCH	<table border="1"> <tr> <td>DRAWN BY</td> <td>DATE</td> </tr> <tr> <td>RSTONE</td> <td>2012/11/07</td> </tr> <tr> <td>CHECKED BY</td> <td>DATE</td> </tr> <tr> <td>K JOZWIK</td> <td>2012/11/28</td> </tr> <tr> <td>APPROVED BY</td> <td>DATE</td> </tr> <tr> <td>JFMURPHY</td> <td>2013/02/07</td> </tr> </table>	DRAWN BY	DATE	RSTONE	2012/11/07	CHECKED BY	DATE	K JOZWIK	2012/11/28	APPROVED BY	DATE	JFMURPHY	2013/02/07	TITLE MICRO-CHANGE RECEPTACLE 3-5 POLE MALE #18/3-5 AWG PVC WIRE
			mm	INCH																															
		4 PLACES	±---	±---																															
3 PLACES	±---	±---																																	
2 PLACES	±---	±.01																																	
1 PLACE	±0.3	±---																																	
DRAWN BY	DATE																																		
RSTONE	2012/11/07																																		
CHECKED BY	DATE																																		
K JOZWIK	2012/11/28																																		
APPROVED BY	DATE																																		
JFMURPHY	2013/02/07																																		
DRAFT WHERE APPLICABLE MUST REMAIN WITHIN DIMENSIONS		SEE CHART	MATERIAL NO. SD-120070-044	DOCUMENT NO. SD-120070-044	SHEET NO. 1 OF 1																														
A2		SIZE B	THIS DRAWING CONTAINS INFORMATION THAT IS PROPRIETARY TO MOLEX INCORPORATED AND SHOULD NOT BE USED WITHOUT WRITTEN PERMISSION																																

10 9 8 7 6 5 4 3 2 1