

EUROLOCKS - Keylock switch IP54

3.13.009.001/0000

2 keys included.



Other lock variants available on request.

General information

Color	charcoal grey
Form of collar	square

Dimensions

Length of collar	19 mm
Width of collar	19 mm
Overall height	19.5 mm

Mechanical design

Mounting	soldering
Terminals	tin-plated
Contact system	cross contact self cleaning
Contact function	latching
Contact materials	Au alloy
Illuminability	no
Lock	Eurolocks
Wafers	5
Lock type	801
Number of locking positions	50
Main key	no
Symmetric key	yes
Key removal position	0

Mechanical characteristics

Switching torque	0.04 ... 0.10 Nm
Robustness max.	2 Nm
Dielectric strength AC min.	500 V
Rated power max.	1 W

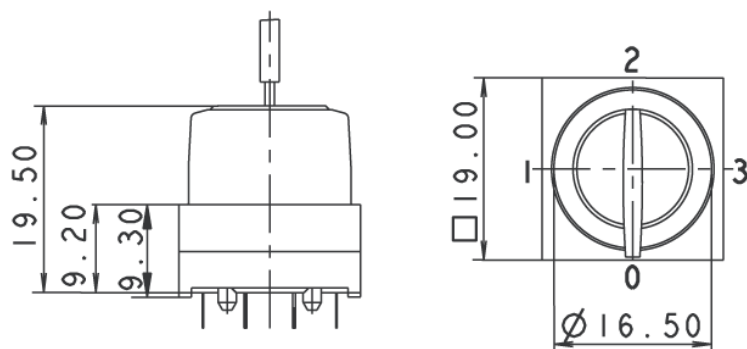
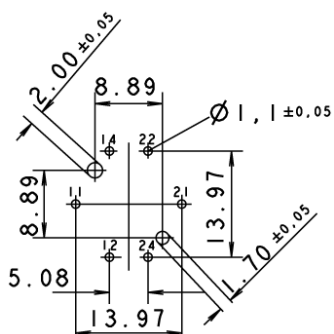
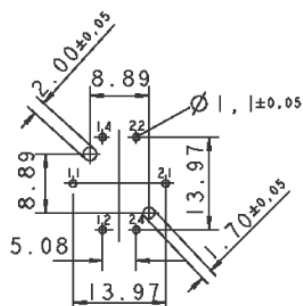
Electrical characteristics

Rated voltage	2 ... 35 V
Rated current max.	100 mA
Contact resistance when new max.	100 mΩ
Contact resistance acc. to life max.	200 mΩ
Insulation resistance	10 ⁹ Ω
ESD strength max.	8 kV

Other specifications

Rotating angle	1 x 90°
Operating life	10,000 cycle
Degree of protection from front side	IP54
Ambient temp. operating min.	-25 °C
Ambient temp. operating max.	+70 °C
Storage temperature min.	-40 °C
Storage temperature max.	+80 °C
Environmental resistance	acc. to IEC 60068-2-14, -30, -33 and -78
Flammability of materials	UL 94 HB
ROHS compliant	yes
REACH compliant	yes

PCB hole pattern, component side



Technical data are approximate and intended solely for general orientation in the selection of a product. Subject to modifications and errors. Images and other graphics may only be similar. For more information, refer to www.rafi.de chapter Imprint / Data Protection.

