

THIS DRAWING IS UNPUBLISHED.

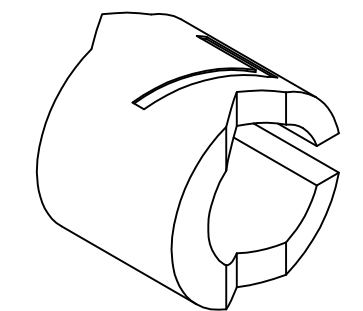
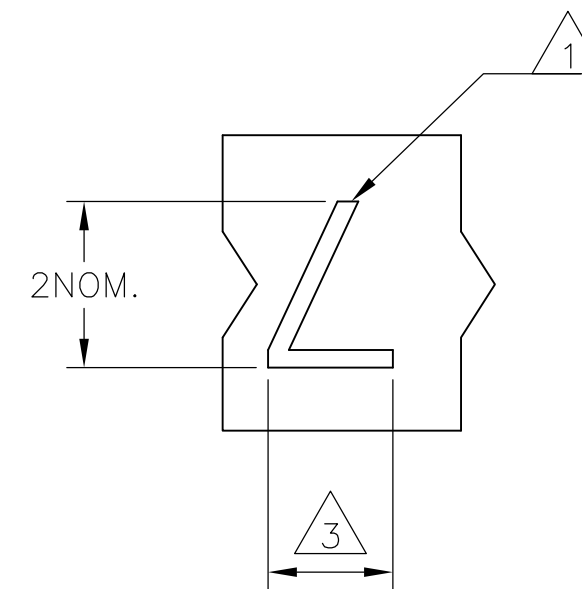
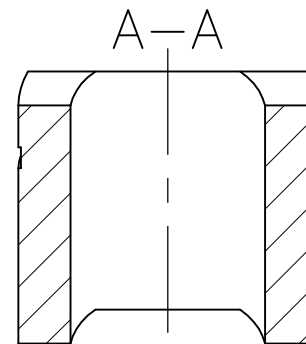
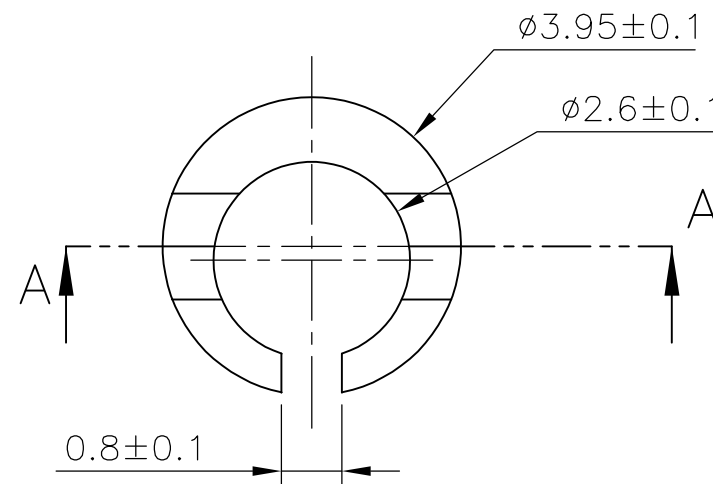
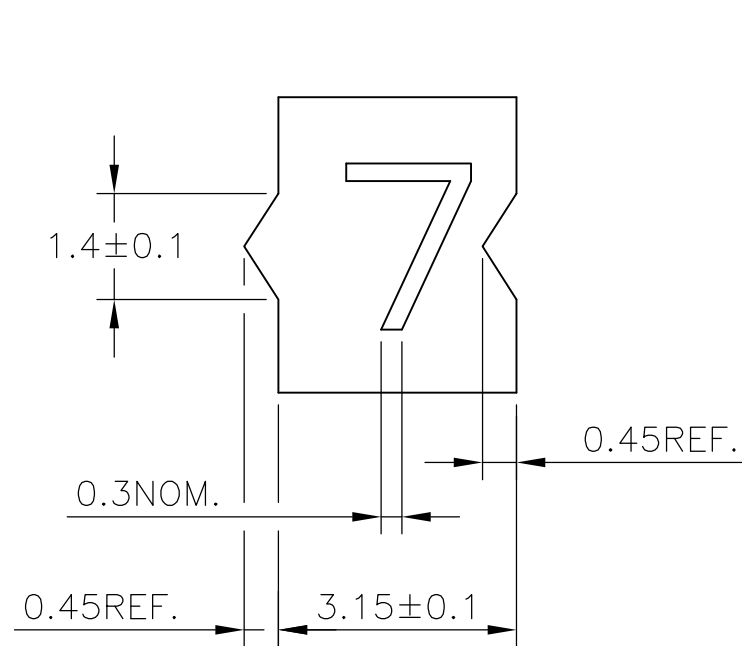
RELEASED FOR PUBLICATION

ALL RIGHTS RESERVED.

© COPYRIGHT - By -


REVISIONS

| P | LTR | DESCRIPTION | DATE | DWN | APVD |
|---|-----|---|-----------|-----|------|
| 2 | | STRIKE THROUGH OBS PARTS. ECR-16-009538 | 08JUL2016 | AFK | LS |



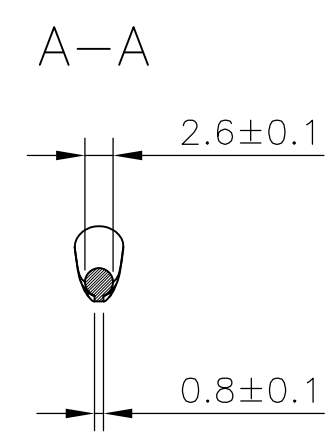
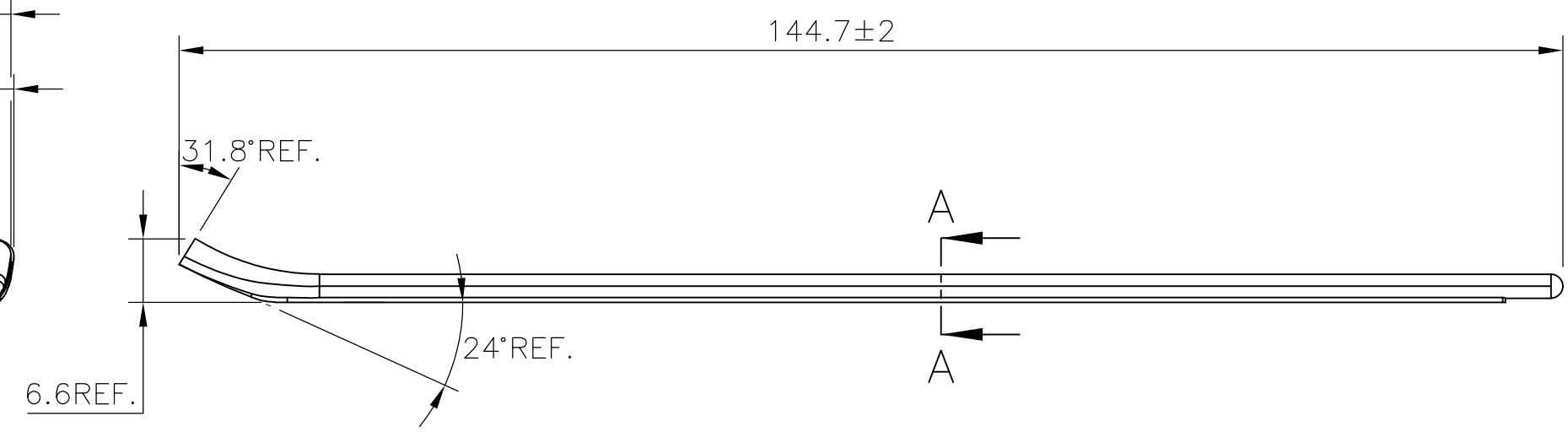
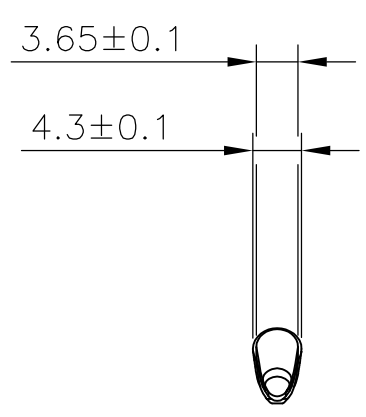
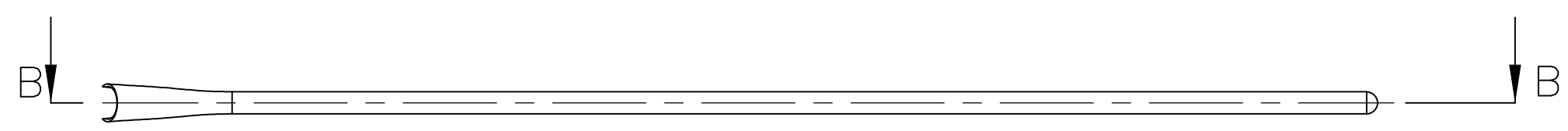
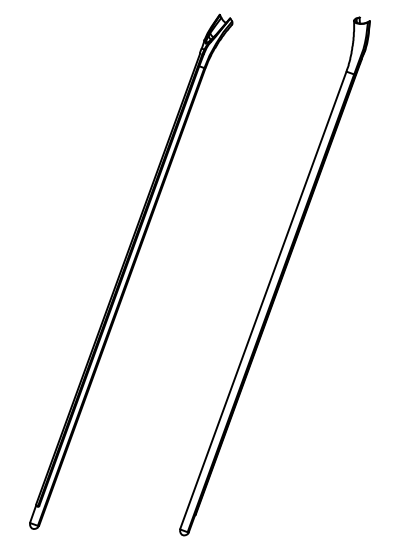
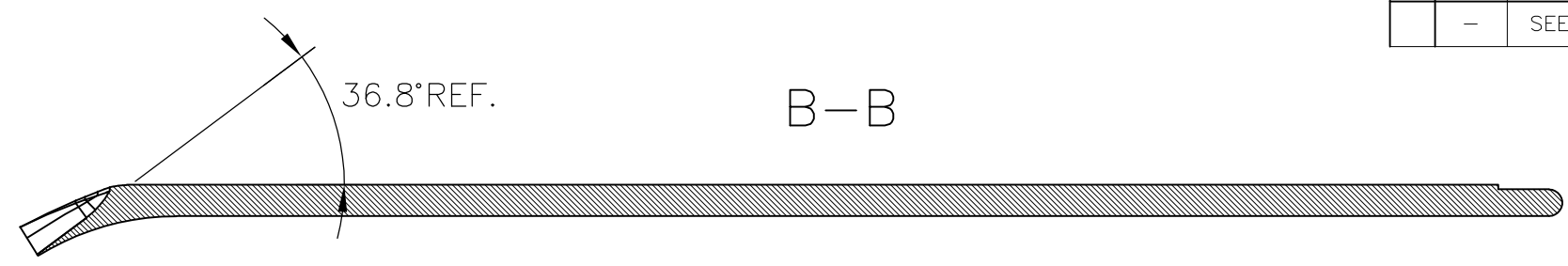
NOTES:

- 1 FOR PART NUMBER SEE SHEET 3 OF 3.
- 2 MARK SHOULD BE CENTRALLY POSITIONED ± 0.1 mm.
- 3 WIDTH OF MARK DEPENDS ON CHARACTER PRINTED

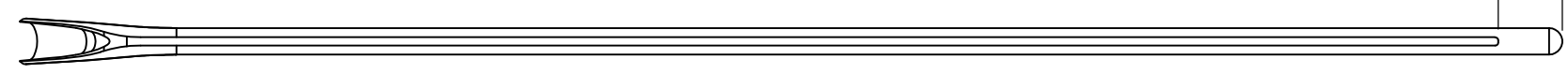
| | | | | | | | | | | | | | | | | | |
|--|-----|------------------------------------|--|--------------|--------------------|-----------------------------|--------------------|-------|-----|-------|-----|--------|-----|-------------------|---|--|--|
| THIS DRAWING IS A CONTROLLED DOCUMENT. | | DWN RAGHAVENDRA K 25MAR2013 |  TE Connectivity | | | | | | | | | | | | | | |
| DIMENSIONS: mm | | CHK KEAN ALAN 25MAR2013 | | | | | | | | | | | | | | | |
| TOLERANCES UNLESS OTHERWISE SPECIFIED: | | APVD MARIO APPELLO 25MAR2013 | NAME SNAP-ON MARKER STB/STD 06 WITH APPLICATOR | | | | | | | | | | | | | | |
| <table border="1"> <tr><td>0 PLC</td><td>± -</td></tr> <tr><td>1 PLC</td><td>± -</td></tr> <tr><td>2 PLC</td><td>± -</td></tr> <tr><td>3 PLC</td><td>± -</td></tr> <tr><td>4 PLC</td><td>± -</td></tr> <tr><td>ANGLES</td><td>± -</td></tr> </table> | | 0 PLC | ± - | 1 PLC | ± - | 2 PLC | ± - | 3 PLC | ± - | 4 PLC | ± - | ANGLES | ± - | PRODUCT SPEC - | - | | |
| 0 PLC | ± - | | | | | | | | | | | | | | | | |
| 1 PLC | ± - | | | | | | | | | | | | | | | | |
| 2 PLC | ± - | | | | | | | | | | | | | | | | |
| 3 PLC | ± - | | | | | | | | | | | | | | | | |
| 4 PLC | ± - | | | | | | | | | | | | | | | | |
| ANGLES | ± - | | | | | | | | | | | | | | | | |
| MATERIAL - | | FINISH - | APPLICATION SPEC - | SIZE A3 | CAGE CODE 00779 | DRAWING NO C-8-1198163-2 | RESTRICTED TO - | | | | | | | | | | |
| CUSTOMER DRAWING | | | WEIGHT 0 | SCALE NTS | SHEET 1 OF 3 | REV 2 | | | | | | | | | | | |


THIS DRAWING IS UNPUBLISHED. RELEASED FOR PUBLICATION
 © COPYRIGHT - By - ALL RIGHTS RESERVED.

| REVISIONS | | | | |
|-----------|-----|-------------|------|------|
| P | LTR | DESCRIPTION | DATE | APVD |
| - | - | SEE SHEET 1 | - | - |



6.6 REF.



| | | | | |
|---|--|------------------------------------|---|--------------------|
| THIS DRAWING IS A CONTROLLED DOCUMENT. | | DWN RAGHAVENDRA K 25MAR2013 |  TE Connectivity | |
| DIMENSIONS: mm | | CHK KEAN ALAN 25MAR2013 | | |
| TOLERANCES UNLESS OTHERWISE SPECIFIED: | | APVD MARIO APPELLO 25MAR2013 | NAME SNAP-ON MARKER STB/STD 06 WITH APPLICATOR | |
| 0 PLC ± - 1 PLC ± - 2 PLC ± - 3 PLC ± - 4 PLC ± - ANGLES ± - | | PRODUCT SPEC - | - | |
| MATERIAL - | | FINISH - | APPLICATION SPEC - | RESTRICTED TO - |
| | | WEIGHT - | SIZE A3 | CAGE CODE 00779 |
| | | CUSTOMER DRAWING | DRAWING NO C-8-1198163-2 | RESTRICTED TO - |
| | | | SCALE NTS | SHEET 2 OF 3 |
| | | | | REV 2 |

THIS DRAWING IS UNPUBLISHED.

RELEASED FOR PUBLICATION

REVISIONS

© COPYRIGHT - By -

ALL RIGHTS RESERVED.

| P | LTR | DESCRIPTION | DATE | DWN | APVD |
|---|-----|-------------|------|-----|------|
| - | - | SEE SHEET 1 | - | - | - |

| DESCRIPTION | PART NO. |
|---------------|-------------|
| STB06-0-0 | 3-1768038-3 |
| STB06-1-1 | 3-1768038-8 |
| STB06-2-2 | 4-1768038-4 |
| STB06-2-6 | 4-1768038-6 |
| STB06-3-3 | 5-1768038-0 |
| STB06-5-5 | 6-1768038-0 |
| STB06-6-6 | 6-1768038-5 |
| STB06-7-7 | 7-1768038-1 |
| STB06-8-8 | 7-1768038-6 |
| STB06-BLANK-0 | 8-1768038-4 |
| STB06-BLANK-1 | 8-1768038-5 |
| STB06-BLANK-2 | 8-1768038-6 |
| STB06-BLANK-3 | 8-1768038-7 |
| STB06-BLANK-5 | 8-1768038-8 |
| STB06-BLANK-6 | 8-1768038-9 |
| STB06-BLANK-7 | 9-1768038-0 |
| STB06-BLANK-8 | 9-1768038-1 |
| STD06W/1-12 | 7-1768710-7 |
| STD06W/1-18 | 7-1768710-8 |
| STD06W/SA | 8-1768043-7 |
| STD06W/SAB | 8-1768043-8 |
| STD06W/SB | 8-1768043-9 |
| STD06W-0 | 134056-000 |
| STD06W-1 | 712904-000 |
| STD06W-2 | 478630-000 |
| STD06W-3 | 991038-000 |
| STD06W-4 | 662434-000 |
| STD06W-5 | 531934-000 |
| STD06W-6 | 177598-000 |
| STD06W-7 | 632126-000 |

| DESCRIPTION | PART NO. |
|------------------------|------------------------|
| STD06W-8 | 384682-000 |
| STD06W-9 | 965848-000 |
| STD06W-A | 465694-000 |
| STD06W-AC | 9-1768043-0 |
| STD06W-A-LC | 9-1768043-1 |
| STD06W-B | 390550-000 |
| STD06W-BLANK | 114376-000 |
| STD06W-B-LC | 9-1768043-2 |
| STD06W-C | 286932-000 |
| STD06W-COLON | 046438-000 |
| STD06W-D | 651444-000 |
| STD06W-DOT | 9-1768043-4 |
| STD06W-E | 574158-000 |
| STD06W-EARTH | 9-1768043-5 |
| STD06W-F | 235542-000 |
| STD06W-G | 578874-000 |
| STD06W-H | 459916-000 |
| STD06W-I | 195488-000 |
| STD06W-J | 257040-000 |
| STD06W-K | 573384-000 |
| STD06W-K-LC | 1768044-2 |
| STD06W-L | 234826-000 |
| STD06W-L-LC | 1768044-3 |
| STD06W-M | 273236-000 |
| STD06W-MINUS | 1768044-4 |
| STD06W-N | 928608-000 |
| STD06W-N-LC | 1768044-6 |
| STD06W-P | 588992-000 |
| STD06W-PLUS | 1768044-7 |
| STD06W-Q | 168296-000 |

| DESCRIPTION | PART NO. |
|------------------------|------------------------|
| STD06W-R | 455404-000 |
| STD06W-S | 220668-000 |
| STD06W-SLASH | 094824-000 |
| STD06W-T | 819568-000 |
| STD06W-U | 639630-000 |
| STD06W-V | 683320-000 |
| STD06W-W | 015462-000 |
| STD06W-X | 061564-000 |
| STD06W-Y | 004924-000 |
| STD06W-Z | 217706-000 |
| STD06Y/SA | 1-1768044-1 |
| STD06Y-0 | 459072-000 |
| STD06Y-1 | 474550-000 |
| STD06Y-2 | 493356-000 |
| STD06Y-3 | 444122-000 |
| STD06Y-4 | 805984-000 |
| STD06Y-5 | 092458-000 |
| STD06Y-6 | 226310-000 |
| STD06Y-7 | 677496-000 |
| STD06Y-8 | 729268-000 |
| STD06Y-9 | 978452-000 |
| STD06Y-A | 087406-000 |
| STD06Y-AC | 1-1768044-4 |
| STD06Y-A-LC | 1-1768044-5 |
| STD06Y-B | 757816-000 |
| STD06Y-BLANK | 1-1768044-6 |
| STD06Y-B-LC | 1-1768044-7 |
| STD06Y-C | 621660-000 |
| STD06Y-COLON | 1-1768044-8 |
| STD06Y-D | 661096-000 |

| DESCRIPTION | PART NO. |
|------------------------|------------------------|
| STD06Y-D-LC | 1-1768044-9 |
| STD06Y-DOT | 2-1768044-0 |
| STD06Y-E | 056868-000 |
| STD06Y-EARTH | 2-1768044-1 |
| STD06Y-E-LC | 2-1768044-2 |
| STD06Y-F | 863870-000 |
| STD06Y-G | 203428-000 |
| STD06Y-H | 582580-000 |
| STD06Y-I | 945988-000 |
| STD06Y-J | 301972-000 |
| STD06Y-K | 668832-000 |
| STD06Y-L | 001308-000 |
| STD06Y-L-LC | 2-1768044-8 |
| STD06Y-M | 682660-000 |
| STD06Y-MINUS | 2-1768044-9 |
| STD06Y-N | 858346-000 |
| STD06Y-N-LC | 3-1768044-1 |
| STD06Y-P | 033374-000 |
| STD06Y-PLUS | E52054-000 |
| STD06Y-Q | 675790-000 |
| STD06Y-R | 168706-000 |
| STD06Y-S | 074826-000 |
| STD06Y-SLASH | 562584-000 |
| STD06Y-T | 836378-000 |
| STD06Y-U | 816500-000 |
| STD06Y-V | 709862-000 |
| STD06Y-W | 976882-000 |
| STD06Y-X | 424858-000 |
| STD06Y-Y | 067448-000 |
| STD06Y-Z | 930240-000 |



OBSOLETE PART

THIS DRAWING IS A CONTROLLED DOCUMENT.

| | |
|-------------------|---|
| DIMENSIONS: mm | TOLERANCES UNLESS OTHERWISE SPECIFIED: |
| | 0 PLC ± - 1 PLC ± - 2 PLC ± - 3 PLC ± - 4 PLC ± - ANGLES ± - |
| MATERIAL | FINISH |
| - | - |

| | |
|------------------|-----------|
| DWN | 25MAR2013 |
| RAGHAVENDRA K | |
| CHK | 25MAR2013 |
| KEAN ALAN | |
| APVD | 25MAR2013 |
| MARIO APPELLO | |
| PRODUCT SPEC | |
| APPLICATION SPEC | |
| WEIGHT | - |
| CUSTOMER DRAWING | |



TE Connectivity

NAME
SNAP-ON MARKER STB/STD 06 WITH APPLICATOR

| | | | |
|-------|-----------|---------------|---------------|
| SIZE | CAGE CODE | DRAWING NO | RESTRICTED TO |
| A3 | 00779 | C-8-1198163-2 | - |
| SCALE | SHEET | REV | |
| NTS | 3 OF 3 | 2 | |