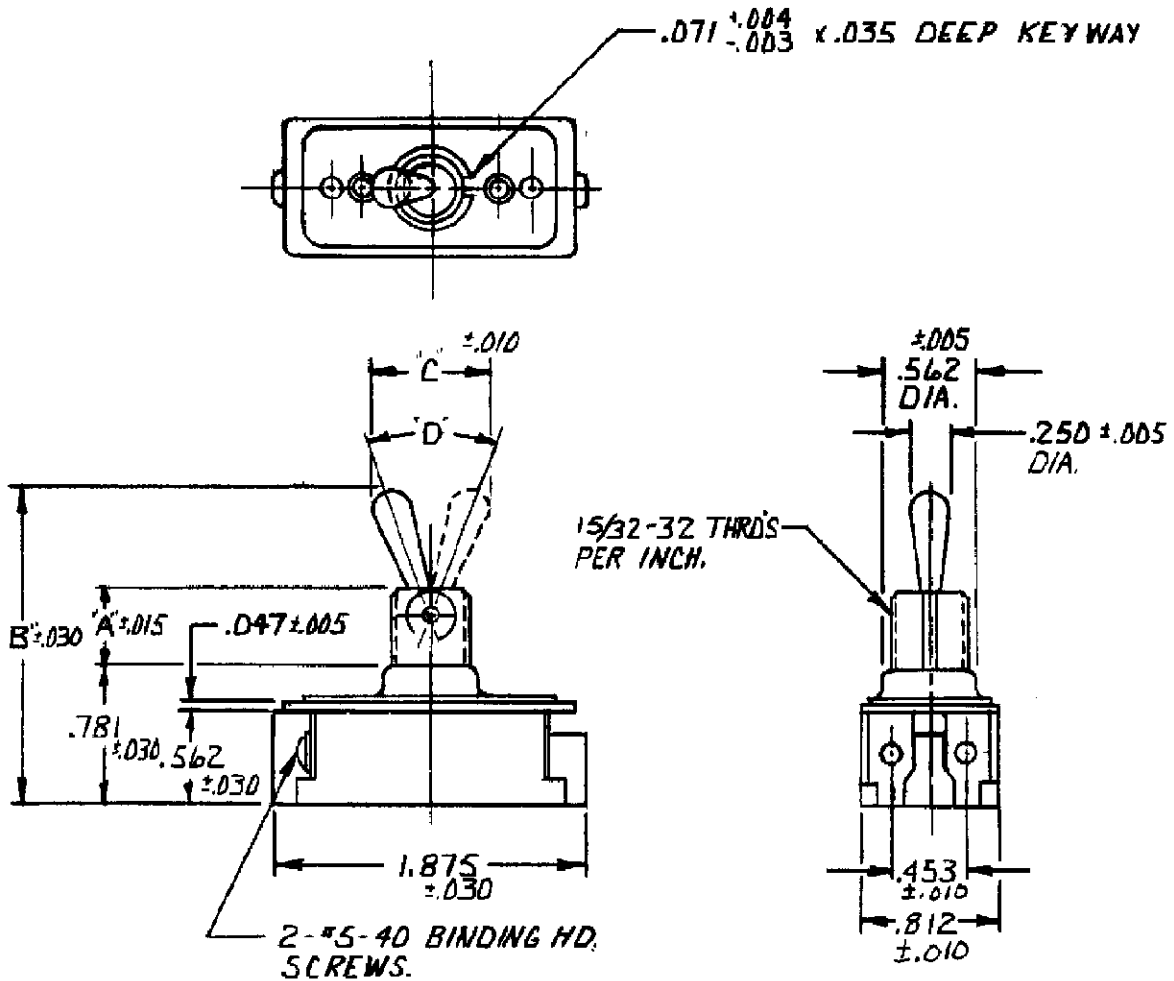


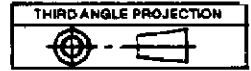
TITLE DIMENSIONS FOR DBL. POLE TOOL HD'L. SW. FOR EUROPEAN USE

ORDER NO.	702A575014		BASIC SPECS. SUMMARY	
			M. R. P.G. 11-26-76	DR MICHAEL WHITEO 1/8/76
			702A575014	ADD Richard Beard
A	REVISED PER ECO-11-005294	18APR11	HMR	CHK. J. SMITH 1-14-76
LTR	REVISION RECORD	DATE	CHK	1520237 REV A





37 <sup>±4</sup> °	7321	.469	1.922	.719
50 <sup>±4</sup> °	7321	.344	1.766	.844
"D"	CAT. NO.	A	B	C



**TITLE**  
**DIMENSIONS FOR SINGLE POLE ONE HANDLE MTG. TOOL HANDLE SWITCH.**

**ORDER NO.** 9310N10 **BASIC SPECS. SUMMARY**

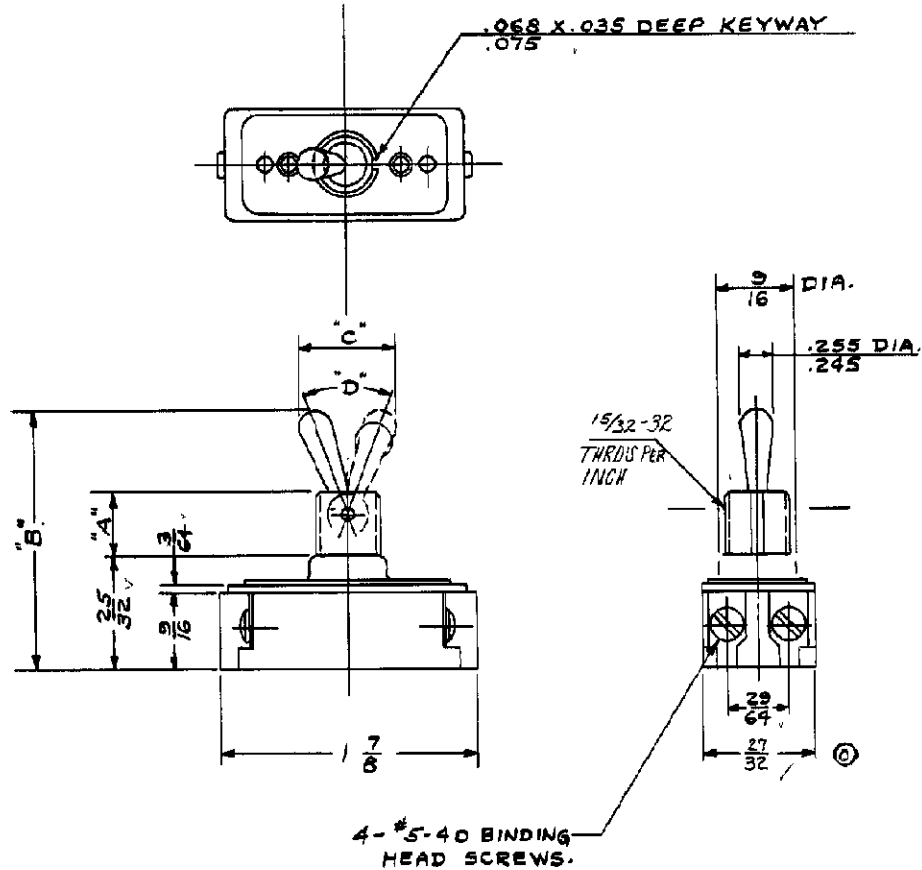
		DR. JEFF BROTHERS	11/27/04	APP. Bill Newland	
		CHK. GLENN STORV	11/27/04	1520237	REV A

SEE SHEET 1



1520237

RAW MAT SPEC WITH  
PART NO AND AMOUNT REQ'D.



37±4°	7320	15/32	159/64	21/32
50±4°	7320	11/32	149/64	21/32
"D"	CAT. NO.	A	B	C

BULLETIN  
DIMENSIONS FOR ~~TYPE 7320~~, ONE HOLE MTG. TOOL HANDLE SWITCH

DR. <i>E. R. Leonard</i>	11/14/40	1520237
CHKD. <i>J. P. ...</i>	10/14/40	SUP. S. NON-INTERCHANGEABLE
APP. <i>J. P. ...</i>	10/15/40	SUP. D BY NON-INTERCHANGEABLE
DO NOT SCALE DRAWING. WORK ACCORDING TO DIMENSIONS.		SURFACE COATING
STANDARD TOLERANCES 90-875 APPLY TO DIMENSIONS FOR WHICH TOLERANCES ARE NOT SPECIFIED.		SCALE 1" = 1"
SEE SHEET 1	ORDER NO. DEV. 4041-10	REV A

FORM NO. 7  
DIMENSIONS ON THIS DRAWING  
15-40  
SCHILLER  
15-40  
CLOSE

**STE** TE Connectivity