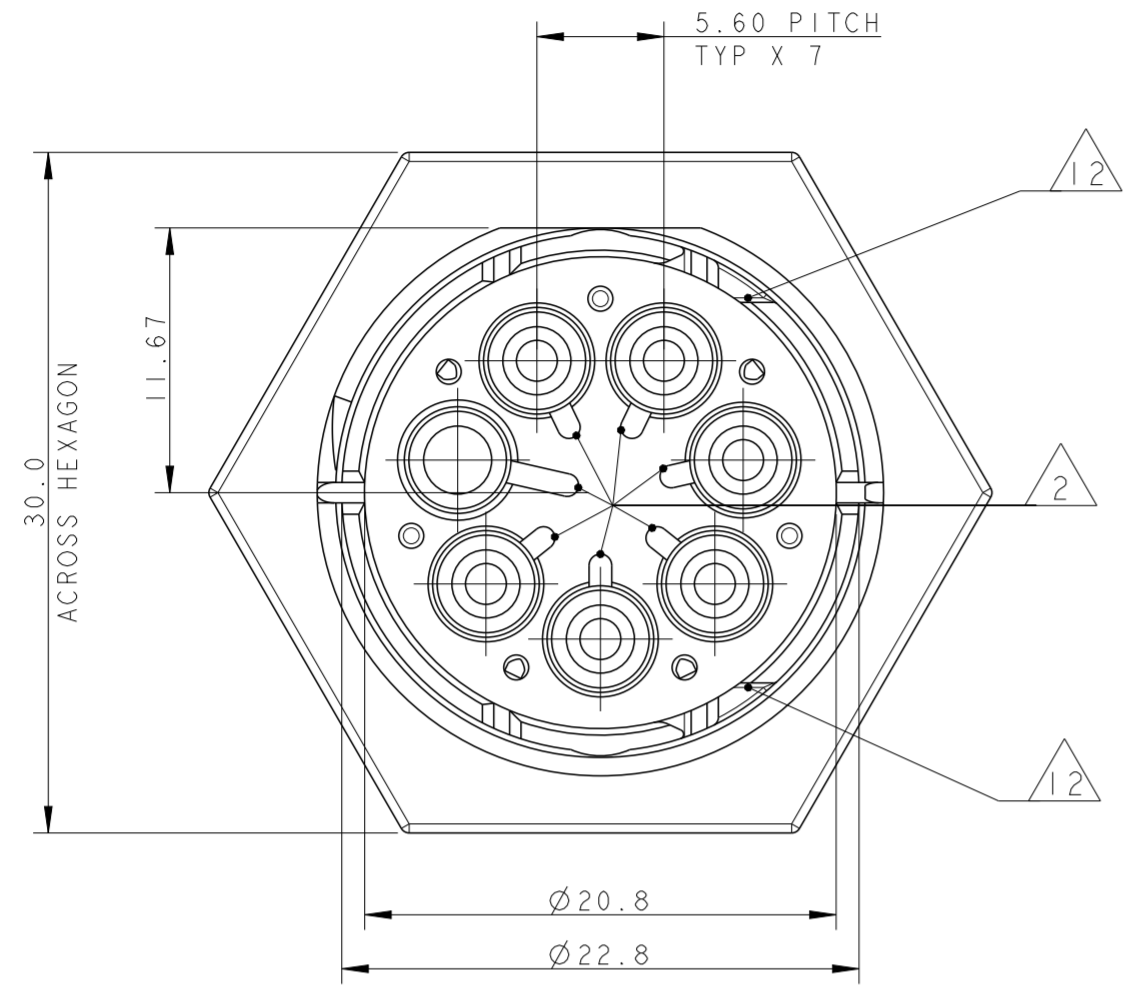
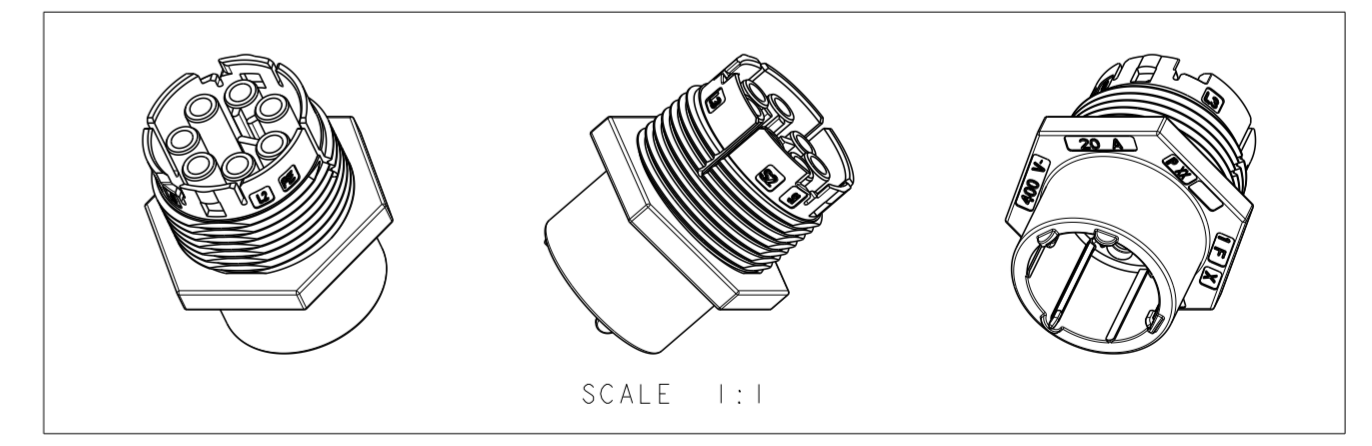
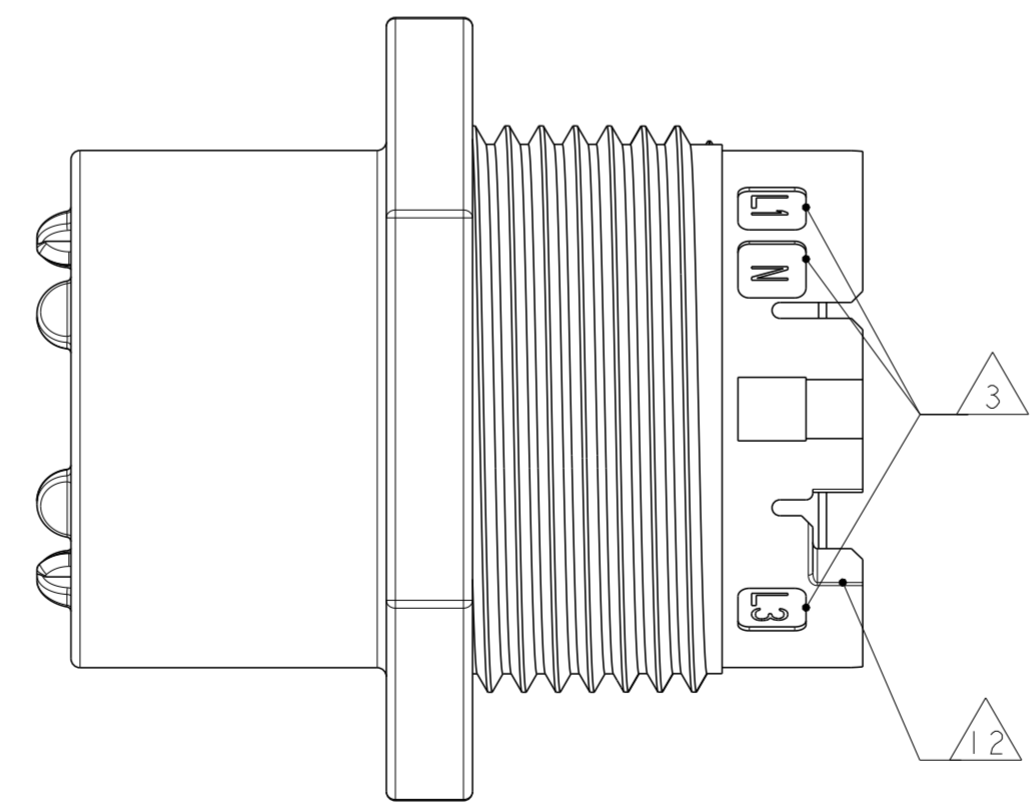
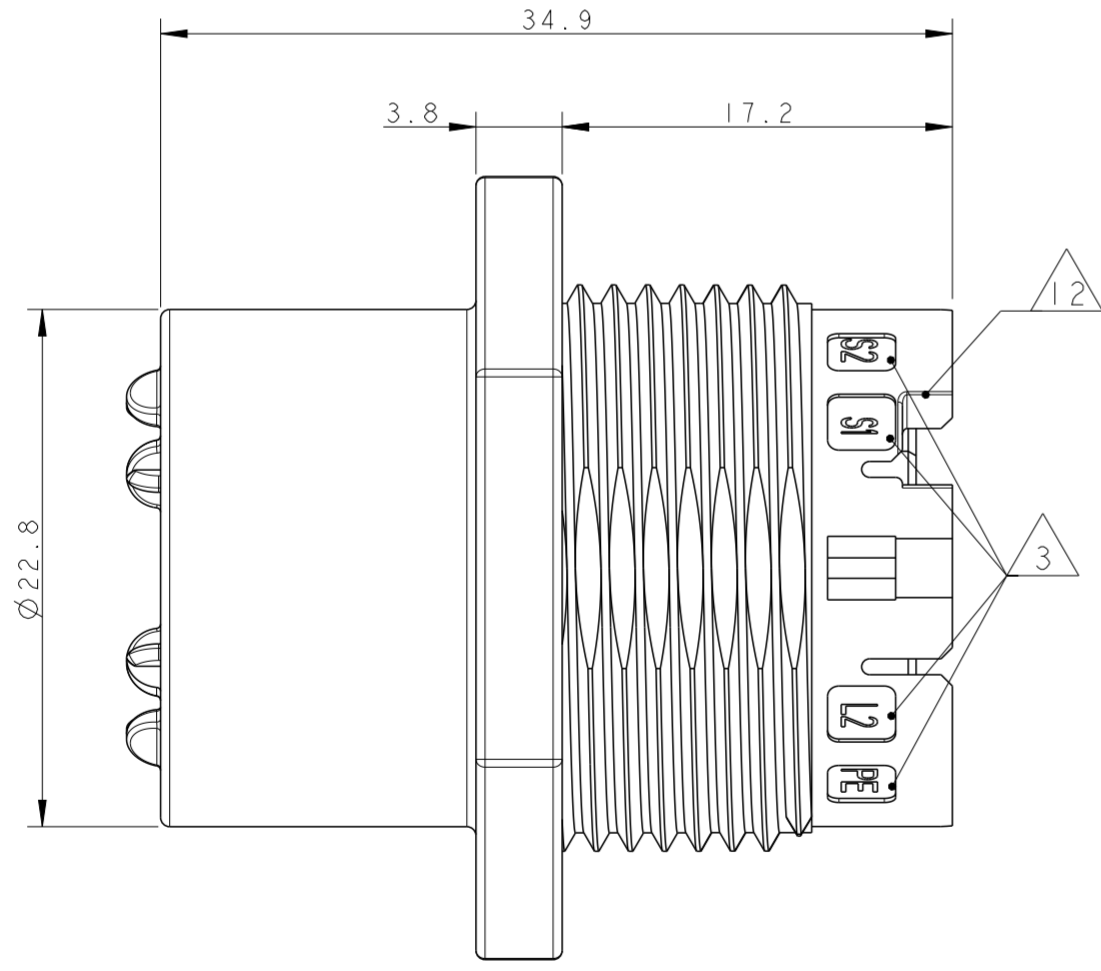


THIS DRAWING IS UNPUBLISHED. RELEASED FOR PUBLICATION 2011
 © COPYRIGHT 2011 BY - ALL RIGHTS RESERVED.

LOC		DIST		REVISIONS			
P	LTR	DESCRIPTION	DATE	DWN	APVD		
	2	UPDATED	02MAY2011	AB	GT		
	3	UPDATED	22JUL2013	MZ	JC		
	A	PARTS RELEASED FOR PRODUCTION	14NOV2013	MZ	JC		
	B	ECR-15-011011	27JUL2015	RS	PO		



- NOTES:
- 1 MATERIAL: PA GF (NATURAL AND BLACK COLOUR)
 - 2 ALL POLARIZATION KEYS SHOWN FOR REF ONLY
 - 3 WAYS I.D.
 - 4 CURRENT RATING
 - 5 VOLTAGE RATING
 - 6 TE LOGO
 - 7 TE PART NUMBER
 - 8 DATA CODE AND CAVITY I.D.
 - 9 AREA FOR AGENCIES APPROVAL LOGO
 - 10) SEE C-DRAWING 293682 (LOCKING CAP) TO GET IP 40
 - 11 IP CODE
 - 12 SLOTS TO ALLOW DELATCHING TOOL OPERATION. FOR DELATCHING TOOL AND OPERATION REFER TO APPLICATION SPECIFICATION



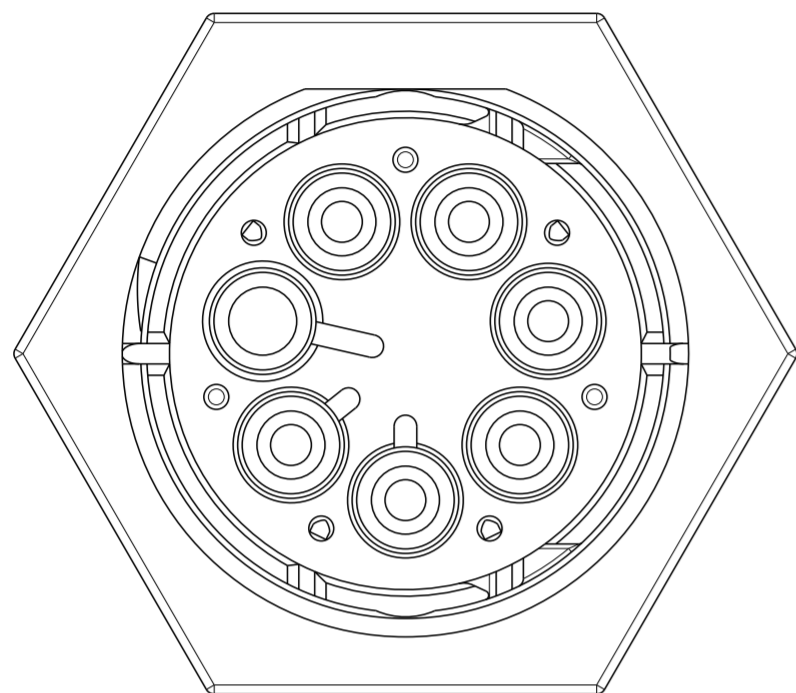
THIS DRAWING IS A CONTROLLED DOCUMENT.		DWN A. BERNARDI 31MAR2011	TE Connectivity	
DIMENSIONS: mm		CHK M. ZUCCA 31MAR2011		
TOLERANCES UNLESS OTHERWISE SPECIFIED:		APVD G. TURCO 31MAR2011	NAME SKT HOUSING 7 POLES PANEL MOUNT NECTOR M-LINE UNSEALED VERSION	
0 PLC ± 1 PLC ±0.3 2 PLC ±0.20 3 PLC ± 4 PLC ± ANGLES ±3° FINISH		PRODUCT SPEC -	SIZE A2	CAGE CODE 0779
MATERIAL		APPLICATION SPEC -	DRAWING NO C-293773	RESTRICTED TO -
NOTE 1		WEIGHT -	SCALE 3:1	SHEET 1 OF 3
		Customer Drawing	REV B	

THIS DRAWING IS UNPUBLISHED. RELEASED FOR PUBLICATION 2011
 © COPYRIGHT 2011 BY - ALL RIGHTS RESERVED.

LOC		DIST		REVISIONS			
P	LTR	DESCRIPTION	DATE	DWN	APVD		
-	-	SEE SHEET 1	-	-	-		

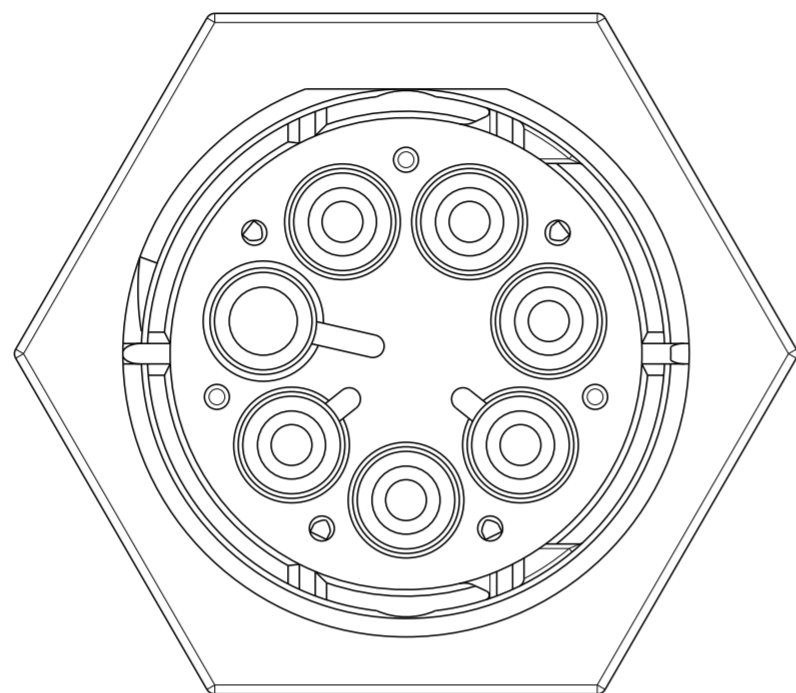
POLARIZATION TYPES

POLARIZATION TYPE "A"



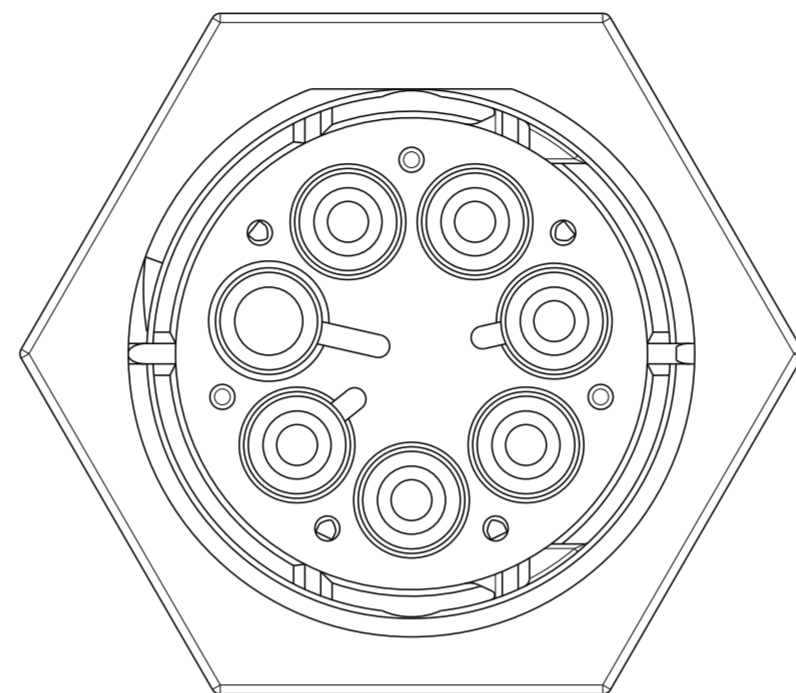
PNs 0-293773-1 AND
1-293773-1

POLARIZATION TYPE "B"



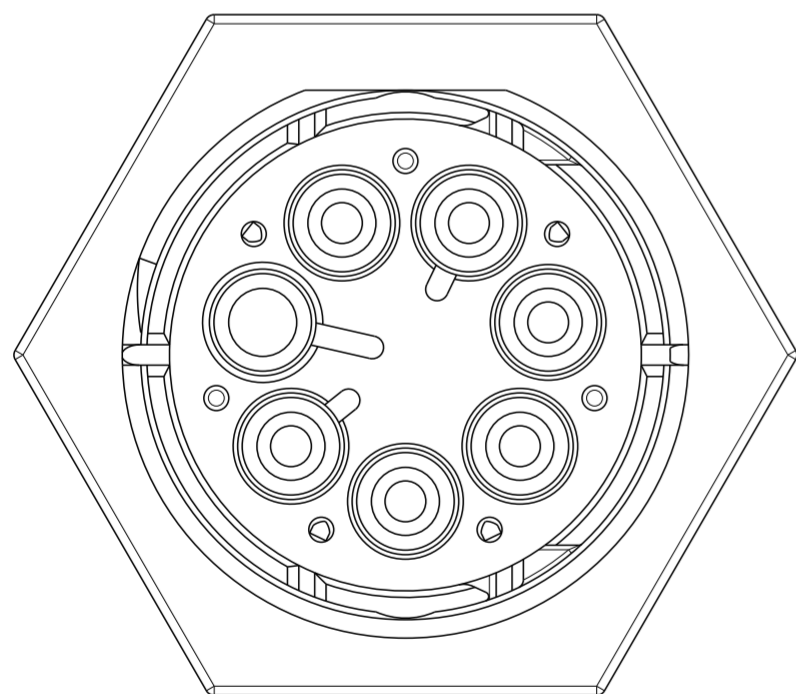
PNs 0-293773-2 AND
1-293773-2

POLARIZATION TYPE "C"



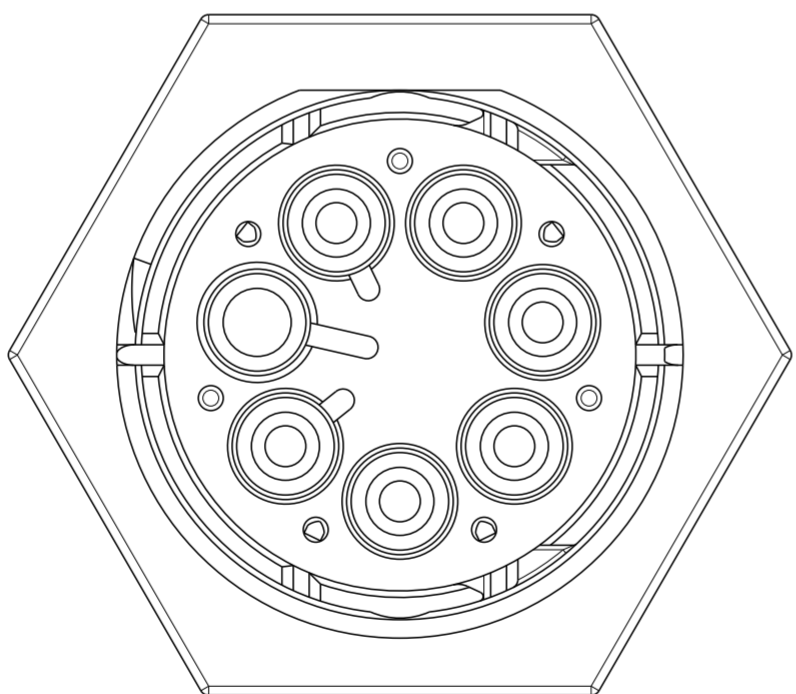
PNs 0-293773-3 AND
1-293773-3

POLARIZATION TYPE "D"



PNs 0-293773-4 AND
1-293773-4

POLARIZATION TYPE "E"



PNs 0-293773-5 AND
1-293773-5

TABLE 1

NOTE	POL. KEYING	COLOUR	DESCRIPTION	REV.	P/N
1	E	BLACK	SOCKET HSG 7 POLES PANEL MOUNT NECTOR* M-LINE	A	1-293773-5
1	D	BLACK	SOCKET HSG 7 POLES PANEL MOUNT NECTOR* M-LINE	A	1-293773-4
1	C	BLACK	SOCKET HSG 7 POLES PANEL MOUNT NECTOR* M-LINE	A	1-293773-3
1	B	BLACK	SOCKET HSG 7 POLES PANEL MOUNT NECTOR* M-LINE	A	1-293773-2
1	A	BLACK	SOCKET HSG 7 POLES PANEL MOUNT NECTOR* M-LINE	A	1-293773-1
1	E	NATURAL	SOCKET HSG 7 POLES PANEL MOUNT NECTOR* M-LINE	A	0-293773-5
1	D	NATURAL	SOCKET HSG 7 POLES PANEL MOUNT NECTOR* M-LINE	A	0-293773-4
1	C	NATURAL	SOCKET HSG 7 POLES PANEL MOUNT NECTOR* M-LINE	A	0-293773-3
1	B	NATURAL	SOCKET HSG 7 POLES PANEL MOUNT NECTOR* M-LINE	A	0-293773-2
1	A	NATURAL	SOCKET HSG 7 POLES PANEL MOUNT NECTOR* M-LINE	A	0-293773-1

THIS DRAWING IS A CONTROLLED DOCUMENT.

DIMENSIONS: mm	TOLERANCES UNLESS OTHERWISE SPECIFIED: 0 PLC ± 1 PLC ±0.3 2 PLC ±0.20 3 PLC ± 4 PLC ± ANGLES ±3° FINISH
MATERIAL	NOTE 1

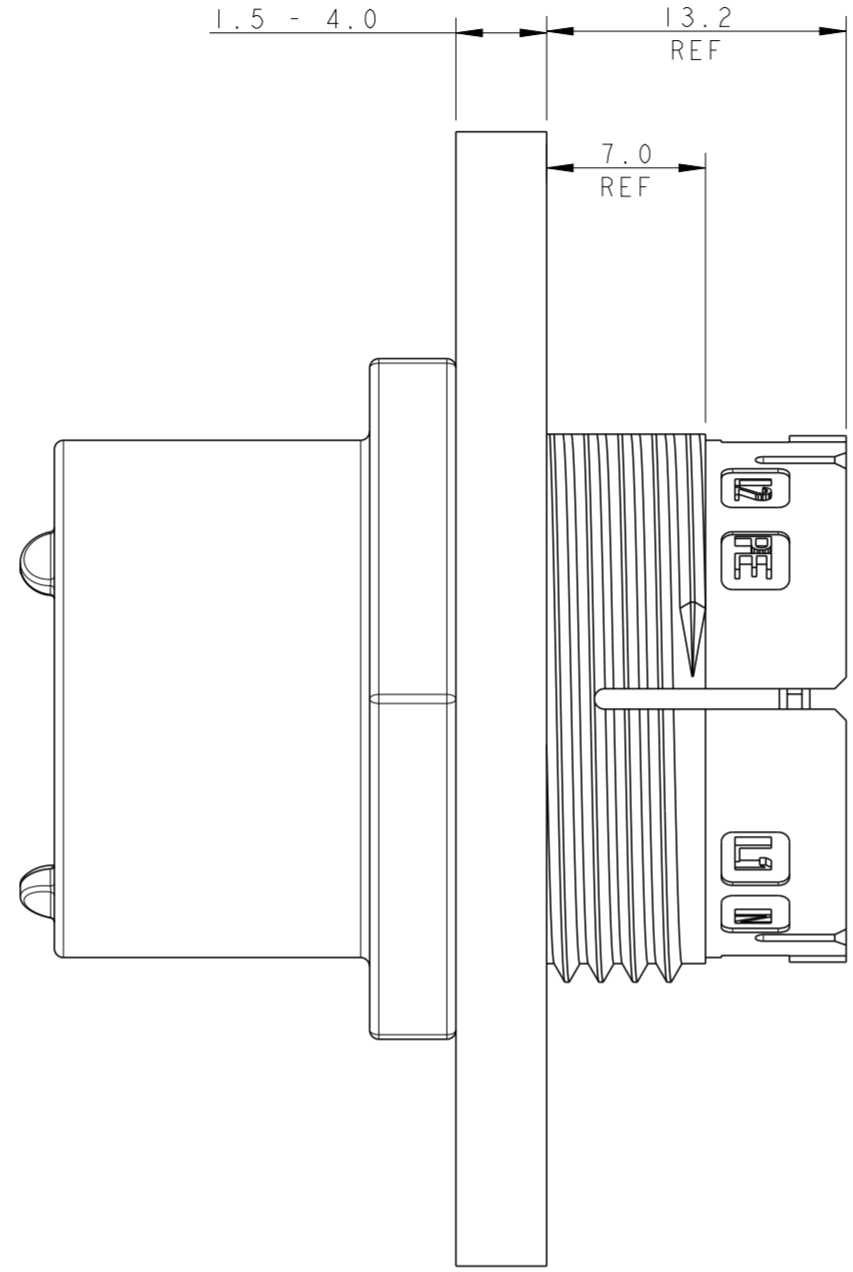
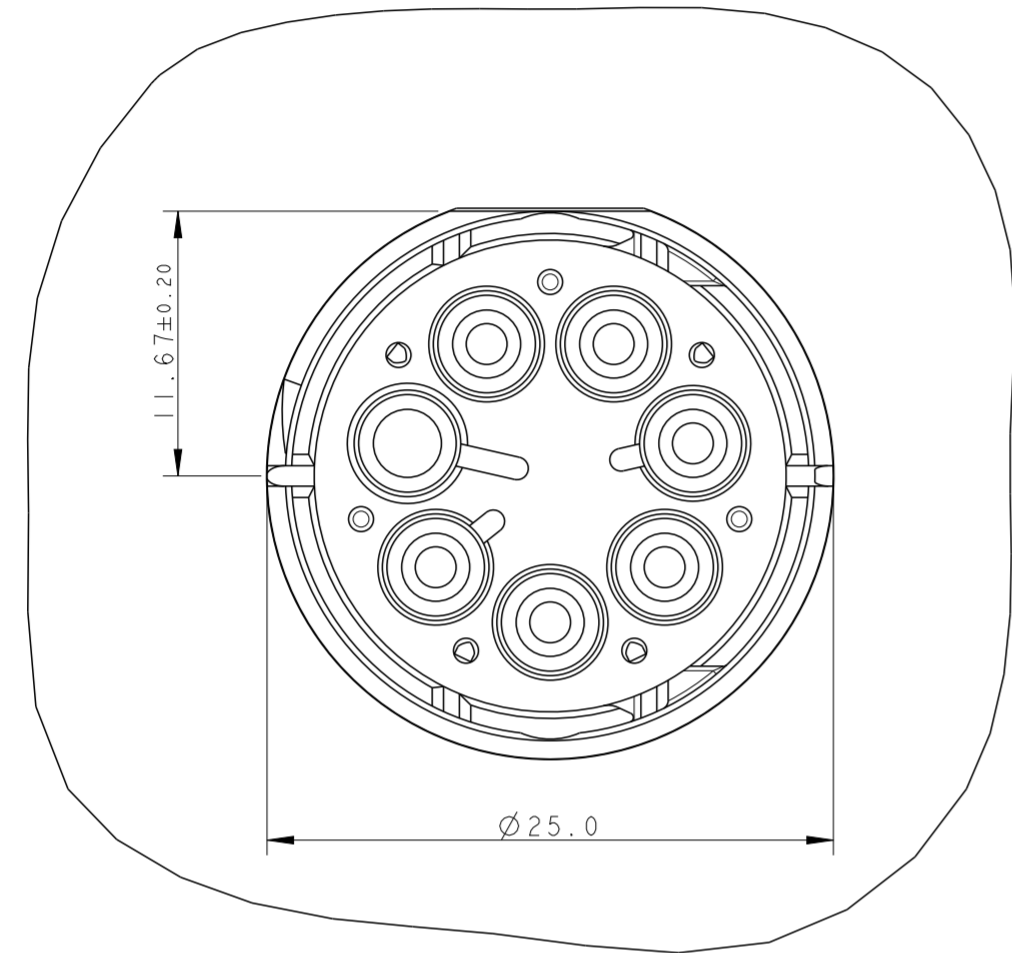
DWN A. BERNARDI 31MAR2011	CHK M. ZUCCA 31MAR2011	APVD G. TURCO 31MAR2011
PRODUCT SPEC		
APPLICATION SPEC		
WEIGHT		
Customer Drawing		

TE Connectivity			
NAME SKT HOUSING 7 POLES PANEL MOUNT NECTOR M-LINE UNSEALED VERSION			
SIZE	CAGE CODE	DRAWING NO	RESTRICTED TO
A2	0779	C-293773	-
SCALE	SHEET	OF	REV
3:1	2	3	B

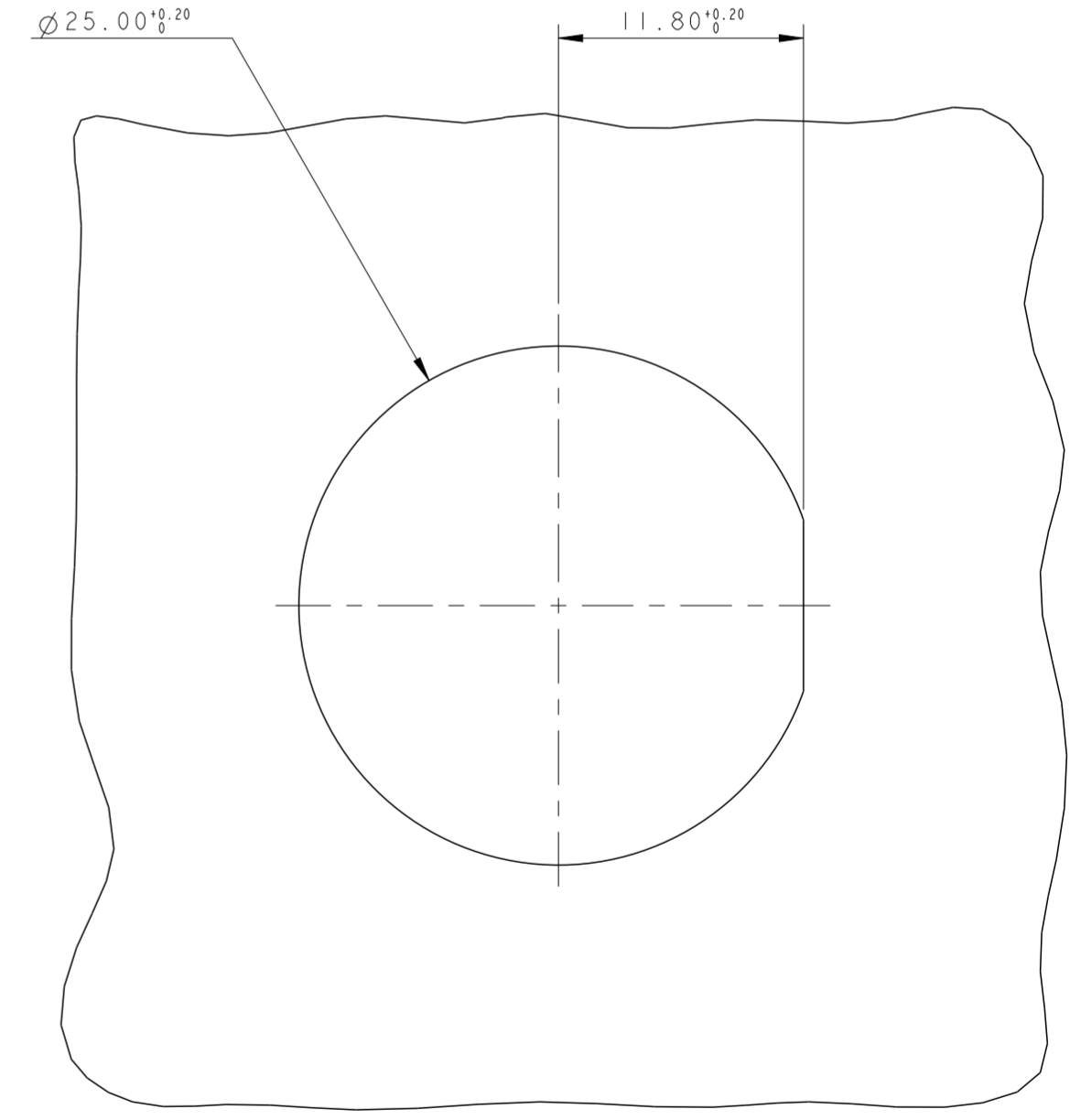
THIS DRAWING IS UNPUBLISHED. RELEASED FOR PUBLICATION 2011
 © COPYRIGHT 2011 BY - ALL RIGHTS RESERVED.

LOC		DIST		REVISIONS			
P	LTR	DESCRIPTION	DATE	DWN	APVD		
-	-	SEE SHEET 1	-	-	-		

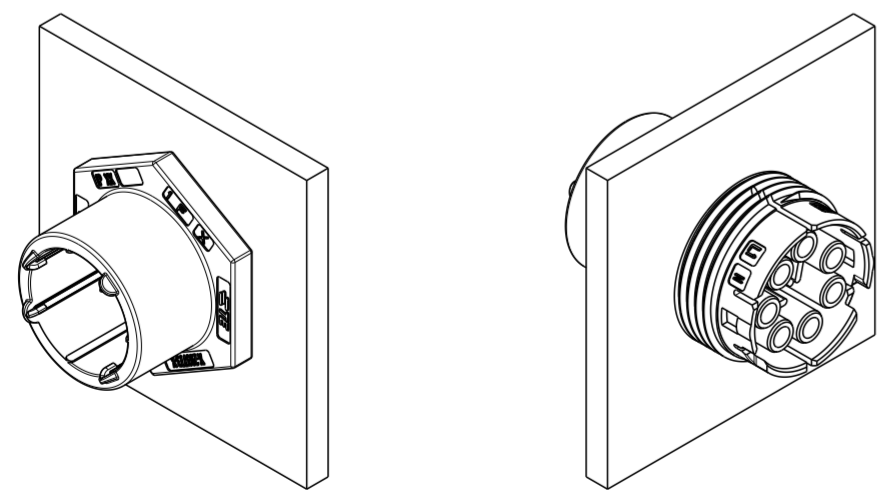
PN 293773-3 AS SHOWN




PANEL/WALL SUGGESTED LAYOUT



3D VIEWS,
FOR REFERENCE ONLY
PN 293773-3 AS SHOWN



THIS DRAWING IS A CONTROLLED DOCUMENT.		DWN A. BERNARDI 31MAR2011	 TE Connectivity	
DIMENSIONS: mm		CHK M. ZUCCA 31MAR2011		
TOLERANCES UNLESS OTHERWISE SPECIFIED:		APVD G. TURCO 31MAR2011	NAME SKT HOUSING 7 POLES PANEL MOUNT NECTOR M-LINE UNSEALED VERSION	
0 PLC ±-	1 PLC ±0.3	PRODUCT SPEC	SIZE	CAGE CODE
2 PLC ±0.20	3 PLC ±-	APPLICATION SPEC	A200779	C-293773
4 PLC ±-	ANGLES ±3°	WEIGHT	SCALE	SHEET
FINISH		Customer Drawing	3:1	3 OF 3
NOTE 1				REV B