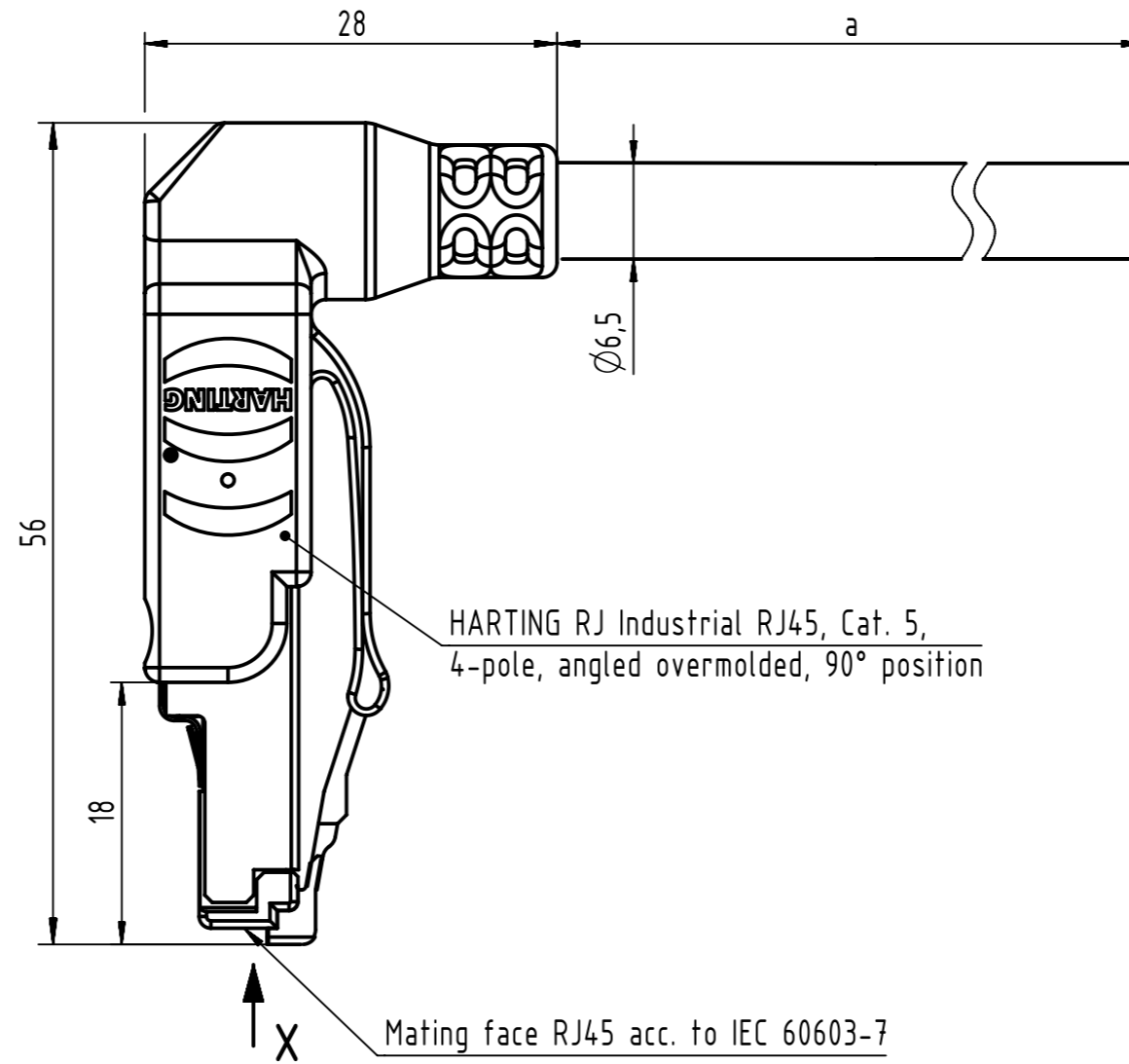
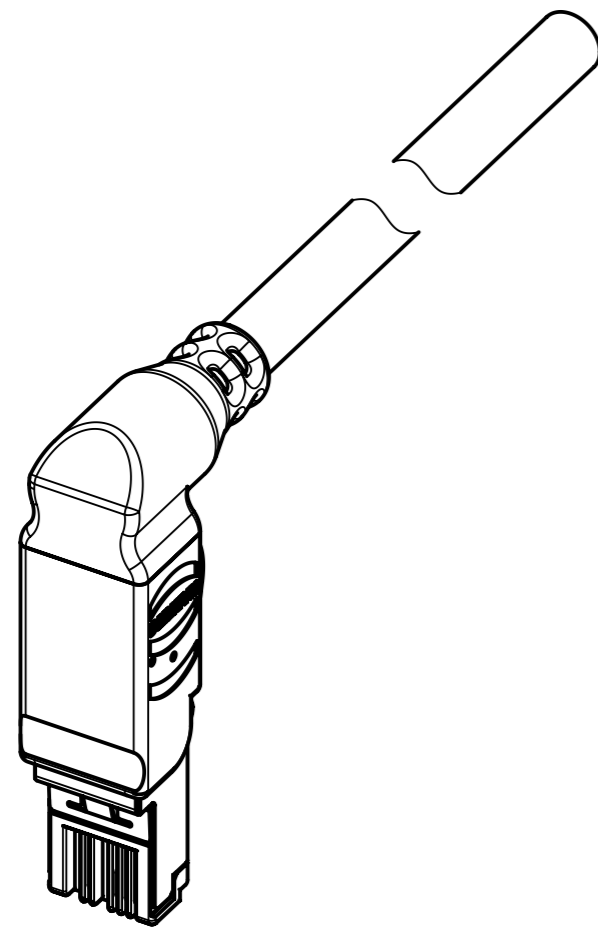
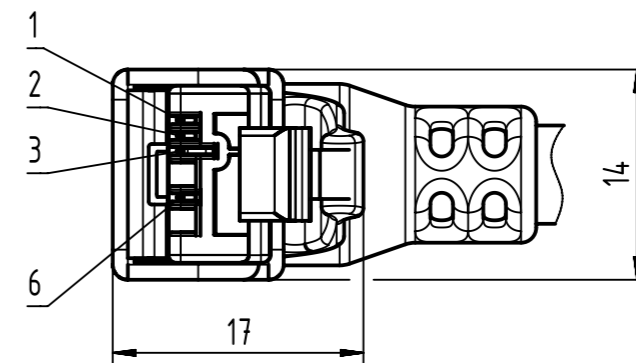


Connector Location A

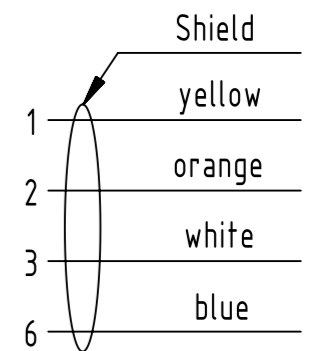
Connector Location B



X
male



Loading-Plan



- Protection level: IP20
- Temperature range: -40°C ... +70°C

	All rights reserved Department HCS - RO		Created by STOCHECIC Stocheci		Inspected by COSTEA Costea		Standardisation MUNTEANV Muntean		Date 2018-05-17		State Final Release	
	HARTING Customised Solutions D-32339 Espelkamp			Title RJ Industrial Cable Assembly			Doc-Key / ECM-Nr. 100155463/UGD/013/C 500000135295			Rev. C		Page 1/2

Cont. no.	Part no.	Type of cable	Dim. a[m]
45	09470400044	RJl Ethernet stranded cable, 4xAWG22/7, PVC, Cat. 5+, green	100
44	09470400043		90
43	09470400042		80
42	09470400041		70
41	09470400040		60
40	09470400039		50
39	09470400038		40
38	09470400037		30
37	09470400036		20
36	09470400035		15
35	09470400134		12
34	09470400034		10
33	09470400033		9
32	09470400032		8
31	09470400031		7
30	09470400030		6
29	09470400029		5
28	09470400028		4
27	09470400027		3
26	09470400026		2
25	09470400025		1.5
24	09470400024		1
23	09470400023		0.5
22	09470400022	RJl Ethernet standard cable, AWG22/1, 2x2x0.64, PVC, Cat. 5+, green	100
21	09470400021		90
20	09470400020		80
19	09470400019		70
18	09470400018		60
17	09470400017		50
16	09470400016		40
15	09470400015		30
14	09470400014		20
13	09470400013		15
12	09470400012		10
11	09470400011		9
10	09470400010		8
9	09470400009		7
8	09470400008		6
7	09470400007		5
6	09470400006		4
5	09470400005	3	
4	09470400004	2	
3	09470400003	1.5	
2	09470400002	1	
1	09470400001	0.5	

Cont. no.	Part no.	Type of cable	Dim. a[m]	
90	09470400088	RJl Ethernet stranded cable, AWG 22/7, 2x2x0.75, outdoor, PVC, Cat. 5+, black	100	
89	09470400087		90	
88	09470400086		80	
87	09470400085		70	
86	09470400084		60	
85	09470400083		50	
84	09470400082		40	
83	09470400081		30	
82	09470400080		20	
81	09470400079		15	
80	09470400078		10	
79	09470400077		9	
78	09470400076		8	
77	09470400075		7	
76	09470400074		6	
75	09470400073		5	
74	09470400072		4	
73	09470400071		3	
72	09470400070		2	
71	09470400069		1.5	
70	09470400068		1	
69	09470400067		0.5	
68	09470400066		RJl Ethernet trailing cable, AWG22/7, 2x2x0.75, PUR, Cat. 5+, green	100
67	09470400065			90
66	09470400064			80
65	09470400063			70
64	09470400062			60
63	09470400061			50
62	09470400060			40
61	09470400059			30
60	09470400058			20
59	09470400057			15
58	09470400056			10
57	09470400055			9
56	09470400054			8
55	09470400053			7
54	09470400052			6
53	09470400051			5
52	09470400050			4
51	09470400049			3
50	09470400048			2
49	09470400047			1.5
48	09470400046			1
47	09470400045			0.5
46	09470400145	0.3		

	All Dimensions in mm Original Size DIN A3	Scale 1:1	Free size tol.	Ref. Sub.
	All rights reserved Department HCS - RO	Created by STOCHECIC Stochechi	Inspected by COSTEA Costea	Standardisation MUNTEANV Muntean
Date 2018-05-17		State Final Release		Doc-Key / ECM-Nr. 100155463/UGD/013/C 500000135295
HARTING Customised Solutions D-32339 Espelkamp		Title RJ Industrial Cable Assembly	Type TB	Number 09470400XXX
Rev. C				Page 2/2

Mouser Electronics

Authorized Distributor

Click to View Pricing, Inventory, Delivery & Lifecycle Information:

HARTING:

[09470400025](#) [09470400026](#) [09470400027](#) [09470400029](#) [09470400045](#) [09470400047](#) [09470400048](#)
[09470400049](#) [09470400051](#) [09470400023](#) [09470400024](#) [09470400046](#) [09470400056](#) [09470400134](#) [09470400003](#)
[09470400067](#) [09470400002](#) [09470400058](#) [09470400001](#) [09470400007](#) [09470400034](#)