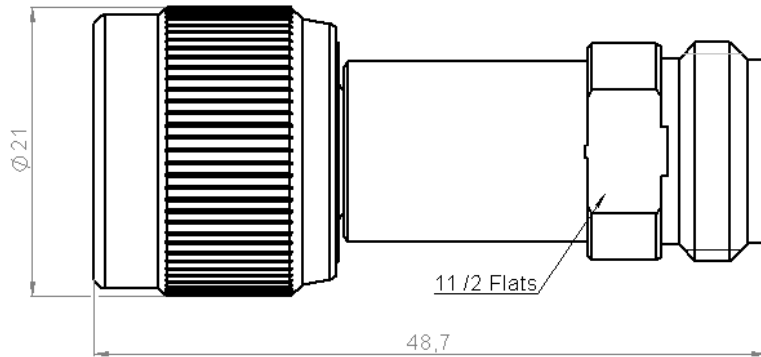


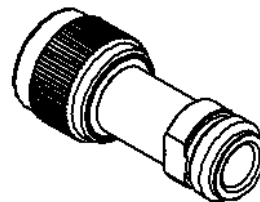
N ATTENUATOR
12 DB 12.4 GHZ 2W

R414.712.000

Series : ATTENUATOR



SCALE 1/1



All dimensions are in mm.

| COMPONENTS | MATERIALS | PLATING(μm) |
|-----------------------|---------------------|--------------------------|
| BODY | LAITON | NICKEL 5 |
| MALE CENTER CONTACT | CUPRO BERYLLIUM | OR 2.5 SUR NICKEL 1 |
| FEMALE CENTER CONTACT | CUPRO BERYLLIUM | OR 2.5 SUR NICKEL 1 |
| OUTER CONTACT | | |
| INSULATOR | PTFE | |
| GASKET | ELASTOMERE SILICONE | |
| SUBSTRATE | ALUMINE | |
| RESISTOR | Couche mince | |
| OTHERS PARTS | | |

Issue : 0823 C

In the effort to improve our products, we reserve the right to make changes judged to be necessary.

N ATTENUATOR
12 DB 12.4 GHZ 2W

R414.712.000
Series : ATTENUATOR

ELECTRICAL CHARACTERISTICS

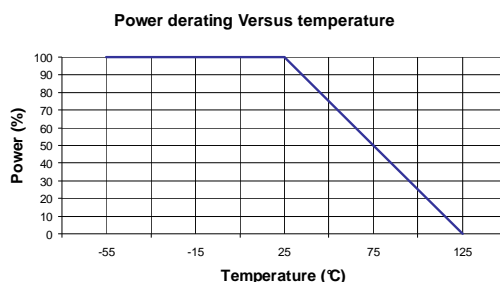
| | | | | |
|------------------------------|-----------|-------|----------|--|
| Frequency (GHz) | DC - 4 | 4 - 8 | 8 - 12.4 | |
| V.S.W.R (≤) | 1.15 | 1.20 | 1.25 | |
| Deviation(±dB) | 0.30 | 0.50 | 0.70 | |
| Operating Frequency Range | DC - 12.4 | | | GHz |
| Impedance | 50 | | | Ω |
| Nominal Attenuation | 12 | | | dB |
| Peak power at 25°C (1μs, 1%) | 100 | | | W |
| Average power at 25°C | 2 | | | W (Free Air Cooled) W (Conduction Cooled) |

MECHANICAL CHARACTERISTICS

| | | | |
|------------|---------|-------------|-------------|
| Connectors | N | Male Female | MIL-C 39012 |
| Weight | 59,6200 | g | |

ENVIRONMENTAL CHARACTERISTICS

| | |
|-----------------------------|--------------|
| Operating temperature range | -55 /+125 °C |
| Storage temperature range | -55 /+125 °C |



SPECIFICATION

OTHER CHARACTERISTICS

Issue : 0823 C

In the effort to improve our products, we reserve the right to make changes judged to be necessary.