

THIS DRAWING IS UNPUBLISHED.

RELEASED FOR PUBLICATION

2008

© COPYRIGHT 2008 BY -

ALL RIGHTS RESERVED.

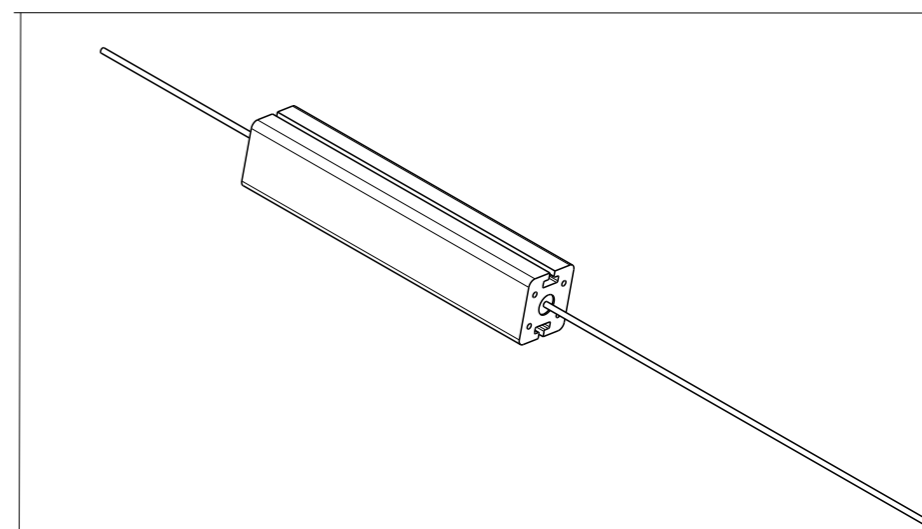
REVISIONS

P	LTR	DESCRIPTION	DATE	DWN	APVD
	BA1	ECR-17-011125	01AUG2017	RK	TN

FOR FURTHER INFORMATION SEE DATA SHEET FOR SERIES TYPE SBC(SQUARE CERAMIC), HIGH POWER RESISTORS



RoHS Compliant



THIS DRAWING IS A CONTROLLED DOCUMENT.

DIMENSIONS:	TOLERANCES UNLESS OTHERWISE SPECIFIED:
mm	
	0 PLC ± 0.2
	1 PLC ± 0.1
	2 PLC \pm
	3 PLC \pm
	4 PLC \pm
	ANGLES $\pm 5^\circ$
MATERIAL	FINISH
-	-
-	-

DWN	28 JULY 2010
CHK	28 JULY 2010
APVD	28 JULY 2010
NAME	STEPHEN.P
PRODUCT SPEC	STEPHEN.P
APPLICATION SPEC	-
WEIGHT	10g
CUSTOMER DRAWING	

TE Connectivity		NAME		RESTRICTED TO
		HIGH POWER RESISTOR TYPE SBC (SQUARE CERAMIC) SERIES SBCHE11		
SIZE	CAGE CODE	DRAWING NO		
A3	00779	C-1623728		
SCALE	SHEET	OF	REV	
4:1	1	1	BA1	