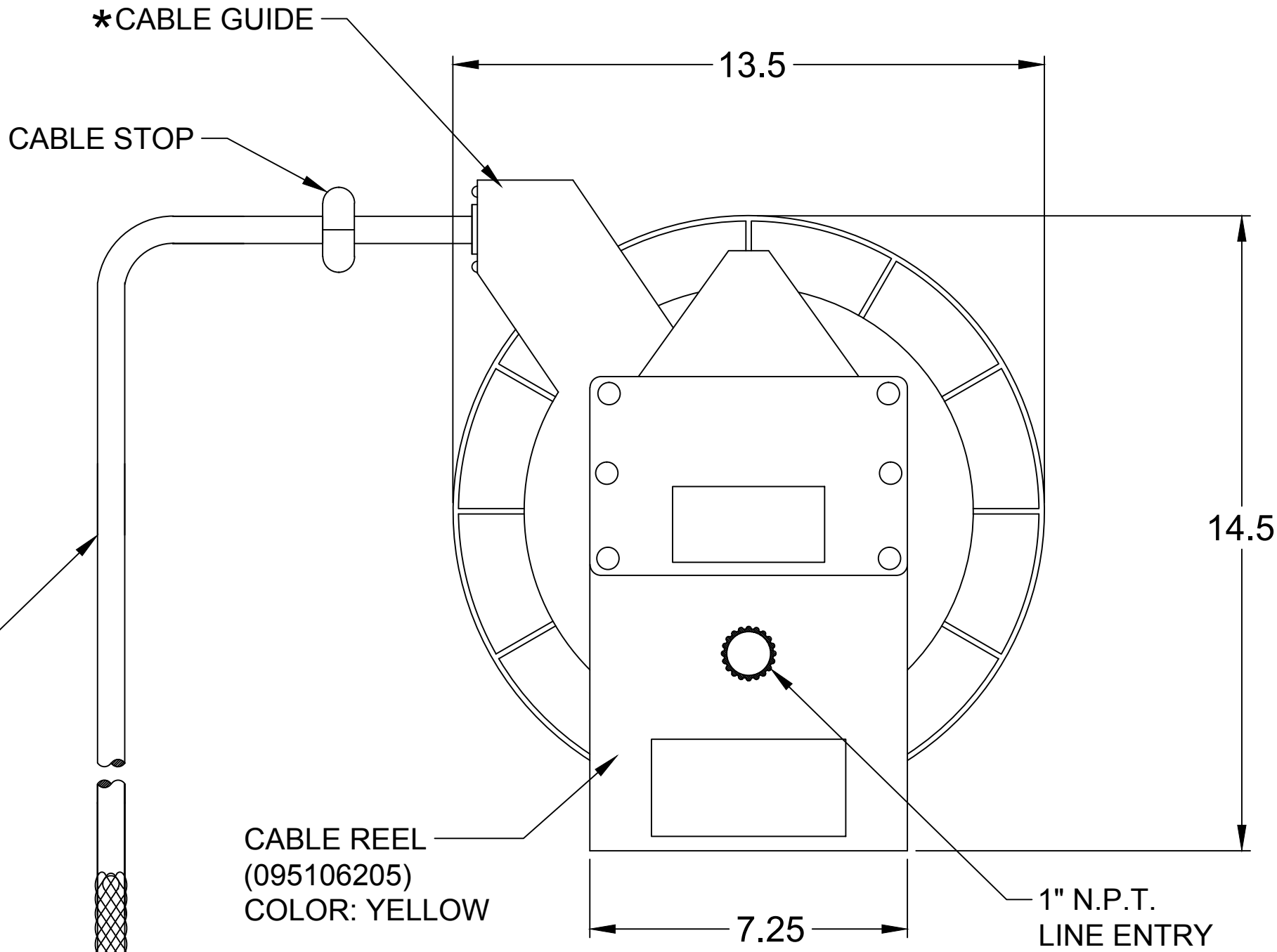


WIRE TERMINATION IN JUNCTION BOX

| NUMBER | WIRE | COLOR |
|--------|-----------|--------|
| 1 | HOT-1 | BLACK |
| 2 | NEUTRAL-1 | WHITE |
| 3 | HOT-2 | RED |
| 4 | GROUND | GREEN |
| 5 | NEUTRAL-2 | ORANGE |

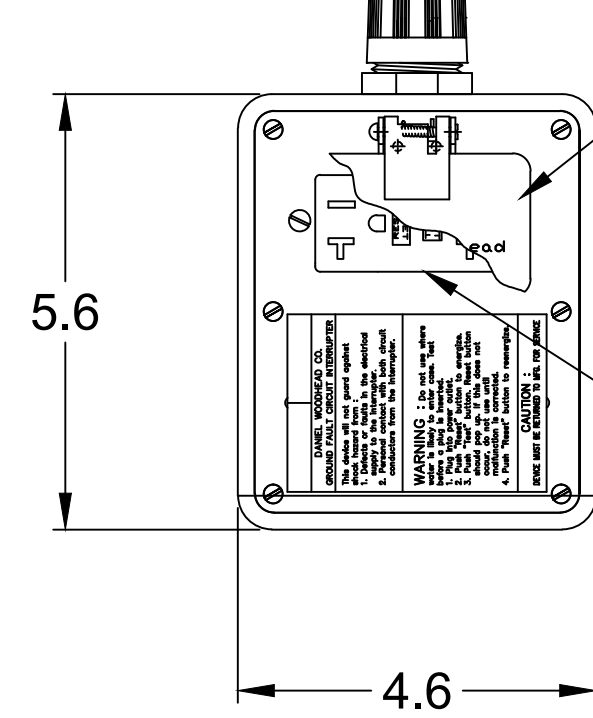


25 FT. #12-5 BLACK SOOW

WIRE MESH STRAIN RELIEF WOODHEAD PART# 5645M

CABLE REEL (095106205) COLOR: YELLOW

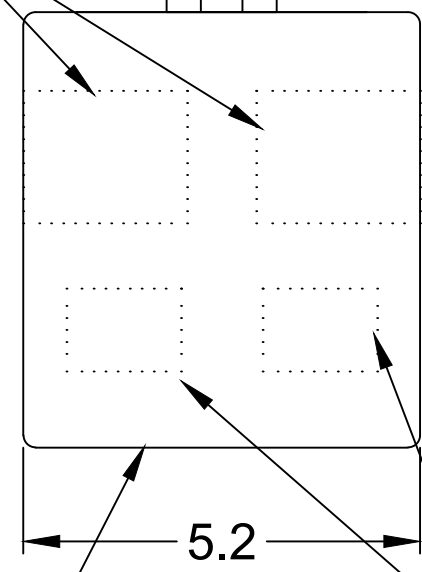
1" N.P.T. LINE ENTRY



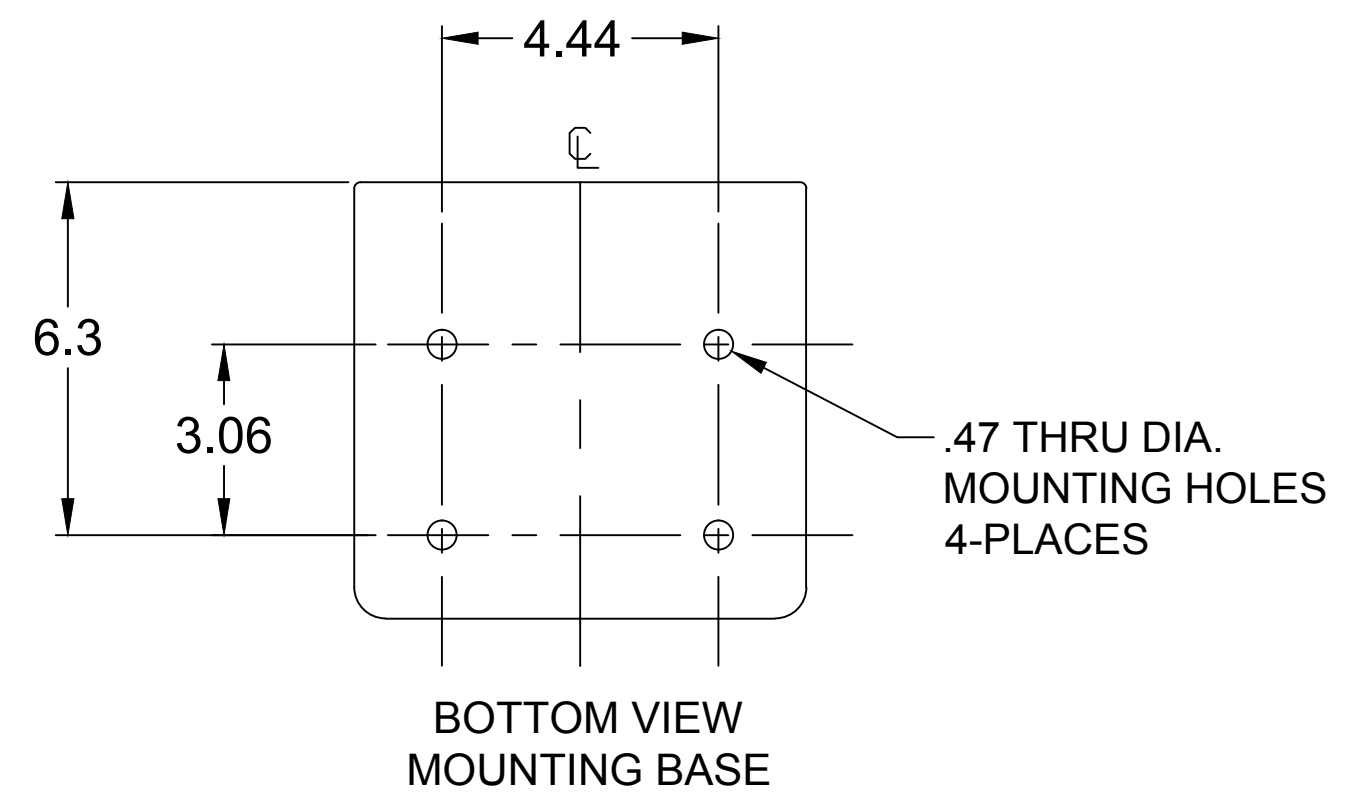
FLIP LID FOR RECEPTACLE

DUPLEX GFCI RECEPTACLE 15A/125V WITH OPEN OPEN NEUTRAL RELAY PROTECTION (BOTH SIDES)

DUPLEX GFCI RECEPTACLE



RUBBER OUTLET BOX COLOR: YELLOW



.47 THRU DIA. MOUNTING HOLES 4-PLACES

BOTTOM VIEW MOUNTING BASE

OPEN NEUTRAL RELAY PROTECTION

* CABLE GUIDE IS ADJUSTABLE EVERY 5 DEGREES OVER 270 DEGREE ARC.

- NOTES:
1. EACH DUPLEX GFCI WIRED WITH AN INDIVIDUAL HOT, INDIVIDUAL NEUTRAL AND COMMON GROUND.
 2. ELECTRICAL RATING: 14A, 125V

| | | | | | | | | | |
|--|----------------|--|-------|----------------------|----------------------|-------------------------|---|----------------------------|--|
| RELEASE SALES DWG EC NO: IPG2015-1853 DRWN: HRUIZ01 2015/04/22 CHKD: HKNEELAN 2015/04/22 APPR: JFMURPHY 2015/10/23 | QUALITY SYMBOL | GENERAL TOLERANCES (UNLESS SPECIFIED) | | DIMENSION STYLE INCH | | SCALE NTS | DESIGN UNITS INCH | THIRD ANGLE PROJECTION | |
| | ▽=0 | 4 PLACES | ±--- | ±--- | DRAWN BY HRUIZ01 | DATE 2015/04/22 | TITLE | | |
| | ∇=0 | 3 PLACES | ±--- | ±.005 | CHECKED BY HKNEELAN | DATE 2015/04/22 | 095106205 CABLE REEL 25' OF #12-5 SOOW CABLE (2) 15A/125V DUPLEX GFCI | | |
| | | 2 PLACES | ±--- | ±.010 | APPROVED BY JFMURPHY | DATE 2015/10/23 | | | |
| | 1 PLACE | ±--- | ±.020 | ANGULAR ±1/2° | | MATERIAL NO. 1300830925 | | DOCUMENT NO. SD-130083-052 | |
| | | DRAFT WHERE APPLICABLE MUST REMAIN WITHIN DIMENSIONS | | | SIZE C | | THIS DRAWING CONTAINS INFORMATION THAT IS PROPRIETARY TO MOLEX INCORPORATED AND SHOULD NOT BE USED WITHOUT WRITTEN PERMISSION | | |
| | | | | | | | SHEET NO. 1 OF 1 | | |