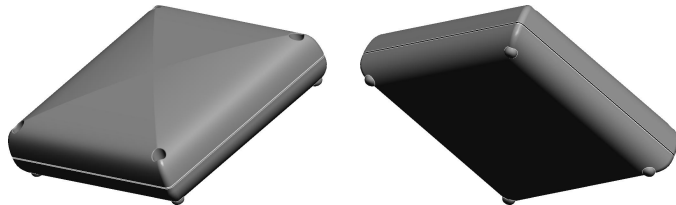


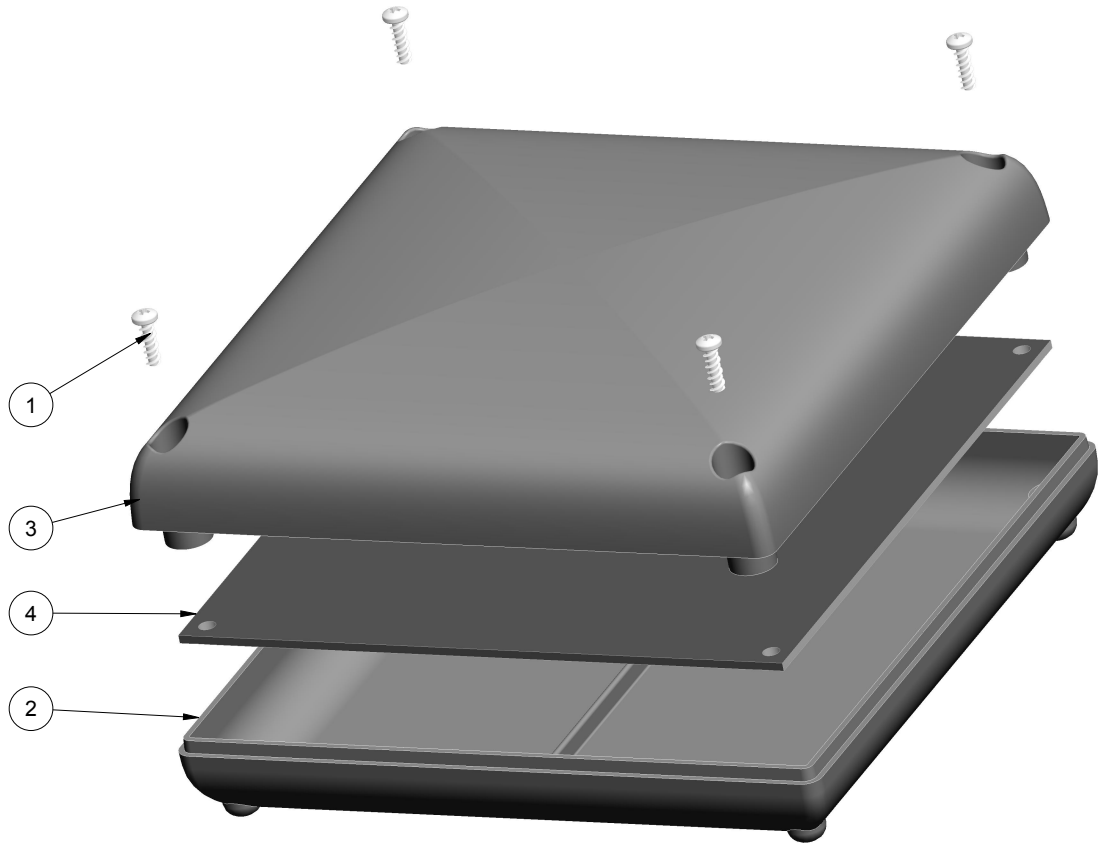
NOTES: UNLESS OTHERWISE SPECIFIED

1. CORNERS DRAWN SHARP TO BE R.005 MAXIMUM.
2. EXTERIOR SURFACE TEXTURE TO BE EQUIVALENT TO MT-11007. TEXTURE ON ENCLOSURE WILL VARY FROM TIME TO TIME AS THE TOOL WEARS AND IT BECOMES NECESSARY TO REAPPLY.
3. INTERIOR SURFACE TEXTURE TO BE: NONE.
4. ALL INSIDE RADII .010R. UNLESS OTHERWISE SPECIFIED.
5. ALL EXTERNAL DIMENSIONS AFFECTED BY THE DRAFT APPLY AT THE LARGE END OF THE FEATURE, AND ALL INTERNAL FEATURES AFFECTED BY THE DRAFT APPLY AT THE SMALL END OF THE FEATURE UNLESS OTHERWISE SPECIFIED.
6. 1 DEGREE DRAFT IN THE DIRECTION OF PULL IS PERMISSIBLE UNLESS OTHERWISE SPECIFIED.
7. MATERIAL / COLOR: ABS PLASTIC IS STANDARD IN BLACK OR WHITE. CUSTOM MATERIALS AND COLORS ARE AVAILABLE UPON REQUEST FOR QUOTE. ALTERNATE RESINS HAVE DIFFERENT SHRINK RATES, AND WILL EFFECT DIMENSIONS.
8. PCB SIZES ARE RECOMMENDATIONS ONLY. FINAL SIZES AND VERIFICATION OF ITS FIT ARE THE SOLE RESPONSIBILITY OF EACH CUSTOMER.
9. ASSEMBLY SCREWS FOR THE ENCLOSURE INCLUDED.
10. THIS DRAWING IS BASED ON A SOLID MODEL, AND IS FURTHER DEFINED BY THE SOLID MODEL FILE.
11. ALLOWABLE FLASH: 0.005 MAX.
12. ALL EJECTOR PIN MARKS TO BE WITHIN 0.010" OF FLUSH, PROTRUDING OR BELOW FLUSH.
14. TRIM GATE WITHIN 0.030" OF FLUSH.



SCALE 0.250

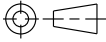
| R E V I S I O N | | | | | |
|-----------------|----------|--------|-------------------------------|-------------|----------|
| REV. | DRAWN BY | ECO No | DESCRIPTION | DATE | APPROVED |
| A | M BOYER | | PRELIMINARY RELEASE | 2015-Feb-12 | J.T. |
| B | M BOYER | | REVISE PROJECT NAME AND NOTES | 2015-Feb-25 | |
| | | | | | |



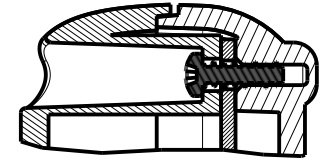
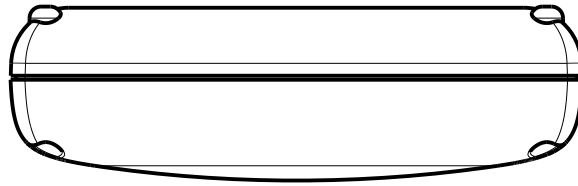
SCALE 0.750

| ITEM | FILE NAME | DESCRIPTION | MATERIAL | COLOR | QTY. |
|------|--------------------|-------------------------|-------------|-------------------|------|
| 4 | 505015_PCB | 505015 PCB - REFERENCE | .062" THICK | CUSTOMER SUPPLIED | 1 |
| 3 | 505015_COVER | 505015 COVER - STANDARD | ABS | BLACK or WHITE | 1 |
| 2 | 505015_BASE | 505015 BASE - STANDARD | ABS | BLACK or WHITE | 1 |
| 1 | SCREW_HILO-N04X375 | #4 HiLo x .375" SCREW | ZINK PLATED | .375" LONG | 4 |

BILL OF MATERIALS

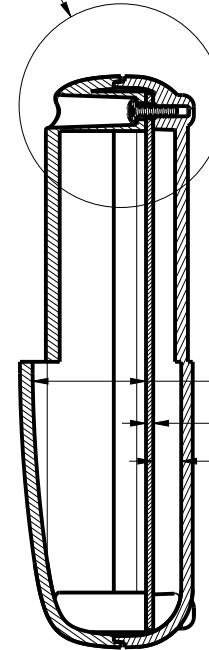
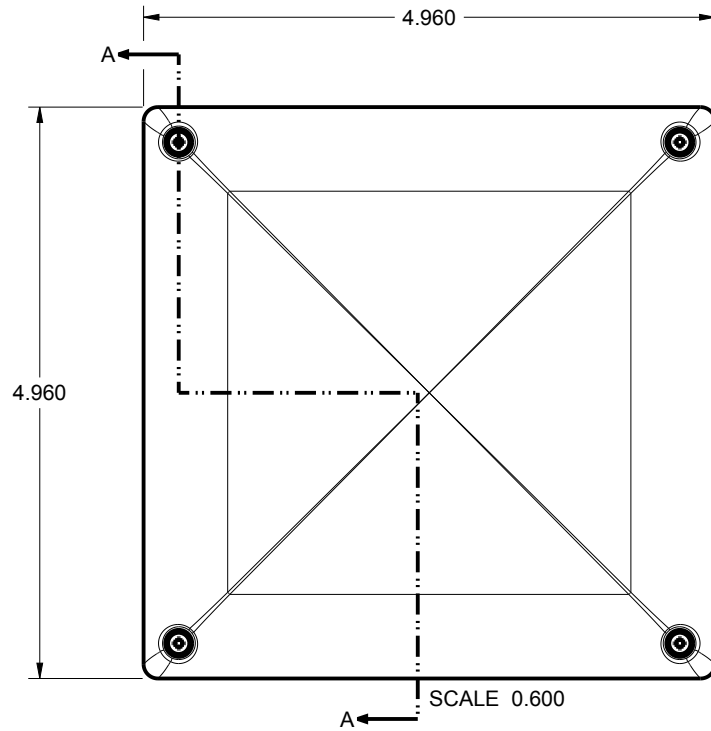
| | | | | | | | |
|--|--|---|--|---|----------------------------------|------------------------|---------------------|
| THIRD ANGLE PROJECTION  DO NOT SCALE DRAWING | | TOLERANCES: UNLESS OTHERWISE SPECIFIED DIMENSIONS ARE IN U.S. INCHES. X.XX = .015 X.XXXX = .001 X.XXX = .010 X.X" = 1° | | NEW AGE ENCLOSURES 4330 Santa Fe Road San Luis Obispo, CA. 93401 ph. (805) 595-1310 fax (805) 595-1024 www.newageenclosures.com | | | |
| NEW AGE ENCLOSURES Customer's Part No: 505015 | | APPROVAL BY DATE CHECK _____ ENG. _____ SCALE AS NOTED | | | | | |
| DRAWN BY M BOYER | | DATE 2015-Feb-12 | | SIZE A | DRAWING NAME 505015_RB | SHEET 1 OF 6 | REV.DOC B |

505015 ASSEMBLY

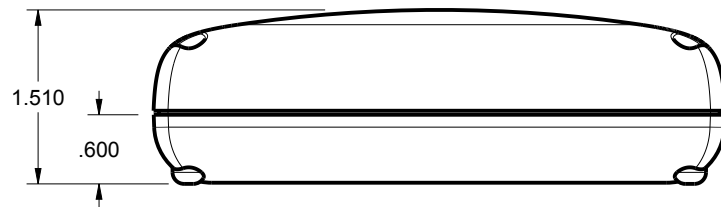
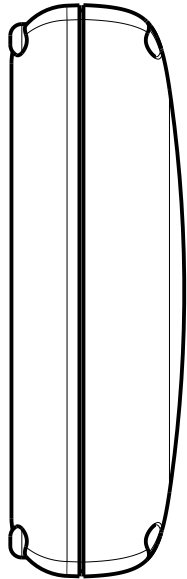
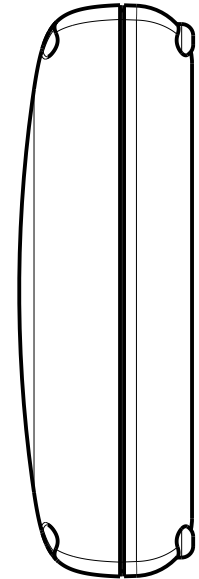


DETAIL B
SCALE 1.200

SEE DETAIL B



SECTION A-A



TOLERANCES: UNLESS OTHERWISE SPECIFIED
DIMENSIONS ARE IN U.S. INCHES.
X.XX = .015 X.XXXX = .001
X.XXX = .010 X.X° = 1°

NEW AGE ENCLOSURES

Customer's Part No: 505015

| | | |
|----------|----------|------|
| APPROVAL | BY | DATE |
| CHECK | | |
| ENG. | | |
| SCALE | AS NOTED | |

DRAWN BY
M BOYER

2015-Feb-12

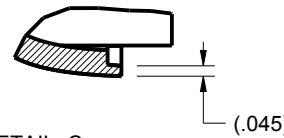
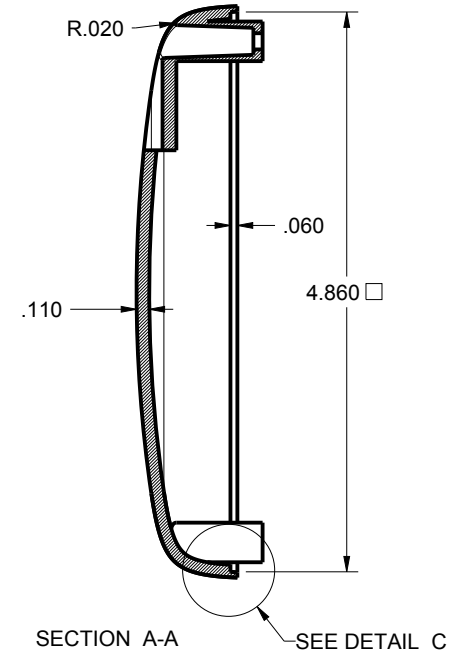
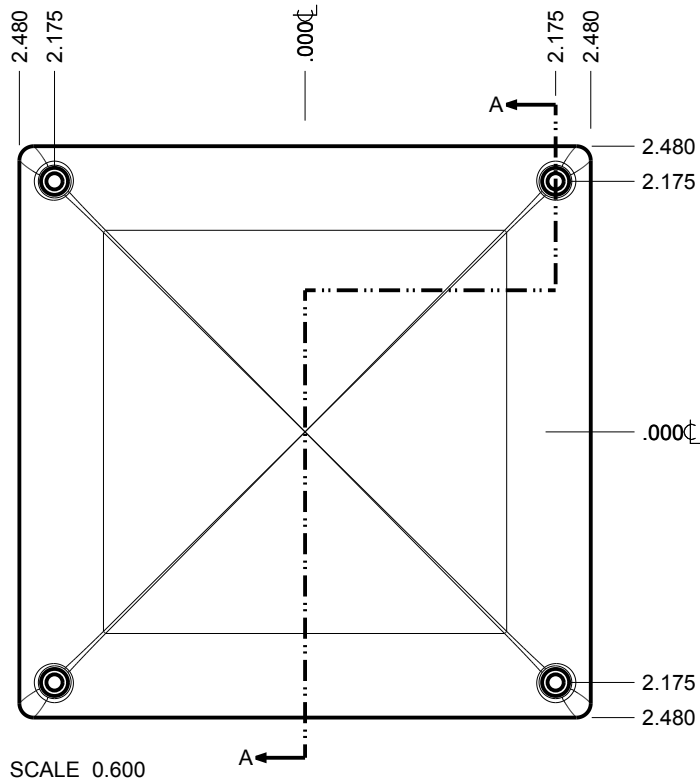
NEW AGE ENCLOSURES

4330 Santa Fe Road San Luis Obispo, CA. 93401
ph. (805) 595-1310 fax (805) 595-1024
www.newageenclosures.com

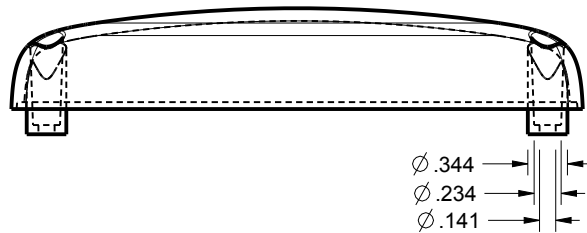
**TABLE TOP - STANDARD
SXX-505015-XXX**

| | | | |
|-----------|---------------------------|-----------------|--------------|
| SIZE A | DRAWING NAME 505015_RB | SHEET 2 OF 6 | REV.DOC B |
|-----------|---------------------------|-----------------|--------------|

505015 COVER



DETAIL C
SCALE 1.200



TOLERANCES: UNLESS OTHERWISE SPECIFIED
DIMENSIONS ARE IN U.S. INCHES.
X.XX = .015 X.XXXX = .001
X.XXX = .010 X.X° = 1°

NEW AGE ENCLOSURES
Customer's Part No: 505015

APPROVAL BY DATE

CHECK

ENG.

SCALE AS NOTED

DRAWN BY M BOYER 2015-Feb-12

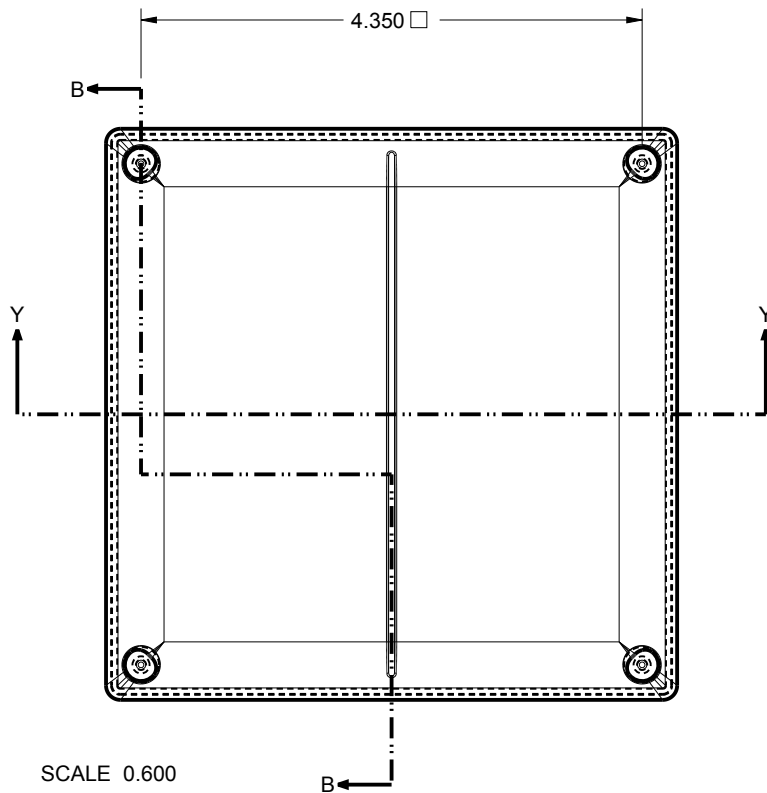
NEW AGE ENCLOSURES

4330 Santa Fe Road San Luis Obispo, CA. 93401
ph. (805) 595-1310 fax (805) 595-1024
www.newageenclosures.com

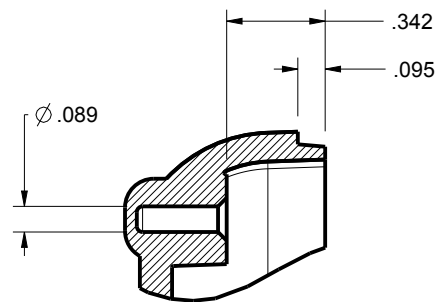
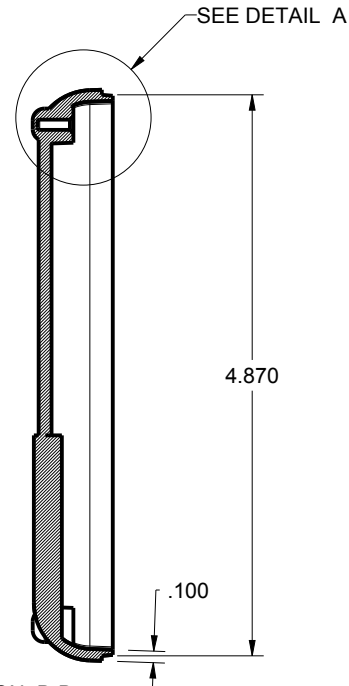
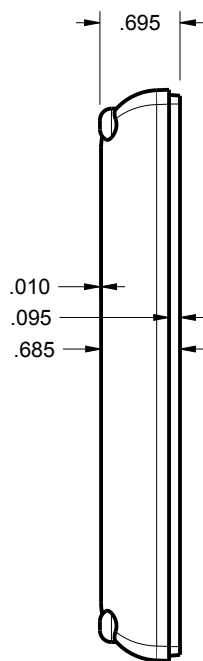
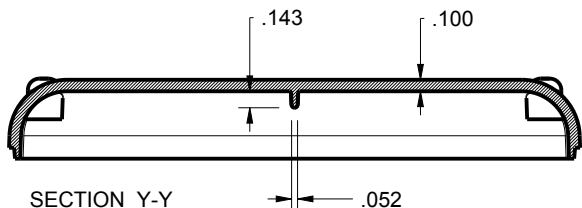
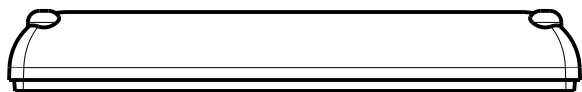
TABLE TOP - STANDARD
SXX-505015-XXX

SIZE A DRAWING NAME 505015_RB SHEET 3 OF 6 REV.DOC B

505015 BASE



SCALE 0.600



DETAIL A
SCALE 1.500

TOLERANCES: UNLESS OTHERWISE SPECIFIED
DIMENSIONS ARE IN U.S. INCHES.
X.XX = .015 X.XXXX = .001
X.XXX = .010 X.X° = 1°

NEW AGE ENCLOSURES
Customer's Part No: 505015

| | | |
|----------|-------------|------|
| APPROVAL | BY | DATE |
| CHECK | | |
| ENG. | | |
| SCALE | AS NOTED | |
| DRAWN BY | M BOYER | |
| | 2015-Feb-12 | |

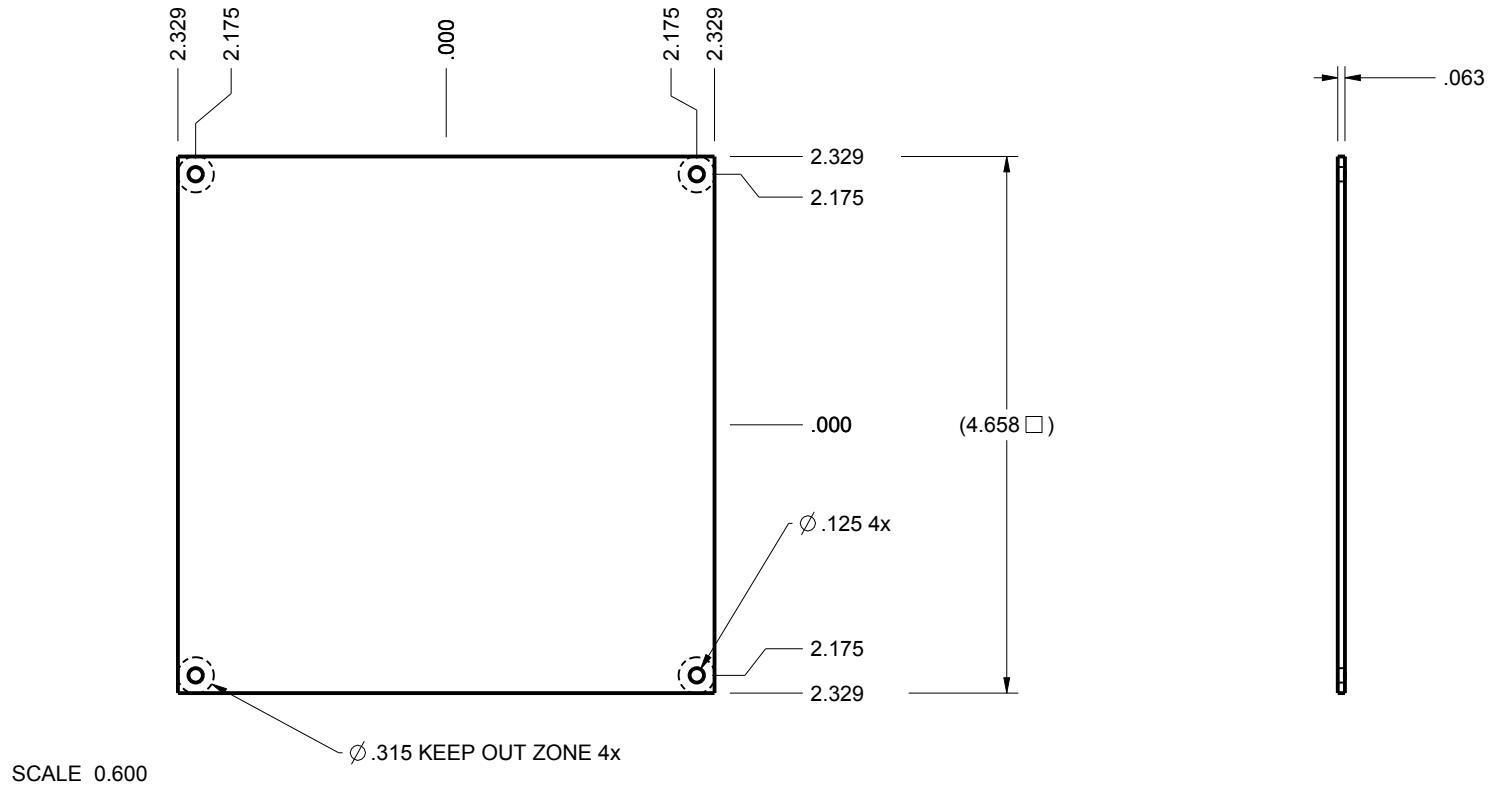
NEW AGE ENCLOSURES
 4330 Santa Fe Road San Luis Obispo, CA. 93401
 ph. (805) 595-1310 fax (805) 595-1024
www.newageenclosures.com

**TABLE TOP - STANDARD
SXX-505015-XXX**

| | | | |
|------|--------------|--------|---------|
| SIZE | DRAWING NAME | SHEET | REV.DOC |
| A | 505015_RB | 4 OF 6 | B |

505015 PCB - CUSTOMER SUPPLIED

PCB SIZES ARE RECOMMENDATIONS ONLY. FINAL SIZES AND VERIFICATION OF ITS FIT ARE THE SOLE RESPONSIBILITY OF THE OEM.



TOLERANCES: UNLESS OTHERWISE SPECIFIED
DIMENSIONS ARE IN U.S. INCHES.
X.XX = .015 X.XXXX = .001
X.XXX = .010 X.X° = 1°

NEW AGE ENCLOSURES

Customer's Part No: 505015

| | | |
|----------|----------|------|
| APPROVAL | BY | DATE |
| CHECK | | |
| ENG. | | |
| SCALE | AS NOTED | |

DRAWN BY
M BOYER 2015-Feb-12

NEW AGE ENCLOSURES

4330 Santa Fe Road San Luis Obispo, CA. 93401
ph. (805) 595-1310 fax (805) 595-1024
www.newageenclosures.com

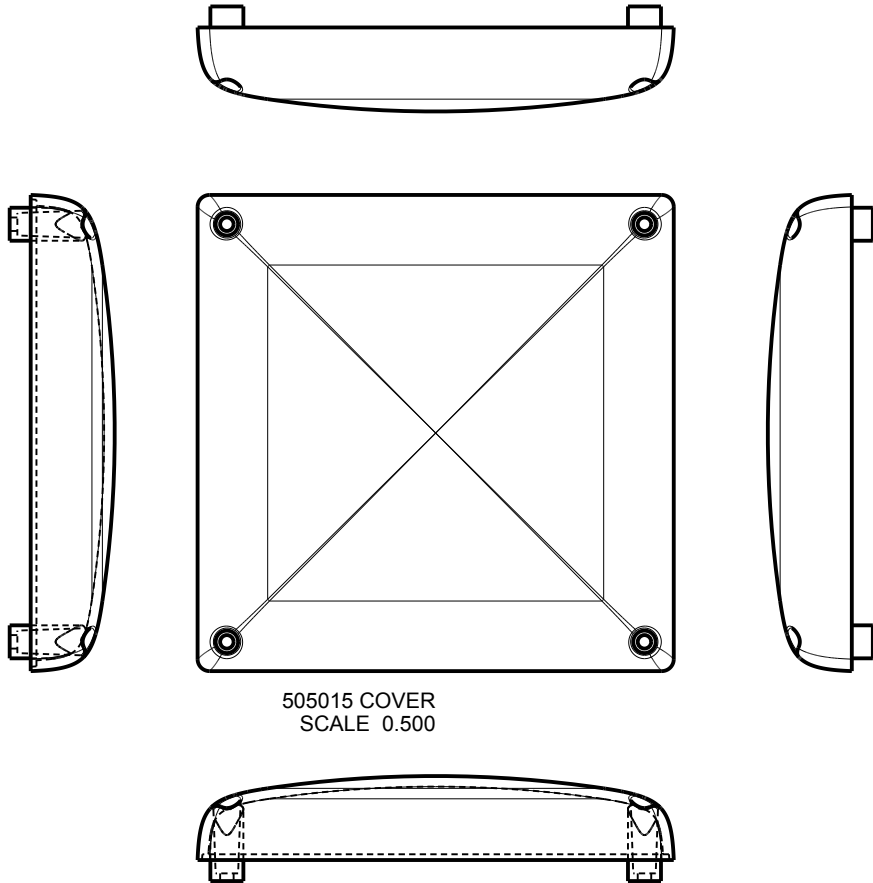
TABLE TOP - STANDARD
SXX-505015-XXX

SIZE A DRAWING NAME 505015_RB

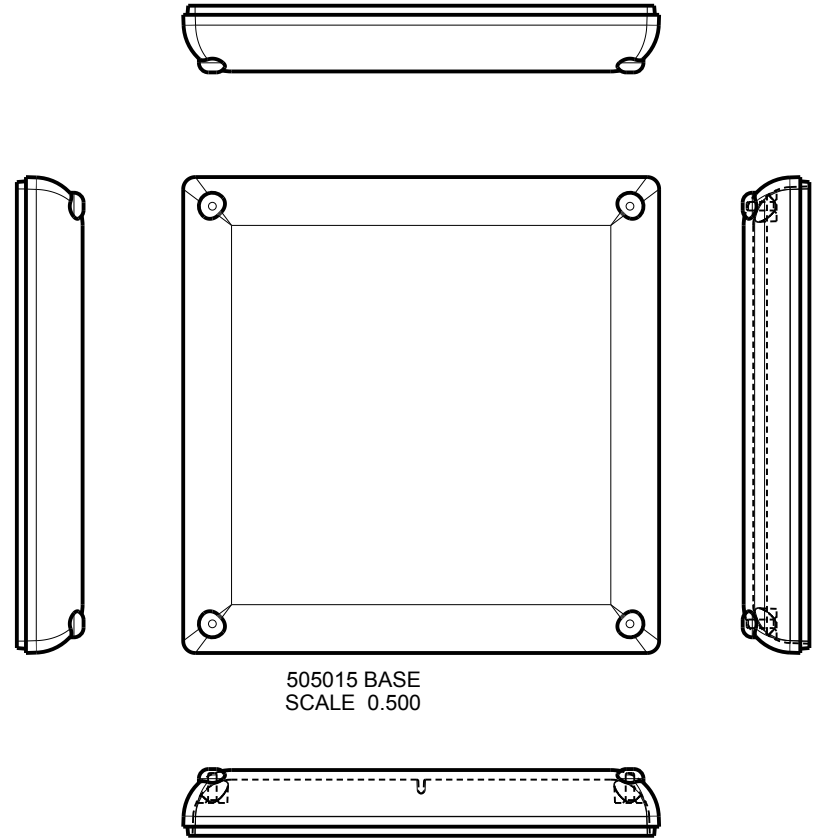
SHEET 5 OF 6 REV.DOC B

505015 - 2nd OPERATION DETAILS

NEW AGE ENCLOSURES DELIVERS YOUR ENCLOSURE MARKET-READY WITH IN-HOUSE
CNC MACHINING, PAD PRINTING, ASSEMBLY, AND FULFILLEMENT.
ALL SURFACES AND AREAS ARE AVAILABLE FOR CNC ALTERATION BY NEW AGE ENCLOSURES
CALL (805) 595-1310 FOR PRICING AND SCHEDULE.
THE INSIDE RADIUS OF ANY MACHINED FEATURES SHOULD BE NO SMALLER THAN .031"



505015 COVER
SCALE 0.500



505015 BASE
SCALE 0.500

TOLERANCES: UNLESS OTHERWISE SPECIFIED
DIMENSIONS ARE IN U.S. INCHES.
X.XX = .015 X.XXXX = .001
X.XXX = .010 X.X° = 1°

NEW AGE ENCLOSURES

Customer's Part No: 505015

| | | |
|----------|-------------|------|
| APPROVAL | BY | DATE |
| CHECK | | |
| ENG. | | |
| SCALE | AS NOTED | |
| DRAWN BY | 2015-Feb-12 | |
| M BOYER | | |

NEW AGE ENCLOSURES

4330 Santa Fe Road San Luis Obispo, CA. 93401
ph. (805) 595-1310 fax (805) 595-1024
www.newageenclosures.com

TABLE TOP - STANDARD
SXX-505015-XXX

| SXX-505015-XXX COVER - ABS, BLACK | | | | | |
|-----------------------------------|-------------|---------------|---------|-------------|---------|
| STEP NO | DESCRIPTION | CUTTER | FIXTURE | ORIENTATION | PROGRAM |
| 1-C-C1 | - | T2 = .062" EM | - | - | 01001 |
| 2-C-C2 | - | T2 = .062" EM | - | - | 01002 |

| | | | |
|------|--------------|--------|---------|
| SIZE | DRAWING NAME | SHEET | REV.DOC |
| A | 505015_RB | 6 OF 6 | B |