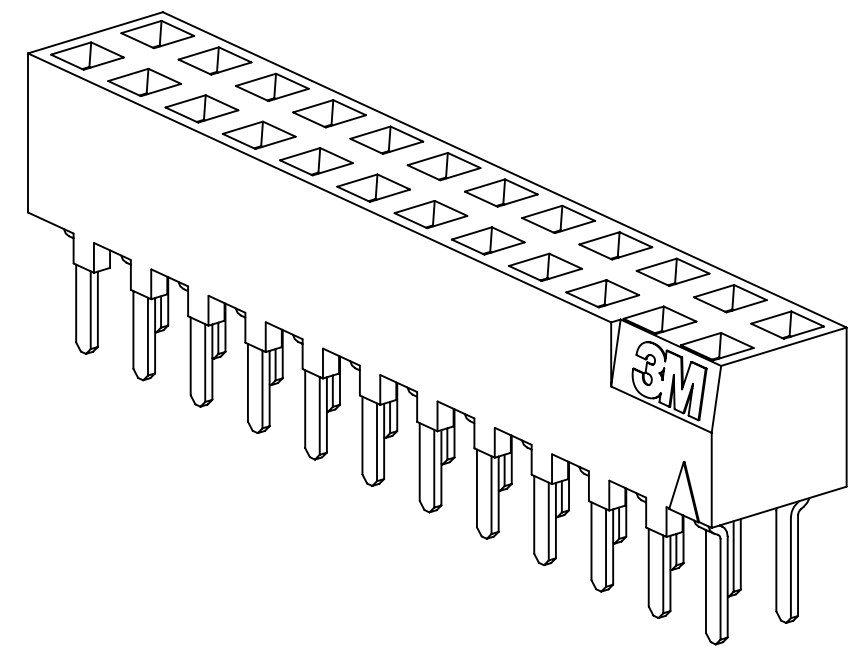
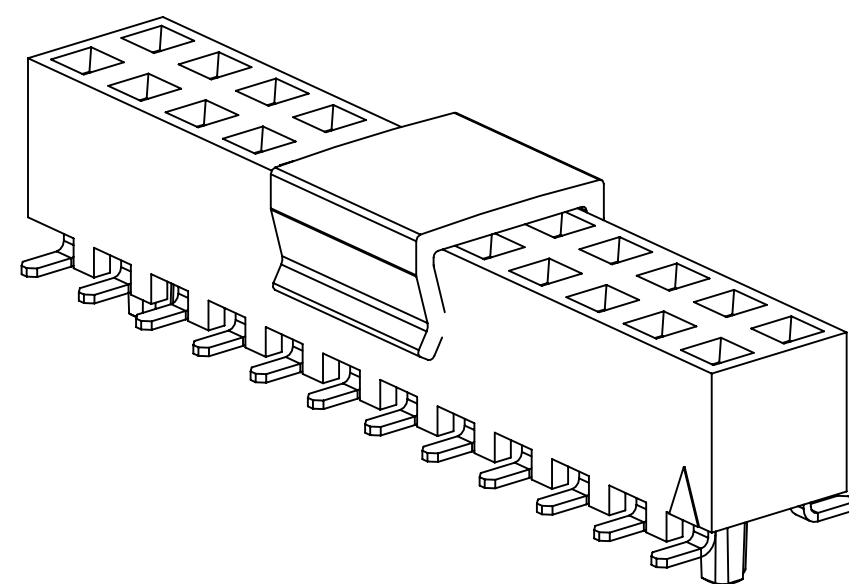


3M™ BOARDMOUNT SOCKET, 1502 SERIES
 2.00MM X 2.00MM STRAIGHT AND SURFACE MOUNT, PLATED THROUGH HOLE



STRAIGHT
VERSION



SURFACE MOUNT
VERSION

2 PHYSICAL :

INSULATOR: HIGH TEMP THERMOPLASTIC
 MATERIAL: HIGH TEMP THERMOPLASTIC
 CONTACT: COPPER ALLOY
 MATERIAL: COPPER ALLOY
 PLATING: NICKEL-OVERALL
 UNDER PLATING: 1.27-3.8µm (50-150µ") NICKEL-OVERALL
 WIPING AREA: .76µm (30µ") GOLD
 SOLDER TAILS: 5.1µm (200µ") MATTE TIN (RIA E1 & C1 APPLY)
 MARKING: ORIENTATION DELTA AND 3M LOGO (EXCEPT SURFACE MOUNT)

2 ELECTRICAL :

CURRENT RATING: 1A
 VOLTAGE RATING: 150V_{AC} PER EIA-364-20
 INSULATION RESISTANCE: >1 X 10⁹ OHM AT 250V_{DC}
 WITHSTANDING VOLTAGE: 500V_{DC} AT SEA LEVEL

2 ENVIRONMENTAL :

TEMPERATURE RATING: -55° C TO 105° C
 PROCESS RATING: MAX. 260° C (PER J-STD-020C)
 MOISTURE SENSITIVITY LEVEL: 1 (PER J-STD-020C)

- NOTES
- REGULATORY INFORMATION: ROHS COMPLIANT. SEE THE REGULATORY INFORMATION APPENDIX (RIA) IN THE "ROHS COMPLIANCE" SECTION OF WWW.3MCONNECTORS.COM FOR COMPLIANCE INFORMATION.
 - IN THE EVENT OF CONFLICT BETWEEN THIS DATA AND THAT CONTAINED IN THE PRODUCT SPECIFICATION, THE PRODUCT SPECIFICATION TAKES PRECEDENT.
 - TAPE & REEL INCLUDE VACUUM PICK-UP CAP FOR PICK 'N PLACE HANDLING EQUIPMENT.
 - PARTS IN TRAY PACKAGING ARE SUPPLIED WITHOUT VACUUM CAP.
 - POSITIONS PER ROW, SUBTRACT 1, MULTIPLY BY 2MM SPACING.
 - OPTIONAL LOCATOR POSTS: POSITIONS PER ROW, MULTIPLY BY 2MM SPACING, THEN SUBTRACT 4MM. POSTS ARE ONLY AVAILABLE FOR POSITIONS 08 AND GREATER.

3M ELECTRONICS MATERIALS SOLUTIONS DIVISION
 INTERCONNECT SOLUTIONS
<http://www.3mconnectors.com>

3M IS A TRADEMARK OF 3M COMPANY.
 FOR TECHNICAL, SALES OR ORDERING
 INFORMATION CALL 800-225-5373

UL **us**
 UL FILE NO: E68080

DIMENSIONS: MM (INCH)
 (INCH) FOR REF. ONLY

DESIGN REFERENCE	NEXT ASSEMBLY	REV	ECO	ISSUE DATE AND DESCRIPTION	DRFT	CHKD
				SEP 03, 2015 REDRAWN & REMOVED RIGHT ANGLE	JNC	ARM
APPROVED	DATE	DATE	DATE	DATE	DATE	DATE
CASTIGLIONE	SEP 03, 2015	MFG				
CHKD	DATE	APPRV	DATE	DATE	DATE	DATE
		G. MATHEWS	SEP 03, 2015			
DIVISION	DIVISION CODE	© 3M COPYRIGHT 2017				
	EMSD	This document and the information it contains are 3M property and may not be reproduced or further distributed without 3M permission, or used or disclosed other than for 3M authorized purposes. All rights reserved.				
DO NOT SCALE DRAWING	SCALE 6/1	TOLERANCES EXCEPT AS NOTED	3M Center St. Paul, MN 55144			
		INCHES	TITLE BOARDMOUNT SOCKET, 2MM X 2MM, STRAIGHT & SMT, PAC 20			
		.0 ± .1	CAGE NUMBER D78-5100-0519-8			
		.00 ± .01	REV. K			
		.000 ± .005	MODEL 1502			
		.0000 ± .0002	SHT 1 OF 4			
THIRD ANGLE PROJECTION	INTERPRET PER ASME Y14.5 - 2009	MILLIMETERS				
		0 ± .2				
		.0 ± .3				
		.00 ± .13				
		.000 ± .005				
MAX SURFACE ROUGHNESS	DTX SURFACES	ANGLES				

78-5100-0519-8
 DRAWING NUMBER
 K
 REVISION
 Standard Time 12/7/2017 UTC Offset

3M™ BOARDMOUNT SOCKET, 1502 SERIES
 2.00MM X 2.00MM STRAIGHT AND SURFACE MOUNT, PLATED THROUGH HOLE



CONTACT QTY.	DIM. "A"
04	3.96 [.156]
06	5.87 [.231]
08	7.87 [.310]
10	9.88 [.389]
12	11.86 [.467]
14	13.87 [.546]
16	15.88 [.625]
18	17.88 [.704]
20	19.86 [.782]
22	21.87 [.861]
24	23.88 [.940]
26	25.88 [1.019]
28	27.86 [1.097]
30	29.87 [1.176]
32	31.88 [1.255]
34	33.88 [1.334]
36	35.86 [1.412]
38	37.87 [1.491]
40	39.88 [1.570]
42	41.88 [1.649]
44	43.87 [1.727]
46	45.87 [1.806]
48	47.88 [1.885]
50	49.89 [1.964]
52	51.87 [2.042]
54	53.87 [2.121]
56	55.88 [2.200]
58	57.86 [2.278]
60	59.87 [2.357]

ORDERING INFORMATION
 STRAIGHT
 1502XX-600X-RB

CONTACT QTY.:
 SEE TABLE 1

SOLDER TAIL LENGTH:
 DIMENSION "B"
 1 = 1.4MM (SPECIAL ORDER)
 2 = 2.54MM (STANDARD)

DESIGN REFERENCE	NEXT ASSEMBLY	REV	ECO	ISSUE DATE AND DESCRIPTION	DRFT	CHKD
				SEP 03, 2015 REDRAWN & REMOVED RIGHT ANGLE	JNC	ARM
APPROVED	DATE	DATE	DATE	DATE	DATE	DATE
CASTIGLIONE	SEP 03, 2015	MFG				
CHKD	DATE	APPRV	DATE	DATE	DATE	DATE
		G. MATHEWS	SEP 03, 2015			
DIVISION	DIVISION CODE	© 3M COPYRIGHT 2017 This document and the information it contains are 3M property and may not be reproduced or further distributed without 3M permission, or used or disclosed other than for 3M authorized purposes. All rights reserved.				
DO NOT SCALE DRAWING	SCALE 6/1	TOLERANCES EXCEPT AS NOTED	3M 3M Center St. Paul, MN 55144			
THIRD ANGLE PROJECTION	INCHES: .00 ±.01, .000 ±.005, .0000 ±.0002	MILLIMETERS: 0 ±.2, .00 ±.13, .000 ±.005	TITLE: BOARDMOUNT SOCKET, 2MM X 2MM, STRAIGHT & SMT, PAC 20			
INTERPRET PER ASME Y14.5 - 2009	MAX SURFACE ROUGHNESS: .13	MARKED SURFACES: []	CAGE NUMBER	SIZE	DRAWING NO.	REV.
			D78-5100-0519-8	D	1502	K
			MODEL	1502	DET	1515
					YES	NO
					SHT 2	OF 4

78-5100-0519-8
 DRAWING NUMBER
 K
 REVISION
 Standard Time 12/7/2017 UTC Offset
 Imaged: K.3 Central

3M™ BOARDMOUNT SOCKET, 1502 SERIES
 2.00MM X 2.00MM STRAIGHT AND SURFACE MOUNT, PLATED THROUGH HOLE



RECOMMENDED PAD PATTERN
 (AS VIEWED FROM CONNECTOR SIDE)

CONTACT QTY.	DIM. "A"	TAPE WIDTH	ORDER CODE
04	3.96 [.156]	N/A	N/A
06	5.87 [.231]	N/A	N/A
08	7.87 [.310]	24 MM	WB
10	9.88 [.389]	24 MM	WB
12	11.86 [.467]	24 MM	WB
14	13.87 [.546]	24 MM	WB
16	15.88 [.625]	24 MM	WB
18	17.88 [.704]	44 MM	WD
20	19.86 [.782]	44 MM	WD
22	21.87 [.861]	44 MM	WD
24	23.88 [.940]	44 MM	WD
26	25.88 [1.019]	44 MM	WD
28	27.86 [1.097]	44 MM	WD
30	29.87 [1.176]	44 MM	WD
32	31.88 [1.255]	56 MM	WE
34	33.88 [1.334]	56 MM	WE
36	35.86 [1.412]	56 MM	WE
38	37.87 [1.491]	56 MM	WE
40	39.88 [1.570]	56 MM	WE
42	41.88 [1.649]	56 MM	WE
44	43.87 [1.727]	72 MM	WF
46	45.87 [1.806]	72 MM	WF
48	47.88 [1.885]	72 MM	WF
50	49.89 [1.964]	72 MM	WF
52	51.87 [2.042]	72 MM	WF
54	53.87 [2.121]	72 MM	WF
56	55.88 [2.200]	72 MM	WF
58	57.86 [2.278]	88 MM	WG
60	59.87 [2.357]	88 MM	WG

ORDERING INFORMATION
 SURFACE MOUNT
 1502XX-20X0-RB-XX

CONTACT QTY.:
 SEE TABLE 1

BOARD LOCATION POST:
 0 = NONE (STANDARD)
 2 = WITH BOARD LOCATION POSTS
 (SPECIAL ORDER)

PACKAGING STYLE:
 BLANK = TRAY PACKAGING
 WX = TAPE & REEL PACKAGING
 (SEE TABLE 1 FOR ORDERING CODE)

DESIGN REFERENCE	NEXT ASSEMBLY	REV	ECO	ISSUE DATE AND DESCRIPTION	DRFT	CHKD
				SEP 03, 2015		
APPROVED	DATE	APPRV	DATE	MFG DATE		
	SEP 03, 2015	G. MATHEWS	SEP 03, 2015			
DIVISION	DIVISION CODE	© 3M COPYRIGHT 2017 This document and the information it contains are 3M property and may not be reproduced or further distributed without 3M permission, or used or disclosed other than for 3M authorized purposes. All rights reserved.				
DO NOT SCALE DRAWING	SCALE 6/1	TOLERANCES EXCEPT AS NOTED INCHES: .0 ±.1 .00 ±.01 .000 ±.005 .0000 ±.0002 MILLIMETERS: 0 ±.2 .0 ±.13 .00 ±.005				
THIRD ANGLE PROJECTION	INTERPRET PER ASME Y14.5 - 2009	TITLE BOARDMOUNT SOCKET, 2MM X 2MM, STRAIGHT & SMT, PAC 20				
MAX SURFACE ROUGHNESS	MARKED ONLY	CAGE NUMBER	SIZE	DRAWING NO.	REV.	
		D	78-5100-0519-8	K		
		MODEL	1502	DET	ISTS	YES X NO
						SHT 3 OF 4


78-5100-0519-8
 K
 REVISION
 DRAWING NUMBER
 1502
 3M Center
 St. Paul,
 MN 55144
 © 3M COPYRIGHT 2017
 This document and the information it contains are 3M property and may not be reproduced or further distributed without 3M permission, or used or disclosed other than for 3M authorized purposes. All rights reserved.
 TITLE
 BOARDMOUNT SOCKET,
 2MM X 2MM, STRAIGHT &
 SMT, PAC 20
 CAGE NUMBER
 D
 78-5100-0519-8
 REV.
 K
 DET
 I
 S
 T
 S
 YES X NO
 SHT 3 OF 4

Technical Information: The technical information, recommendations and other statements contained in this document are based upon tests or experience that 3M believes are reliable, but the accuracy or completeness of such information is not guaranteed.

Product Use: Many factors beyond 3M's control and uniquely within user's knowledge and control can affect the use and performance of a 3M product in a particular application. Given the variety of factors that can affect the use and performance of a 3M product, user is solely responsible for evaluating the 3M product and determining whether it is fit for a particular purpose and suitable for user's method of application.

Warranty, Limited Remedy, and Disclaimer: Unless an additional warranty is specifically stated on the applicable 3M product packaging or product literature, 3M warrants that each 3M product meets the applicable 3M product specification at the time 3M ships the product. 3M MAKES NO OTHER WARRANTIES OR CONDITIONS, EXPRESS OR IMPLIED, INCLUDING, BUT NOT LIMITED TO, ANY IMPLIED WARRANTY OR CONDITION OF MERCHANTABILITY OR FITNESS FOR A PARTICULAR PURPOSE OR ANY IMPLIED WARRANTY OR CONDITION ARISING OUT OF A COURSE OF DEALING, CUSTOM OR USAGE OF TRADE. If the 3M product does not conform to this warranty, then the sole and exclusive remedy is, at 3M's option, replacement of the 3M product or refund of the purchase price.

Limitation of Liability: Except where prohibited by law, 3M will not be liable for any loss or damage arising from the 3M product, whether direct, indirect, special, incidental or consequential, regardless of the legal theory asserted, including warranty, contract, negligence or strict liability.

DESIGN REFERENCE		NEXT ASSEMBLY		REV	ECO	ISSUE DATE AND DESCRIPTION		DRFT	CHKD
K 63282		SEP 03, 2015				REDRAWN & REMOVED RIGHT ANGLE		JNC	ARM
DRAWING NUMBER		DATE		DRFT	ECO	ISSUE DATE AND DESCRIPTION		DRFT	CHKD
78-5100-0519-8		SEP 03, 2015		CASTIGLIONE					
DIVISION		DIVISION CODE		CHKD	DATE	APPR	DATE		
EMSD		EMSD			SEP 03, 2015	G. MATHEWS	SEP 03, 2015		
DO NOT SCALE DRAWING		SCALE 1/1		TOLERANCES EXCEPT AS NOTED		 © 3M COPYRIGHT 2017 This document and the information it contains are 3M property and may not be reproduced or further distributed without 3M permission, or used or disclosed other than for 3M authorized purposes. All rights reserved.			
THIRD ANGLE PROJECTION		INCHES		MILLIMETERS		TITLE BOARDMOUNT SOCKET, 2MM X 2MM, STRAIGHT & SMT, PAC 20			
INTERPRET PER ASME Y14.5 - 2009		.0 ± .1 .00 ± .01 .000 ± .005 .0000 ± .0002		0 ± 2 0 ± 3 .00 ± .13 .000 ± .005		CAGE NUMBER		DRAWING NO.	
MAX SURFACE ROUGHNESS		.00 ± .13 .000 ± .005		1502		D 78-5100-0519-8		REV. K	
MARKED ONLY		ANGLES		MODEL		DET		SHT 4 OF 4	

78-5100-0519-8 DRAWING NUMBER
 K REVISION
 Standard Time 12/7/2017 UTC Offset